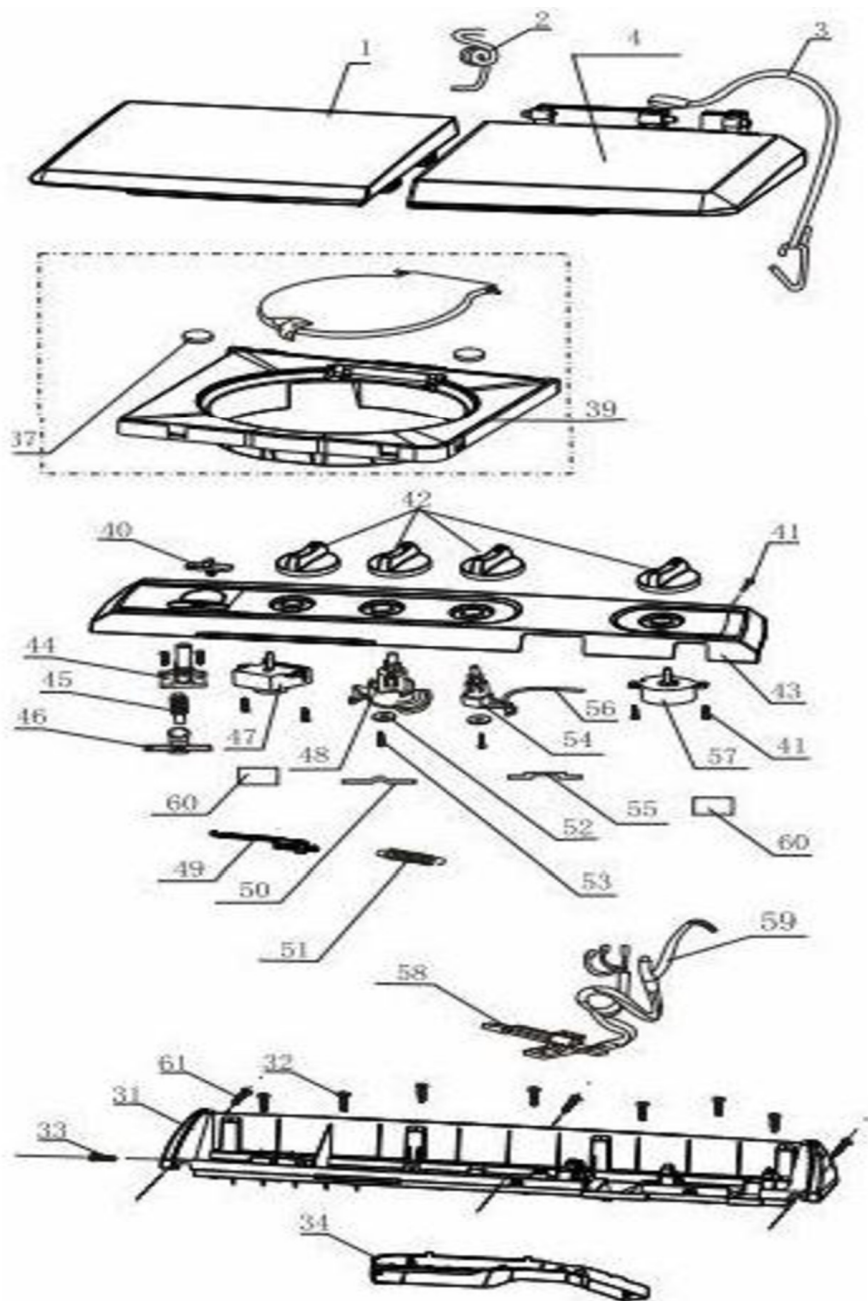


Distribuidor Autorizado

SurteRápido.com

Venta de Refacciones
Electrodomesticas

Lavadora Mabe LED1641B0

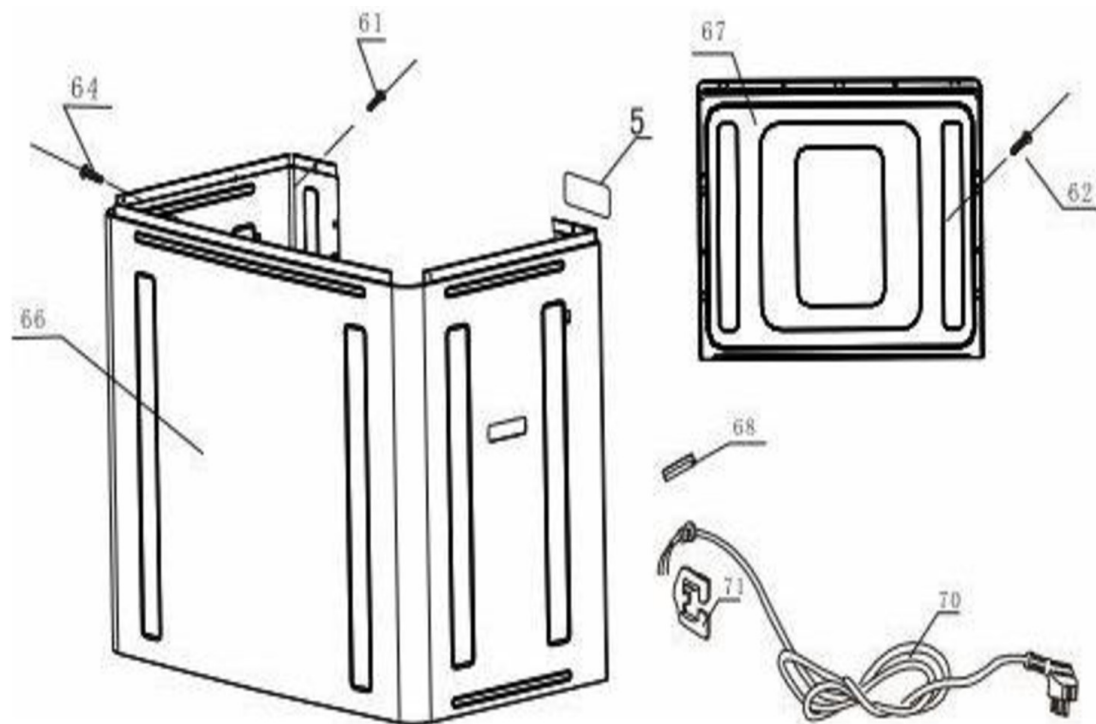


Distribuidor Autorizado

SurteRápido.com

Venta de Refacciones
Electrodomesticas

Lavadora Mabe LED1641B0

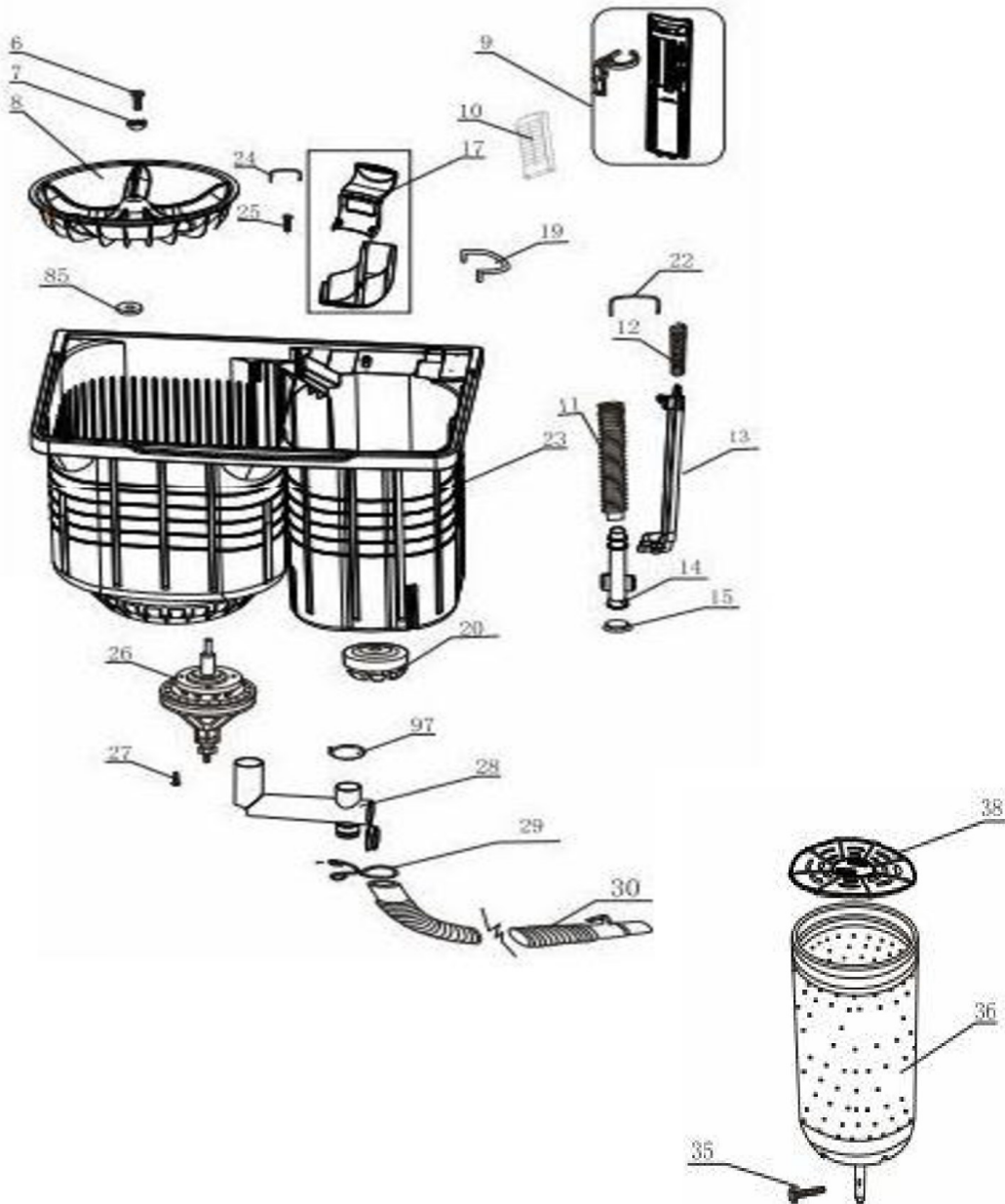


Distribuidor Autorizado

SurteRápido.com

Venta de Refacciones
Electrodomesticas

Lavadora Mabe LED1641B0

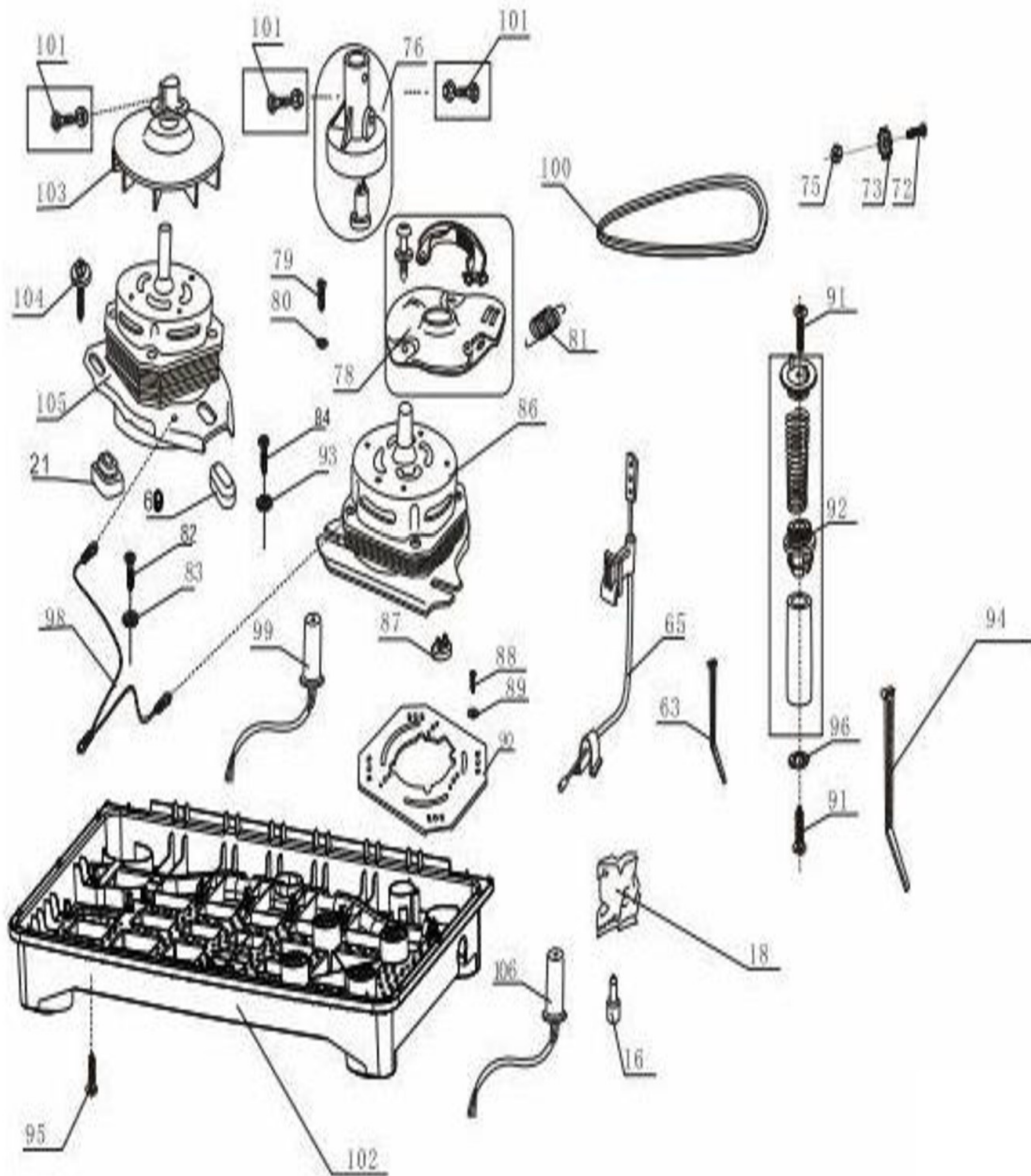


Distribuidor Autorizado

SurteRápido.com

Venta de Refacciones
Electrodomesticas

Lavadora Mabe LED1641B0



Distribuidor Autorizado

SurteRápido.com

Venta de Refacciones
Electrodomesticas



Lavadora Mabe LED1641B0

Guía	Componente	Descripción
1	0030806796H	WASH TUB COVER
2	30100890	KICK SPRING
3	330029007	BRAKE PULLBACK BAND COMPONENT
4	0030806795H	SPIN TUB COVER
5	30508406	NAMEPLATE
6	30600056	PULSATOR FASTEN BOLT
7	330303505	RONDANA DENTADA
8	0030202448A	PULSATOR
9	00330802005A	TORNILLO AUTORROSCANTE
10	30100913	SPING
11	330503500	MICROSWITCH
12	330501008	TEMPORIZADOR
13	330312502	LOCATING PLATE SPRING
14	330109018	SELECTOR CAM
15	330101096	EXPANDING GASKET
16	00330802025A	TORNILLO AUTORROSCANTE
17	0030806099C	VALVE COVER
18	330603505	SMALL PULLBACK SPRING
19	30100931	SUJETADOR
20	330041006	BARING SEAT COMPONENT A
21	330105504	CRIMP BUSHING
22	30400585	WIRE UNIT
23	30204239	TWIN TUB
24	30204380	LINT FILTER
25	30204241	CONTROL PANNEL SEAT
26	30805956	SPIN TUB
27	30204246	F WATER PIPE

Distribuidor Autorizado

SurteRápido.com

Venta de Refacciones
Electrodomesticas



Lavadora Mabe LED1641B0

Guía	Componente	Descripción
28	330101258	PRESS COVER
29	30508417	CONTROL PANEL COMPONENT
30	30806105	DRAIN HOSE COMPONENT
31	30806098	OVERFLOW FILTER COMPONENT
32	30204332	WATER ENTRANCE
33	00330802071A	FASTENING SCREW
34	30204245	WATER GROOVE
35	30600196	FASTENING SCREW
36	330602027	DRAIN HOSE CLAMP
37	30300094	SMALL BLOCK
38	330201053	HOJA DE LA VÃLVULA
39	30805959	SPIN TUB FRAME
40	30200589	WATER-FILLING CONTROL ROD
41	00330802062A	TORNILLO AUTORROSCANTE
42	30204252	KNOB
43	330303028	CUBIERTA PROTECTORA
44	30805911	RETARDER COMPONENT
45	30203170	WATER-FILLING PIPE
46	330109032	SLIDE BLOCK
47	00330501018A	TEMPORIZADOR DE LAVADO
48	330810009	TAPPING SCREW
49	30204254	CONNECTING ROD
50	330206507	SHOCK PAD(UPPER)
51	00330802514A	TAPPINGSREW
52	330206506	SHOCK PAD(LOWER)
53	330806003	GASKET
54	30204253	SELECTOR CAM

Distribuidor Autorizado

SurteRápido.com

Venta de Refacciones
Electrodomesticas



Lavadora Mabe LED1641B0

Guía	Componente	Descripción
55	30100891	LOCATING PLATE SPRING
56	30204256	DRAIN PULLBACK BAND COMPONENT
57	00330106005A	SAFEGUARD BAG
58	330804001	EARTHING SCREW
60	30204412	WATERPROOF
61	00330802008A	TAPPING SCREW
62	00330802001A	TAPPING SCREW
63	330105500	LOCKING BELT
64	330603013	PEQUEÑO MUELLE DE EMPUJE
65	330028011	BRAKE HINGE COMPONENT
66	30100899	CABINET
68	330101894	CABINET HANDLE
69	00330812043A	TAPPINGSCREW
70	330502656	POWER CORD
71	30806350	DAMPING SPRING COMPONENT
72	330820004	ARANDELA DEL MUELLE
73	00330802017A	TAPPINGSCREW
74	30808291	MANUL
75	330804002	NUT
76	30100193	BRAKE WHEEL COMPONENT
77	30508405	PACKING BOX
78	30100916	ROD
79	330308502	POWER CORD CLAMP
80	30204249	CORRUGATION PIPE
81	30204337	PULL POLE
82	30204334	VALVE BODY
83	30300399	VALVE AIRPROOF GASKET

Distribuidor Autorizado

SurteRápido.com

Venta de Refacciones
Electrodomesticas



Lavadora Mabe LED1641B0

Guía	Componente	Descripción
84	30100917	ROD
85	330401008	RADIATING PULLEY
86	0034000974A	SPIN MOTOR COMPONENT
87	333101008	MOTOR INSULATION SEAT
88	330812071	SCREW
89	30801588	BRAKE PANEL
90	330301130	FASTENING PANNEL
91	30400525	WIRE
92	00330812061A	PERNO
94	330829001	LOCKING BELT
95	00330802095A	FASTENING SCREW
96	30200752	RONDANA
99	0034200009A	CAPACITOR DE LAVADO
100	30800562	BELT
102	30204238	BASE FRAME
105	34000250	WASH MOTOR COMPONENT
106	330506532	CAPACITOR
106	34200055	CAPACITOR