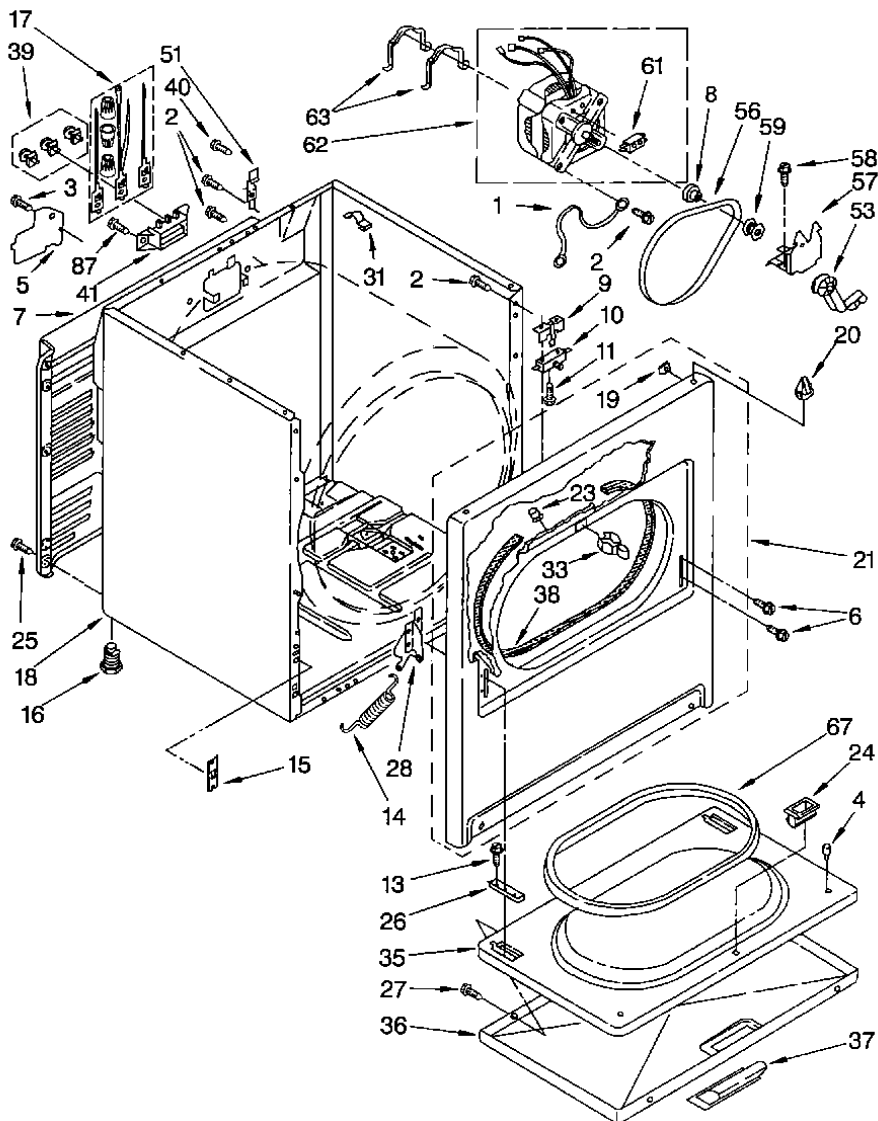


Distribuidor Autorizado

SurteRápido.com

Venta de Refacciones
Electrodomesticas

LEP6848AN0 GABINETE





LEP6848ANO GABINETE

1	690236	WIRE, GROUND (S/P)
2	343641	SCREW, 10-16 X 1/2 (S/P)
3	693995	SCREW, 10-16 X 1/2 DESCONTINUADO
4	238614	BUMPER (S/P)
5	3396795	COVER, BLOCK (S/P)
6	342043	SCREW, 10-32 X 1/2 (S/P)
7	348364	PANEL, REAR DESCONTINUADO
8	3393657	RESTRAINER, BELT (S/P)
9	691581	LEVER, DOOR SWITCH
10	279347	SWITCH, DOOR
11	98129	SCREW, 6-20 X 1-3/8 (S/P)
13	3357011	SCREW, 10-16 X 1/2 (S/P)
14	692495	SPRING, DOOR (2) (S/P)
15	3394083	CLIP, FRONT PANEL (2)
16	3392100	FOOT, DRYER (4)
17	279318	TERMINAL, TINNED & BRASS (3) (S/P)
18	3406813	CABINET (ALMOND) (S/P)
18	3406812	CABINET (WHITE) (S/P)
19	98234	CLIP, GROUND (S/P)
20	18776	LOCK, FRONT TOP (2)
21	279444	PANEL, FRONT (ALMOND) (S/P)
21	279443	PANEL, FRONT (WHITE) (S/P)
23	279220	CLIP, FELT PAD (3) (S/P)
24	279570	CATCH, DOOR ASSEMBLY
25	693994	SCREW, HEX WASHER HEAD (5) (S/P)
26	337189	CLIP, HINGE (2) (S/P)
27	694091	SCREW (6) (S/P)
28	8066056	HINGE, R.H. (S/P)
28	8066057	HINGE, L.H. (S/P)
31	98997	CLIP, HARNESS (S/P)
33	279570	STRIKE, DOOR

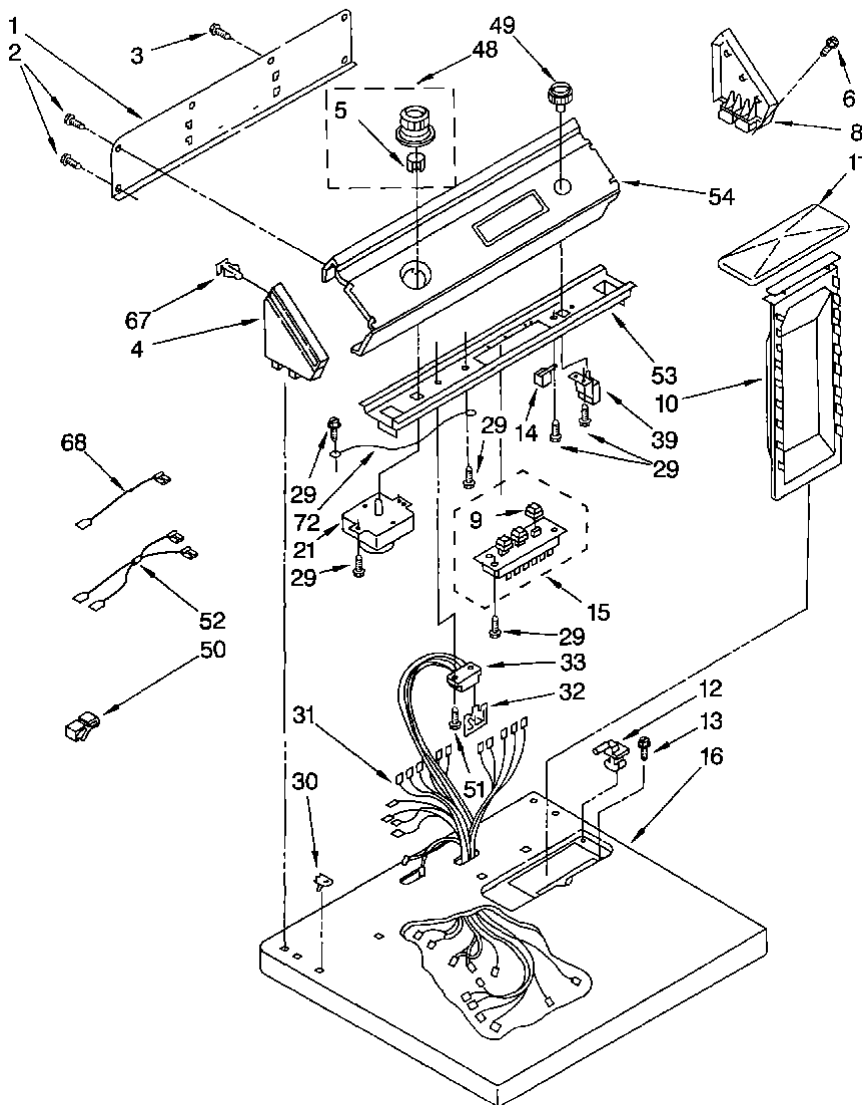
35	695737	DOOR, REAR (S/P)
36	3393550	DOOR, FRONT (ALMOND) (S/P)
36	3393549	DOOR, FRONT (WHITE) (S/P)
37	690270	HANDLE, DOOR (WHITE) (S/P)
37	690271	HANDLE, DOOR (ALMOND) (S/P)
38	692493	SEAL & BEARING ASSEMBLY
39	279393	TERMINAL BLOCK KIT (S/P)
40	697776	SCREW, 10-16 X 1/2 (S/P)
41	690261	BLOCK, TERMINAL (S/P)
51	238088	HINGE, TOP (2) (S/P)
53	691366	IDLER & PULLEY ASSEMBLY
56	660996	BELT, DRIVE
57	348780	BASE, MOTOR (S/P)
58	172455	BOLT, 5/16-18 X 3/4 (S/P)
59	3389627	PULLEY, 60 HZ. (S/P)
61	3388235	SWITCH (USE W/3391888 MOTOR) (S/P)
62	3391888	MOTOR ASSEMBLY 60 HZ.
63	660658	CLAMP, MOTOR (2) (S/P)
67	3390731	SEAL, DOOR
87	3393008	SCREW, 10-16 X 1/2 (S/P)

Distribuidor Autorizado

SurteRápido.com

Venta de Refacciones
Electrodomesticas

LEP6848AN0 TABLERO





LEP6848AN0 TABLERO

1	3397545	PANEL, REAR CONSOLE (S/P)
2	693994	SCREW, HEX HEAD (S/P)
3	693995	SCREW, HEX HEAD DESCONTINUADO
4	285846	CAP, END (L.H.) (WHITE)
4	285848	CAP, END (L.H.) (ALMOND) (S/P)
5	688805	CLIP (S/P)
6	3353145	SCREW, CONSOLE (S/P)
8	285846	CAP, END (R.H.) (WHITE)
8	285848	CAP, END (R.H.) (ALMOND) (S/P)
9	3359137	PUSHBUTTON (S/P)
10	349639	SCREEN, LINT
11	697368	COVER, LINT SCREEN (ALMOND) (S/P)
11	697367	COVER, LINT SCREEN (WHITE) (S/P)
12	3978605	HINGE, R.H. (S/P)
12	3978606	HINGE, L.H. (S/P)
13	688983	SCREW, 8-15 X 5/8 (S/P)
14	694419	BUZZER, MINI (S/P)
15	3396240	SWITCH, 3-POSITION TEMPERATURE (S/P)
16	8530642	TOP (WHITE) (S/P)
16	3396023	TOP (ALMOND) (S/P)
21	3397273	TIMER, 60 HZ.
29	3390646	SCREW, MOUNTING (8-18 X 5/16) (S/P)
30	357213	NUT, PUSH-IN (2) (S/P)
31	3396231	HARNESS, WIRING DESCONTINUADO
32	8558178	CONTROL, ELECTRONIC (S/P)
33	3391885	CONNECTOR, EDGE (S/P)
39	3395395	SWITCH, PUSH-TO-START
48	3957752	TIMER KNOB ASSEMBLY (S/P)
49	8271343	KNOB, PUSH TO START (S/P)
50	689180	CLIP, RETAINER DESCONTINUADO
51	343641	SCREW, 10-16 X 1/2 (S/P)

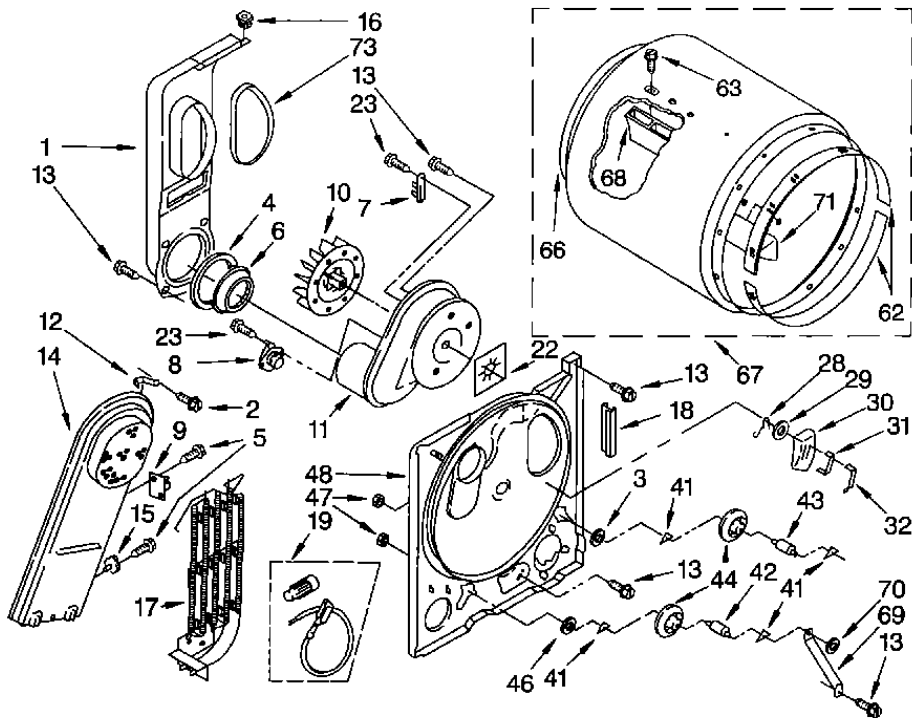
52	3396033	WIRE, JUMPER (SIGNAL BYPASS) (S/P)
53	8054300	BRACKET, CONTROL (S/P)
54	3398511	PANEL, CONTROL (WHITE) (S/P)
54	3398512	PANEL, CONTROL (ALMOND) (S/P)
67	689559	NUT, PUSH-ON (4) (S/P)
68	3393812	WIRE, JUMPER (BLUE) (S/P)
68	3393811	WIRE, JUMPER (VIOLET) (S/P)
72	690853	WIRE, GROUND (S/P)

Distribuidor Autorizado

SurteRápido.com

Venta de Refacciones
Electrodomesticas

LEP6848A0 TAMBOR





LEP6848AN0 TAMBOR

1	3396352	LINT CHUTE ASSEMBLY (S/P)
2	687128	SCREW, 10-16 X 1/2 (S/P)
3	3388703	WASHER-SUPPORT (S/P)
4	347139	SEAL, LINT CHUTE (S/P)
5	90767	SCREW, 8A X 3/8 (S/P)
6	696302	SHIELD, EXHAUST (S/P)
7	3392519	FUSE, THERMAL
8	3387134	THERMOSTAT, INTERNAL-BIAS
9	279769	THERMAL, CUT-OFF
10	694089	WHEEL, BLOWER (INCLUDES ILLUS. NO. 22)
11	8577230	HOUSING, BLOWER (S/P)
12	279771	CLIP (S/P)
13	343641	SCREW, 10-16 X 1/2 (S/P)
14	695547	BOX, HEATER (S/P)
15	279769	THERMOSTAT, 250~F (121.1~C)
16	98460	NUT, PUSH-IN (2) (S/P)
17	4391960	ELEMENT, HEATER (S/P)
18	686889	PAD, CABINET (S/P)
19	279457	WIRE KIT, TERMINAL (S/P)
22	3394196	SEAL, BLOWER (S/P)
23	695239	SCREW, 8-18 X 3/8 (S/P)
28	342267	CLIP, SENSOR (S/P)
29	298877	WASHER, INSULATING (S/P)
30	279366	PAD, SENSOR
31	348859	ELECTRODE, INSIDE (S/P)
32	348860	ELECTRODE, OUTSIDE (S/P)
41	690997	RING, TRI (S/P)
42	3399506	SHAFT, L.H. (S/P)
43	339489	SHAFT, R.H.
44	349241	ROLLER, SUPPORT
46	348197	WASHER, SUPPORT (S/P)

47	3359452	NUT, 3/8-16 (S/P)
48	279799	BULKHEAD (S/P)
62	279441	RING, BEARING
63	97787	SCREW, 11-16 X 7/8 (S/P)
66	279408	SEAL, REAR DRUM
67	695587	DRUM ASSEMBLY (S/P)
68	692490	BAFFLE, DRUM (2) (S/P)
69	3976434	BRACKET, SUPPORT (S/P)
70	90296	CLIP (S/P)
71	3403636	BAFFLE, DRUM (1) (S/P)
73	339956	SEAL (S/P)