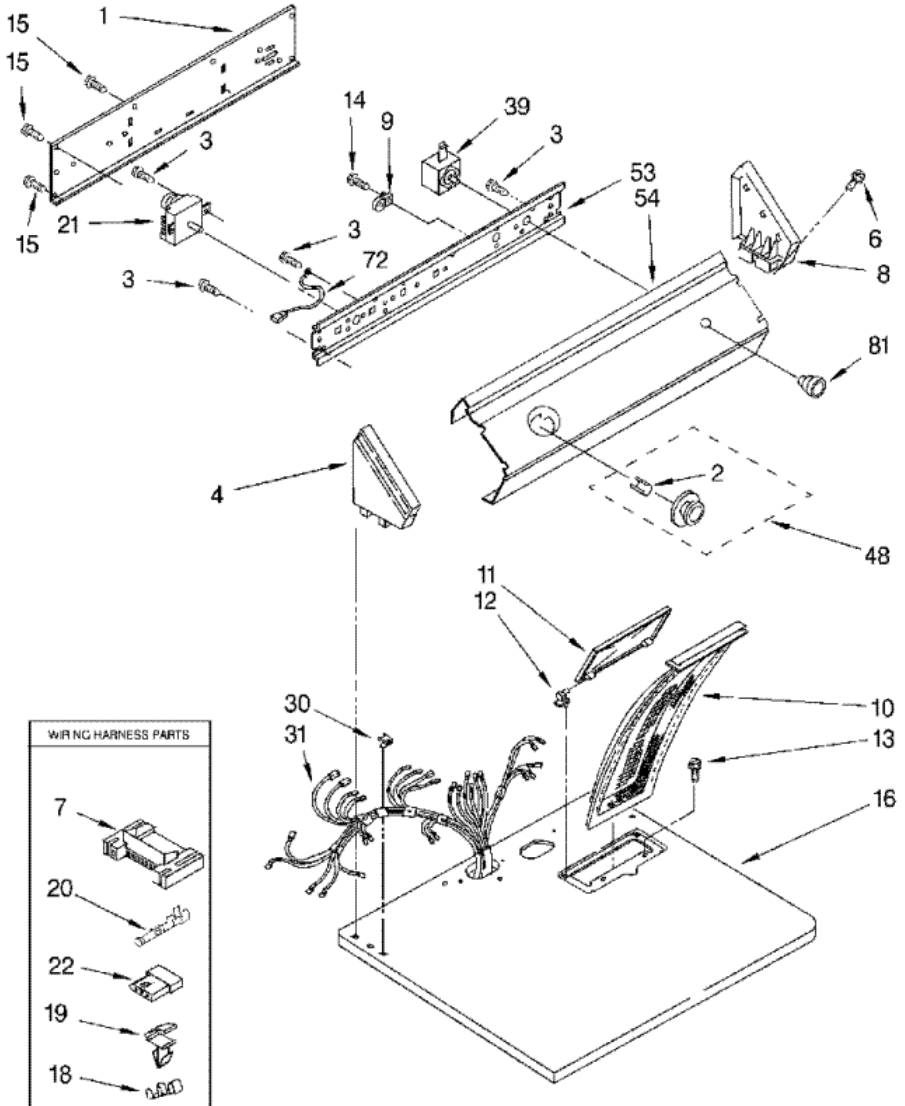


Distribuidor Autorizado

SurteRápido.com

Venta de Refacciones
Electrodomesticas

LER4634BQ2 TABLERO





LER4634BQ2 TABLERO

1	3397545	PANEL, REAR CONSOLE (S/P)
2	688805	CLIP (S/P)
3	3390646	SCREW, 8-18 X 5/16 (S/P)
4	285846	CAP, END (L.H.)
6	388326	SCREW, CONSOLE (S/P)
7	3395683	HOUSING, CONNECTOR (MOTOR) (S/P)
8	285846	CAP, END (R.H.)
9	279872	RESISTOR
10	339392	SCREEN, LINT
11	697367	COVER, LINT SCREEN (WHITE) (S/P)
12	3978605	HINGE, R.H. (S/P)
12	3978606	HINGE, L.H. (S/P)
13	688983	SCREW, 8-18 X 5/8 (S/P)
14	3390647	SCREW, 8-18 X 1/2 (S/P)
15	693995	SCREW, HEX HEAD (S/P)
16	8530642	TOP (WHITE) (S/P)
18	357572	CLIP, GROUNDING (S/P)
19	3394427	CLIP, HARNESS (S/P)
20	94614	TERMINAL (S/P)
21	3976569	TIMER, 60 HZ.
22	353424	CONNECTOR, 3-CIRCUIT (S/P)
30	357213	NUT, PUSH-IN (2) (S/P)
31	3399651	HARNESS, WIRING (S/P)
39	3395382	SWITCH, PUSH-TO-START
48	3957752	TIMER KNOB ASSEMBLY (S/P)
53	8054298	BRACKET, CONTROL DESCONTINUADO
54	3399022	PANEL, CONTROL (S/P)
72	690853	WIRE, GROUND (S/P)
81	3406133	KNOB, PUSH TO START



LER4634BQ2 GABINETE

2	3393008	SCREW, 10-16 X 1/2 (S/P)
5	3396795	COVER, TERMINAL BLOCK (S/P)
6	694091	SCREW (S/P)
7	280040	PANEL, REAR (S/P)
9	342055	SCREW, 8-15 X 1/2 (S/P)
10	279347	SWITCH, DOOR
11	98129	SCREW, 6-20 X 1-3/8 (2) (S/P)
12	691581	LEVER, DOOR SWITCH
13	693995	SCREW, REAR PANEL MOUNTING (S/P)
16	279810	FOOT-OPTIONAL (S/P)
16	3392100	FOOT, DRYER
17	343641	SCREW, 10-16 X 1/2 (S/P)
18	3399580	CABINET (WHITE) (S/P)
19	98234	CLIP, GROUND (S/P)
20	18776	LOCK, FRONT TOP (2)
21	279745	UPPER FRONT PANEL ASSEMBLY (WHITE) (S/P)
22	238614	BUMPER (S/P)
23	279220	CLIP, FELT PAD (S/P)
24	279570	CATCH, DOOR
28	3405514	HINGE & PIN ASSEMBLY (S/P)
29	3394083	CLIP, FRONT PANEL (2)
33	279570	STRIKE, DOOR
35	3402206	DOOR, REAR (S/P)
36	3402204	DOOR, FRONT (WHITE) (S/P)
37	3405184	HANDLE, DOOR (WHITE) (S/P)
38	279264	SEAL & BEARING ASSEMBLY
40	279393	TERMINAL BLOCK KIT FOR TERMINAL BLOCK (S/P)
41	3397659	BLOCK, TERMINAL (S/P)
51	8066217	HINGE, TOP (2) (S/P)
53	691366	IDLER & PULLEY ASSEMBLY
56	341241	BELT, DRIVE
57	348780	BASE, MOTOR (S/P)
58	3400500	BOLT, 5/16-18 X 3/4 (S/P)

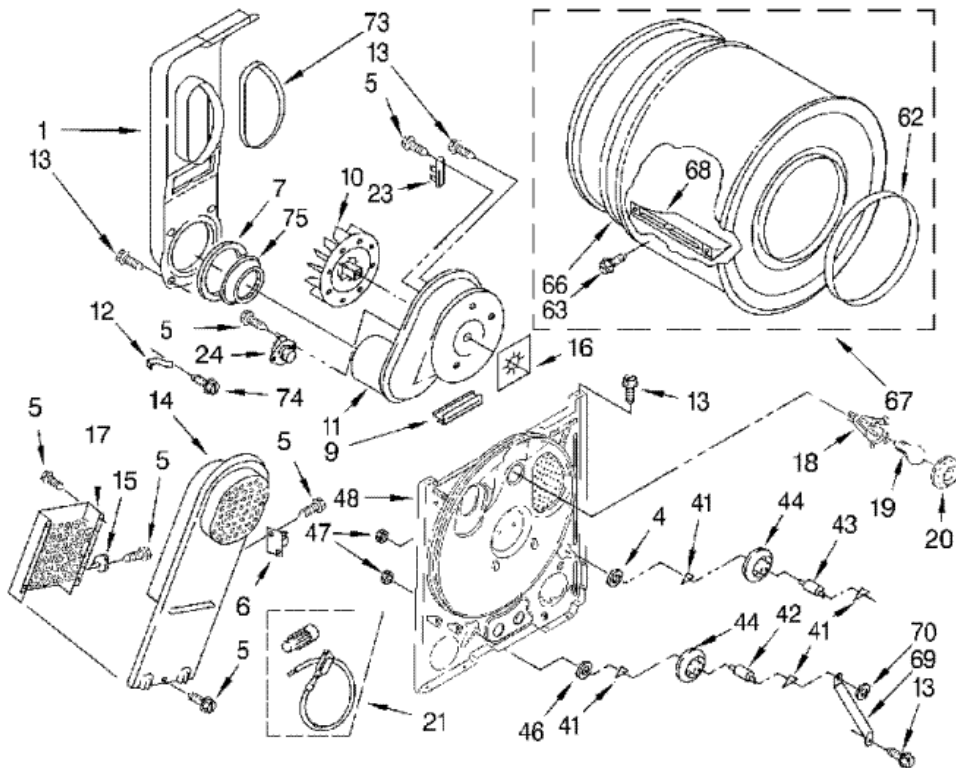
59	3394341	PULLEY, 60 HZ. (S/P)
62	279827	MOTOR ASSEMBLY 60 HZ.
63	343481	CLAMP, MOTOR
64	3404162	CLAMP, MOTOR (W/SHIELD) (S/P)
67	3390733	SEAL, DOOR
87	697776	SCREW, 10-32 X 1/2 (EXTERNAL GROUND) (S/P)
90	279318	TERMINAL, TINNED & BRASS (3) (S/P)

Distribuidor Autorizado

SurteRápido.com

Venta de Refacciones
Electrodomesticas

LER4634BQ2 TAMBOR





LER4634BQ2 TAMBOR

1	279505	LINT CHUTE, ASSEMBLY
4	3388703	WASHER, SUPPORT (S/P)
5	90767	SCREW, 8 X 3/8 (S/P)
6	279816	THERMAL CUT-OFF (S/P)
7	347139	SEAL, LINT CHUTE (S/P)
9	786068	PAD, BLOWER HOUSING (S/P)
10	694089	WHEEL, BLOWER
11	8577230	HOUSING, BLOWER (S/P)
12	279771	CLIP (S/P)
13	343641	SCREW, 10-16 X 1/2 (S/P)
14	3397566	BOX, HEATER
15	279769	THERMOSTAT, HIGH LIMIT 250~F (121.1~C) (60 HZ.)
16	3394196	SEAL, BLOWER SHAFT (S/P)
17	279838	ELEMENT, HEATER (FOR 240 VOLT INSTALLATION)
18	691034	SOCKET ASSEMBLY (S/P)
19	311255	BULB (S/P)
20	341165	LENS, DRUM LIGHT DESCONTINUADO
21	279457	WIRE KIT (S/P)
23	3392519	FUSE, THERMAL
24	3387134	THERMOSTAT, INTERNAL-BIAS
41	690997	RING, TRI (S/P)
42	3399506	SHAFT, L.H.
43	339489	SHAFT, R.H.
44	349241	ROLLER, SUPPORT
46	348197	WASHER, SUPPORT (S/P)
47	3359452	NUT, 3/8-16 (S/P)
48	279794	BULKHEAD (S/P)
62	3394509	RING, BEARING
63	97787	SCREW, 11-16 X 7/8 (S/P)
66	239087	SEAL, REAR DRUM
67	697760	DRUM ASSEMBLY (S/P)
68	342847	BAFFLE, DRUM (S/P)
69	3976435	BRACKET, SUPPORT (S/P)

70	90296	CLIP (S/P)
73	339956	SEAL (S/P)
74	3400800	SCREW, 10-16 X 1/2 (S/P)
75	696302	SHIELD, EXHAUST (S/P)