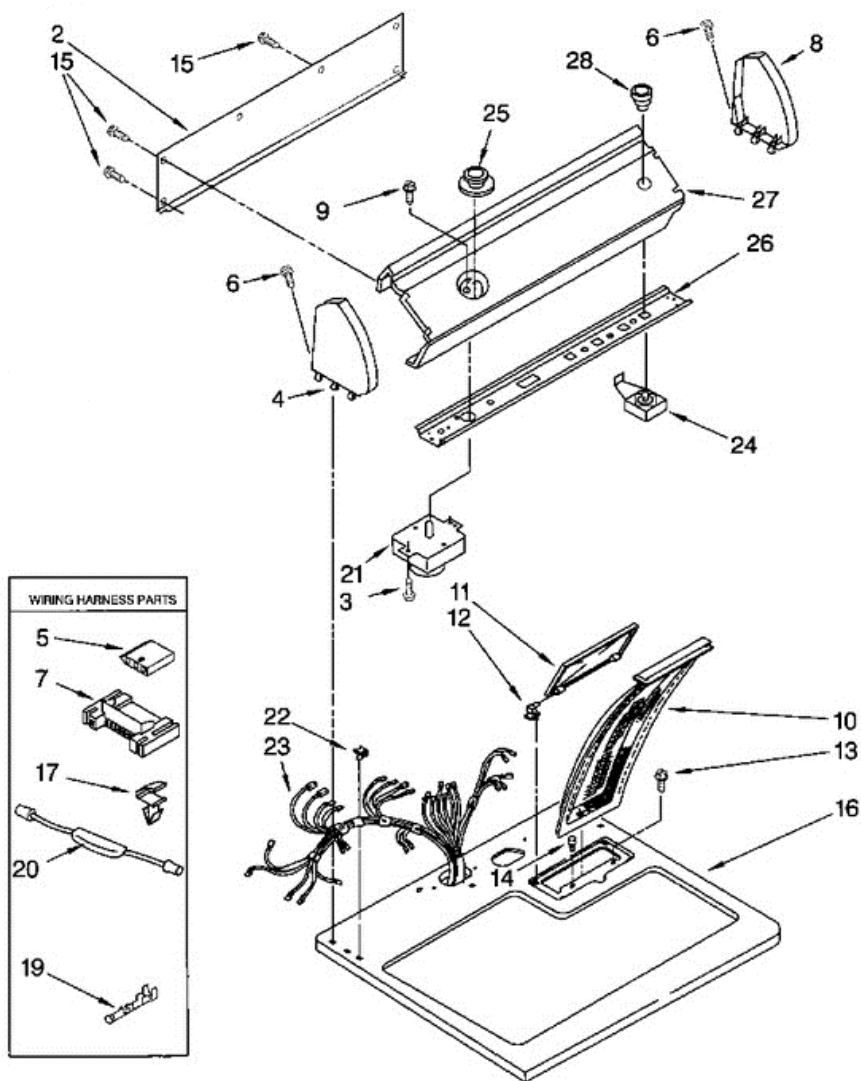


Distribuidor Autorizado

SurteRápido.com

Venta de Refacciones
Electrodomesticas

LER4634JQ0 TABLERO





LER4634JQ0 TABLERO

2	8274261	PANEL, REAR CONSOLE
3	3390646	SCREW, 8-18 X 5/16
4	8271365	CAP, END (L.H.) (WHITE)
4	8271366	CAP, END (L.H.) (ALMOND)
4	8271368	CAP, END (L.H.) (BISCUIT)
5	3936144	CONNECTOR
6	388326	SCREW, CONSOLE
7	3395683	HOUSING, CONNECTOR (MOTOR)
8	8271359	CAP, END (R.H.) (WHITE)
8	8271360	CAP, END (R.H.) (ALMOND)
8	8271362	CAP, END (R.H.) (BISCUIT)
9	3400859	SCREW, GROUNDING
10	339392	SCREEN, LINT
11	8283378	COVER, LINT SCREEN (WHITE)
11	8283379	COVER, LINT SCREEN (ALMOND)
11	8283380	COVER, LINT SCREEN (BISCUIT)
12	3978605	HINGE, R.H.
12	3978606	HINGE, L.H.
13	688983	SCREW, 8-18 X 5/8
14	297535	BUMPER, LINT LID
15	693995	SCREW, HEX HEAD
16	8271390	TOP (WHITE)
16	8271391	TOP (ALMOND)
16	8271392	TOP (BISCUIT)
17	3394427	CLIP-HARNESS
19	94614	TERMINAL (FEMALE)
20	3401076	RESISTOR ASSEMBLY
21	3976584	TIMER, 60 HZ.
22	357213	NUT, PUSH-IN (2)
23	3394290	HARNESS, WIRING
24	3395382	SWITCH, PUSH-TO-START
25	8271404	TIMER KNOB ASSEMBLY (BISCUIT)
25	8312687	TIMER KNOB ASSEMBLY (WHITE)

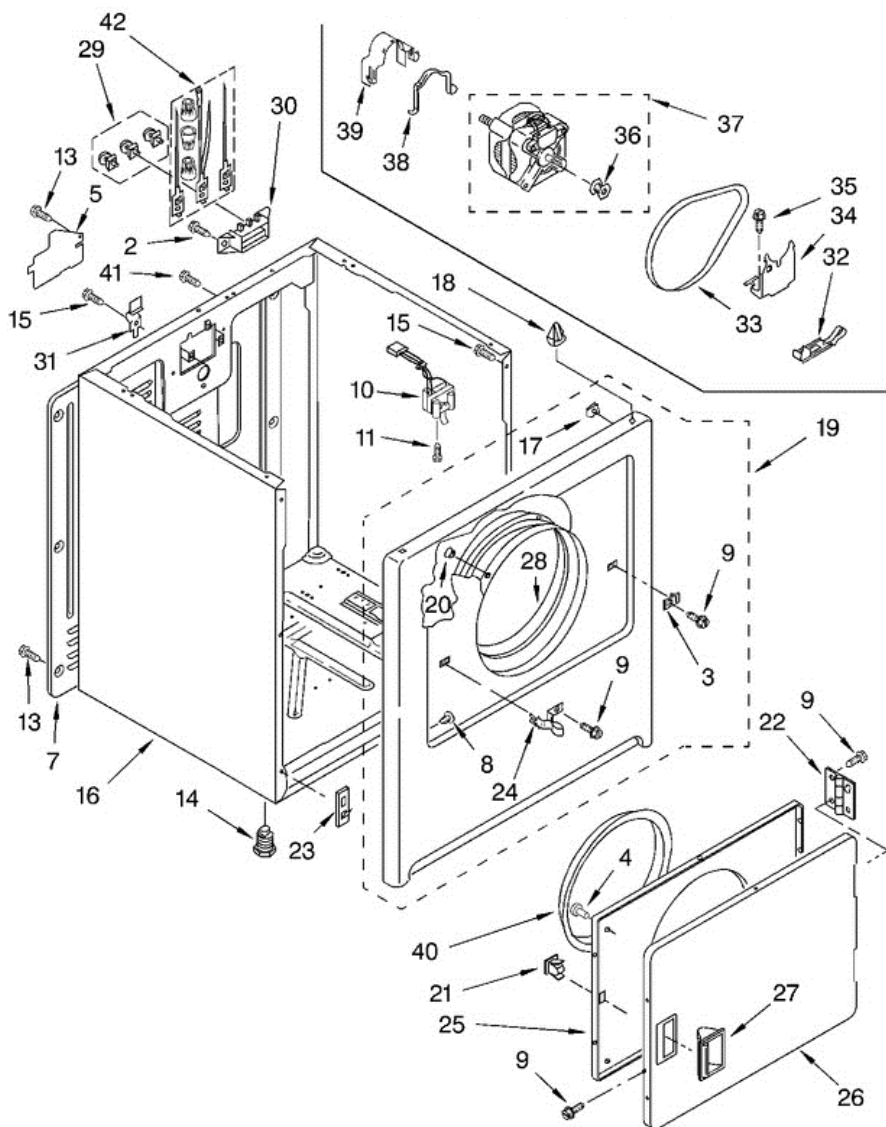
25	8312688	TIMER KNOB ASSEMBLY (ALMOND)
26	8271418	BRACKET, CONTROL
27	3977815	PANEL, CONTROL (WHITE)
27	3977816	PANEL, CONTROL (BISCUIT)
27	3977836	PANEL, CONTROL (ALMOND)
28	350930	PAINT, PRESSURIZED SPRAY 12 OZ.) (WHITE)
28	350938	PAINT, PRESSURIZED SPRAY (12 OZ.) (GREY)
28	350956	PAINT, SPRAY 13 OZ. (ALMOND)
28	4392899	BISCUIT
28	4392900	PAINT, BULK (1 QT.) (BISCUIT (UNCUT))
28	4392901	PAINT, PRESSURIZED SPRAY (12 OZ.) (BISCUIT)
28	72017	PAINT, TOUCH-UP (1/2OZ.) (WHITE)
28	72107	PAINT, TOUCH-UP (1/2OZ.) (ALMOND)
28	799344	PAINT, BULK (1 QT.) (WHITE (UNCUT))
28	8271341	KNOB, PUSH TO START (WHITE)
28	8271342	KNOB, PUSH-TO-START (ALMOND)
28	8271349	KNOB, PUSH TO START (BISCUIT)
28	978883	ALMOND (UNCUT)

Distribuidor Autorizado

SurteRápido.com

Venta de Refacciones
Electrodomesticas

LER4634JQ0 GABINETE



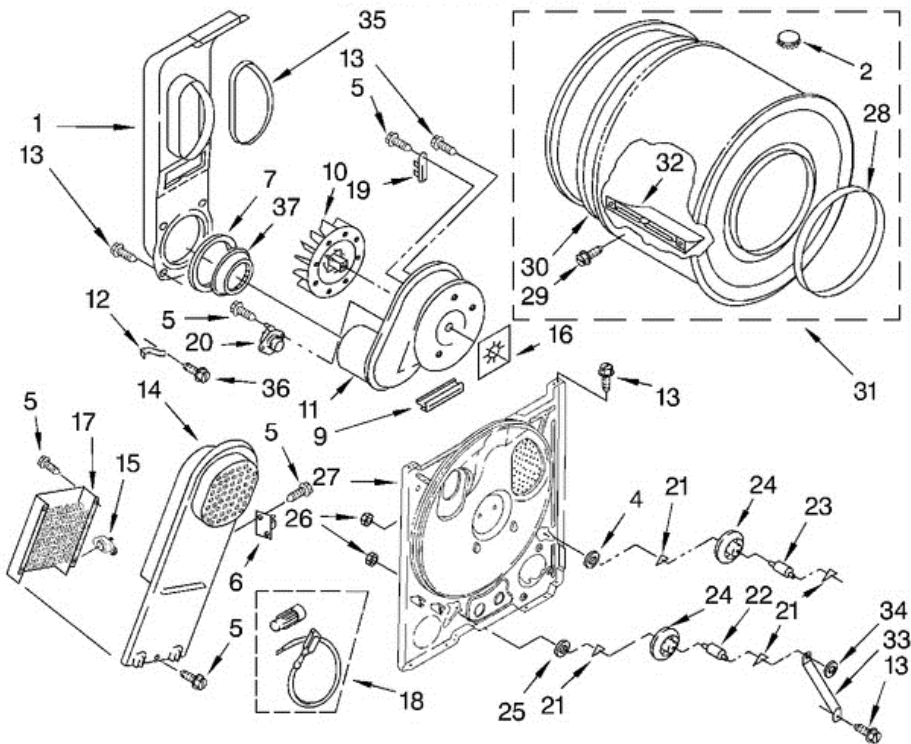


LER4634JQ0 GABINETE

2	3393008	SCREW, 10-16 X 1/2
3	3403630	PLUG, STRIKE HOLE (WHITE)
3	3403631	PLUG, STRIKE HOLE (ALMOND)
3	3403632	PLUG, STRIKE HOLE (BISCUIT)
4	238614	BUMPER
5	3396795	COVER, TERMINAL BLOCK
7	3396807	PANEL, REAR
8	3404413	PLUG, HINGE HOLE (4) (WHITE)
8	3404414	PLUG, HINGE HOLE (4) (ALMOND)
8	3404415	PLUG, HINGE HOLE (4) (BISCUIT)
9	342055	SCREW, 8-18 X 1/2
10	3406104	DOOR SWITCH ASSEMBLY
11	697773	SCREW, 6-20 X 7/8 (2)
13	693995	SCREW, REAR PANEL MOUNTING
14	279810	FOOT-OPTIONAL
14	3392100	FOOT, DRYER
15	343641	SCREW, 10-16 X 1/2
16	3399580	CABINET (INCLUDES 5, 7, 16, 29, 41 & 57) (WHITE)
16	3399581	CABINET (INCLUDES 5, 7, 16, 29, 41 & 57) (ALMOND)
16	3399596	CABINET (INCLUDES 5, 7, 16, 29, 41 & 57) (BISCUIT)
17	98234	CLIP, GROUND
18	690363	LOCK, FRONT TOP (2)
19	3403571	FRONT PANEL ASSEMBLY (WHITE)
19	3403572	FRONT PANEL ASSEMBLY (ALMOND)
19	3403576	FRONT PANEL ASSEMBLY (BISCUIT)
20	685203	CLIP, FELT PAD
21	690081	CATCH, DOOR
22	3405514	HINGE & PIN ASSEMBLY
23	3394083	CLIP, FRONT PANEL (2)
24	3403431	STRIKE, DOOR
25	3403371	DOOR, REAR
26	3403361	DOOR FRONT (WHITE)
26	3403362	DOOR, FRONT (ALMOND)

26	3403363	DOOR, FRONT (BISCUIT)
27	3405184	HANDLE, DOOR (WHITE)
27	3405185	HANDLE, DOOR (ALMOND)
27	3405189	HANDLE, DOOR (BISCUIT)
28	349464	SEAL & BEARING ASSEMBLY
29	279393	TERMINAL BLOCK KIT (FOR TERMINAL BLOCK)
30	3397659	BLOCK, TERMINAL
31	238088	HINGE, TOP (2)
32	3394332	IDLER & PULLEY ASSEMBLY
33	8066065	BELT, DRIVE
34	348780	BASE, MOTOR
35	3400500	BOLT, 5/16-18 X 3/4
36	3394341	PULLEY 60 HZ
37	3976707	MOTOR ASSEMBLY 60 HZ.
38	660658	CLAMP, MOTOR
39	3404162	CLAMP, MOTOR (W/SHIELD)
40	3405245	SEAL, DOOR
41	697776	SCREW, 10-32 X 1/2 (EXTERNAL GROUND)
42	279318	TERMINAL, TINNED & BRASS (3) (INCLUDES ILLUS. 40)

LER4634JQ0 TAMBOR





LER4634JQ0 TAMBOR

1	694283	LINT CHUTE ASSEMBLY
2	3977358	PLUG, HOLE
4	3388703	WASHER, SUPPORT
5	90767	SCREW, 8 X 3/8
6	3977393	THERMAL, CUT-OFF
7	347139	SEAL, LINT CHUTE
9	3392247	PAD, BLOWER HOUSING
10	694089	WHEEL, BLOWER
11	3405016	HOUSING, BLOWER
12	3398161	CLIP
13	343641	SCREW, 10-16 X ½
14	3397566	BOX, HEATER
15	3399693	THERMOSTAT, HIGH LIMIT 250~F (121.1~ (60 HZ.)
16	3394196	SEAL, BLOWER SHAFT
17	3403585	ELEMENT, HEATER (FOR 240 VOLT INSTALLATION)
18	279457	TERMINAL WIRE KIT
19	3392519	FUSE, THERMAL
20	3387134	THERMOSTAT, INTERNAL-BIAS
21	690997	RING, TRI
22	3399506	SHAFT, L.H.
23	3399507	SHAFT, R.H.
24	3397588	ROLLER, SUPPORT
25	348197	WASHER, SUPPORT
26	3359452	NUT, 3/8-16
27	3397264	BULKHEAD
28	3394509	RING, BEARING
29	97787	SCREW, 11-16 X 7/8
30	8066085	SEAL, REAR DRUM
31	3396777	DRUM ASSEMBLY
32	342847	BAFFLE, DRUM
33	3976435	BRACKET, SUPPORT
34	90296	CLIP
35	339956	SEAL

36	489463	SCREW
37	696302	SHIELD, EXHAUST