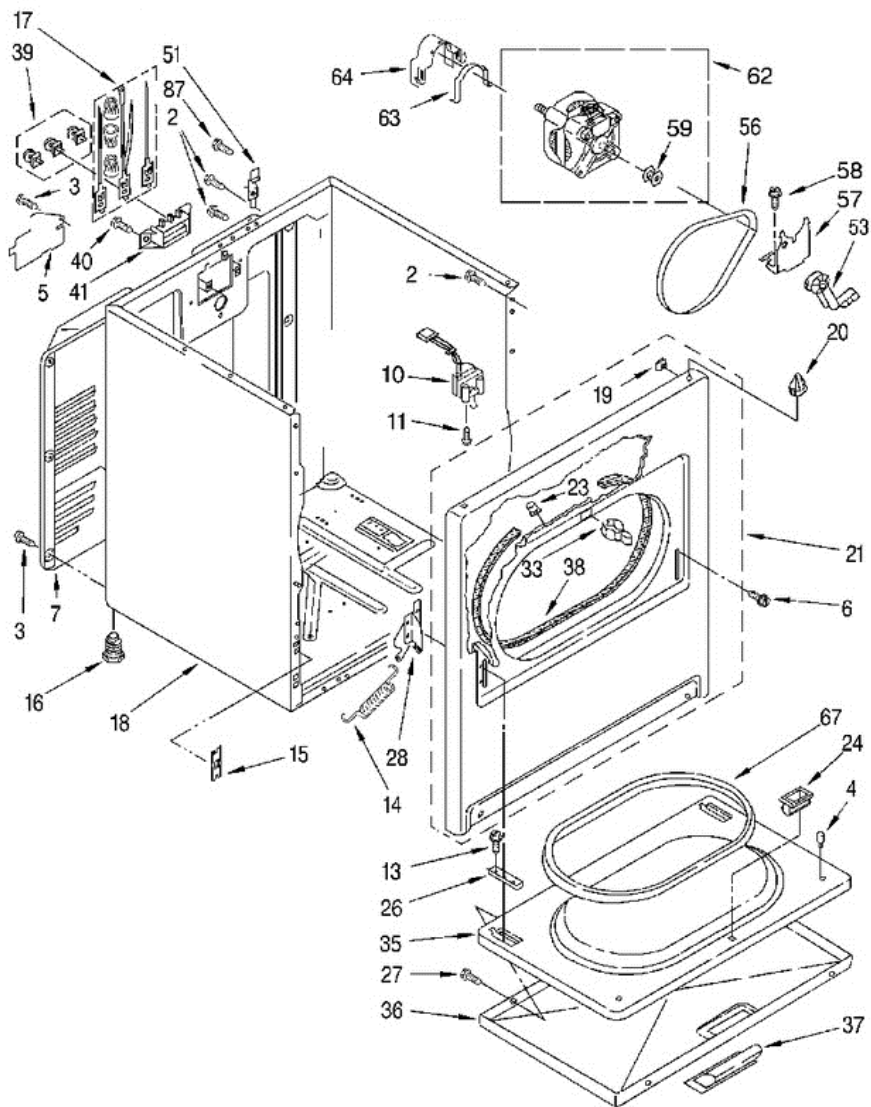


Distribuidor Autorizado

SurteRápido.com

Venta de Refacciones
Electrodomesticas

LER7646EQ1 GABINETE





LER7646EQ1 GABINETE

2	343641	SCREW, 10-16 X 1/2
3	693995	SCREW, HEX WASHER HEAD
4	238614	BUMPER
5	3396795	COVER, BLOCK
6	342043	SCREW, 10-32 X 1/2
7	3396805	PANEL, REAR
10	3406101	DOOR, SWITCH ASSEMBLY
11	697773	SCREW, 6-20 X 7/8
13	3357011	SCREW, 10-16 X 1/2
14	692495	SPRING, DOOR (2)
15	3394083	CLIP, FRONT PANEL (2)
16	279810	FOOT-OPTIONAL(EXTENDED LENGTH PACKAGE OF 2)
16	3392100	FOOT, DRYER
17	279318	TERMINAL, TINNED & BRASS (3) (INCLUDES ILLUS. 39)
18	3399585	CABINET (INCLUDES 5, 7, 15, 16, 41 & 57) (WHITE)
18	3399586	CABINET (INCLUDES 5, 7, 15, 16, 41, & 57) (ALMOND)
19	98234	CLIP, GROUND
20	690363	LOCK, FRONT TOP (2)
21	695620	PANEL, FRONT (WHITE)
21	695621	PANEL, FRONT (ALMOND)
23	685203	CLIP, FELT PAD (3)
24	3398175	CATCH, DOOR ASSEMBLY
26	337189	CLIP, HINGE (2)
27	694091	SCREW (6)
28	692498	HINGE, R.H.
28	692501	HINGE, L.H.
33	696144	STRIKE, DOOR
35	695737	DOOR, REAR
36	3393549	DOOR, FRONT (WHITE)
36	3393550	DOOR, FRONT (ALMOND)
37	690270	HANDLE, DOOR (WHITE)
37	690271	HANDLE, DOOR (ALMOND)
38	3406129	SEAL & BEARING ASSEMBLY

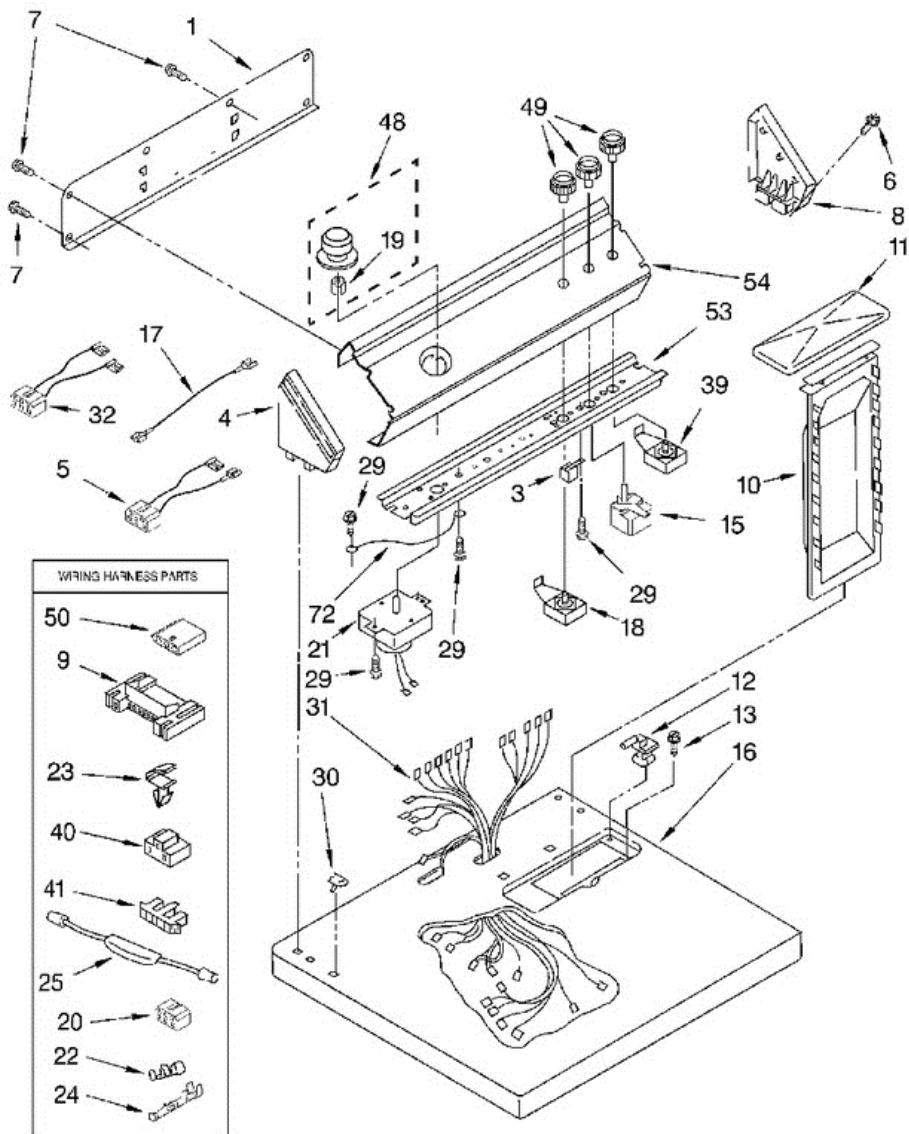
39	279393	TERMINAL BLOCK KIT (FOR TERMINAL BLOCK)
40	3393008	SCREW, 10-16 X 1/2
41	3397659	BLOCK, TERMINAL
51	238088	HINGE, TOP (2)
53	691366	IDLER & PULLEY ASSEMBLY
56	660996	BELT, DRIVE
57	348780	BASE, MOTOR
58	3400500	BOLT, 5/16-18 X 3/4
59	3401143	PULLEY, 60 HZ.
62	3395652	MOTOR ASSEMBLY 60 HZ.
63	660658	CLAMP, MOTOR
64	3404162	CLAMP, MOTOR (W/SHIELD)
67	3390731	SEAL, DOOR
87	697776	SCREW, 10-32 X 1/2 (EXTERNAL GROUND)

Distribuidor Autorizado

SurteRápido.com

Venta de Refacciones
Electrodomesticas

LER7646EQ1 TABLERO



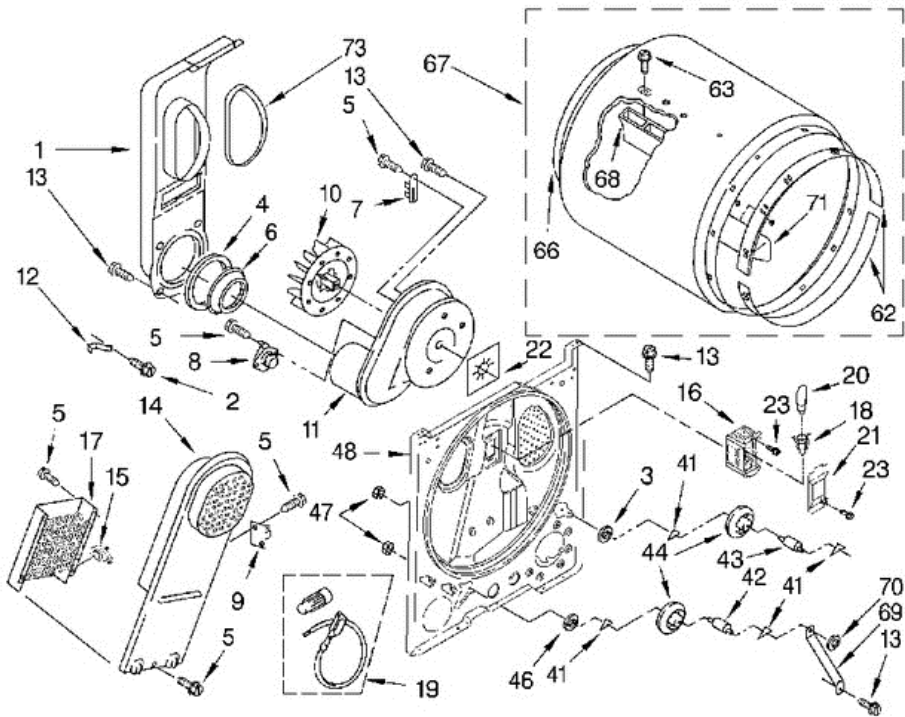


LER7646EQ1 TABLERO

1	3397545	PANEL, REAR CONSOLE
3	694419	BUZZER, MINI
4	3358528	CAP, END (L.H.) (WHITE)
4	3358529	CAP, END (L.H.) (ALMOND)
5	3397695	WIRE, JUMPER (GUARD ON/OFF)
6	388326	SCREW, CONSOLE
7	693995	SCREW, HEX HEAD
8	3358513	CAP, END (R.H.) (WHITE)
8	3358514	CAP, END (R.H.) (ALMOND)
9	3395683	HOUSING, CONNECTOR (MOTOR)
10	349639	SCREEN, LINT
11	688150	COVER, LINT SCREEN (WHITE)
11	689310	COVER, LINT SCREEN (ALMOND)
12	339229	HINGE, R.H.
12	339230	HINGE, L.H.
13	688983	SCREW, 8-15 X 5/8
15	3354285	SWITCH, FINISH GUARD
16	3396022	TOP (WHITE)
16	3396023	TOP (ALMOND)
17	3401684	WIRE, JUMPER (BLACK)
18	3399639	SWITCH, TEMPERATURE
19	688805	CLIP
20	3347243	CONNECTOR 6-CIRCUIT
21	3406701	TIMER, 60 HZ.
22	357572	CLIP, GROUNDING
23	3394427	CLIP-HARNESS
24	94614	TERMINAL (FEMALE)
25	3401075	RESISTOR ASSEMBLY
29	3390646	SCREW, 8-18 X 5/16
30	357213	NUT, PUSH-IN (2)
31	3406616	HARNESS, WIRING
32	3396029	WIRE-JUMPER ASSEMBLY (TEMPERATURE)
39	3398095	RELAY, PUSH-TO-START

40	3401144	CONNECTOR, (PTS RELAY)
41	3397269	CONNECTOR, TIMER
48	3396146	TIMER KNOB ASSEMBLY (WHITE)
48	3396149	TIMER KNOB ASSEMBLY (ALMOND)
49	3950759	KNOB, CONTROL (3) (WHITE)
49	3950760	KNOB, CONTROL (3) (ALMOND)
50	353425	CONNECTOR (DOOR SWITCH)
53	3396293	BRACKET, CONTROL
54	3399053	PANEL, CONTROL (WHITE)
54	3399054	PANEL, CONTROL (ALMOND)
72	690853	WIRE, GROUND

LER7646EQ1 TAMBOR





LER7646EQ1 TAMBOR

1	348368	LINT CHUTE ASSEMBLY
2	3400800	SCREW, 8-18 X 3/4
3	3388703	WASHER, SUPPORT
4	3471139	SEAL, LINT CHUTE
5	90767	SCREW, 8A X 3/8
6	696302	SHIELD, EXHAUST
7	3392519	FUSE, THERMAL
8	3387134	THERMOSTAT, INTERNAL-BIAS
9	3399848	THERMAL, CUT-OFF
10	694089	WHEEL, BLOWER (INCLUDES ILLUS. NO. 22)
11	3405016	HOUSING, BLOWER
12	3398161	CLIP
13	343641	SCREW, 10-16 X 1/2
14	3397566	BOX, HEATER
15	3399693	THERMOSTAT, 250~F (121.1~C)
16	3404232	BRACKET, DRUM LIGHT
17	3403585	ELEMENT, HEATER
18	3403634	SOCKET ASSEMBLY
19	279457	TERMINAL WIRE KIT
20	3406124	LIGHT BULB
21	3402729	LENS, DRUM LIGHT
22	3394196	SEAL, BLOWER
23	3357011	SCREW, 10-12 X 1/2
41	690997	RING, TRI
42	3399506	SHAFT, L.H.
43	3399507	SHAFT, R.H.
44	3397588	ROLLER, SUPPORT
46	348197	WASHER, SUPPORT
47	3359452	NUT, 3/8-16
48	3403493	BULKHEAD
62	692526	RING, BEARING
63	97787	SCREW, 11-16 X 7/8
66	3406130	SEAL, REAR DRUM

67	695587	DRUM ASSEMBLY
68	692490	BAFFLE, DRUM (2)
69	3394133	BRACKET, SUPPORT
70	90296	CLIP
71	3403636	BAFFLE, DRUM (1)
73	339956	SEAL