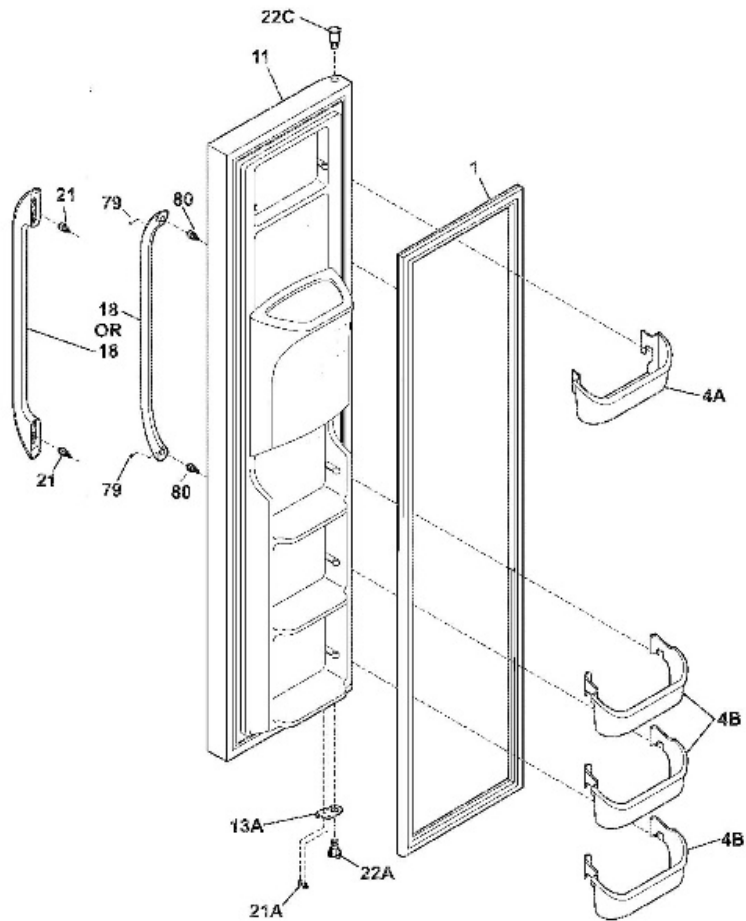


Publication No: 5995606919

LFUS2613L

FREEZER DOOR



N58FT0E6C0



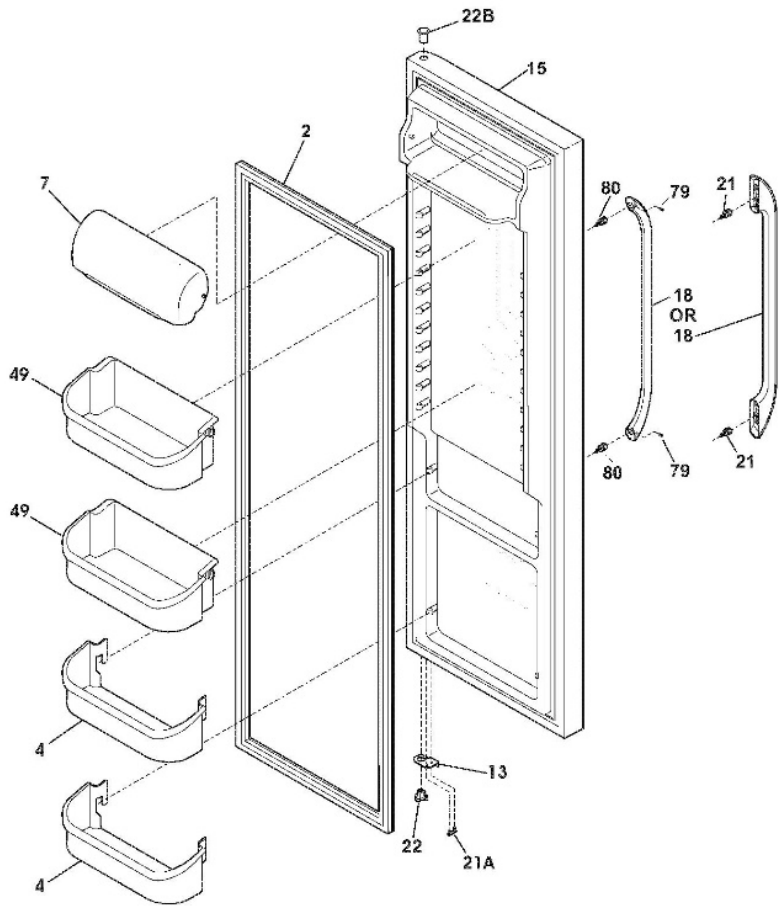
Refrigerador W.W. LFUS2613LF0

Guía	N.P.	Descripción
NI	240451503	Screw,ind hex wshr hd ,8-32 x 0.375 ,trilobe
NI	241806601	Connector-water,straight
NI	242084903	Harness-wiring,door
NI	5303918371	Dispenser heater kit,115
1	241786010	Gasket-frzr door,grey ,magnetic
4A	240334201	Bin-door,frzr-upper
4B	240351601	Bin-door
11	242026460	Door-frzr,stainless ,complete assy
13A	241942604	Door Stop,black ,frzr
18	242059301	Handle-door,stainless
21A	240442706	Screw-No.10-32 X 3/4,zinc
22A	241990302	Bearing-hinge(frz),closer
22C	241760401	Bearing,hinge ,top
79	218755401	SCREW-SET,10-32 X 0.375
80	218755504	Screw-shoulder,No.10 AB ,handle mounting

Publication No: 5995606919

LFUS2613L

REFRIGERATOR DOOR



N58RTDACB0



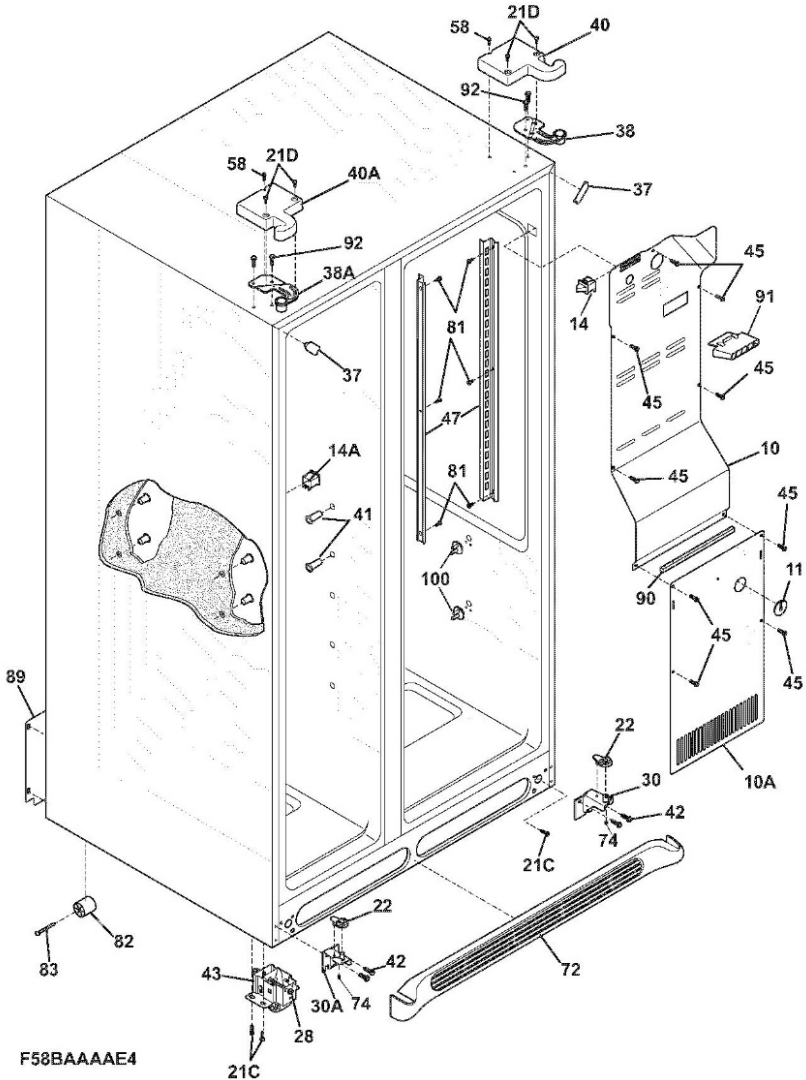
Refrigerador W.W. LFUS2613LF0

Guía	N.P.	Descripción
2	241786009	Gasket-refr door,grey ,magnetic
4	240323002	Bin-door,pseudo ,clear ,bottom
7	240326203	Door-dairy
13	241942603	Door Stop,black ,ref
15	242038859	Door-refr,stainless ,complete assy
18	242059301	Handle-door,stainless
21A	240442706	Screw-No.10-32 X 3/4,zinc
22	241990301	Bearing-hinge,gray
22B	241760403	Bearing,hinge ,top
49	240356402	BIN-DOOR,GALLON
79	218755401	SCREW-SET,10-32 X 0.375
80	218755504	Screw-shoulder,No.10 AB ,handle mounting

Publication No: 5995606919

LFUS2613L

CABINET



F58BAAAAE4



Refrigerador W.W. LFUS2613LF0

Guía	N.P.	Descripción
NI	240479601	Plug,button ,cab liner holes
NI	241550701	Grommet-shelf mtg,.96`` long
NI	5303321319	Paint,touch-up ,white
NI	5303321321	PAINT,TOUCH-UP,BLACK
10	240435912	Cover-air duct
10A	241719711	Cover-evap coil,lower
11	5303208309	PLUG-HOLE, FACTORY TEST
14	240505801	Switch-light/lamp
14A	241547901	Switch-light/lamp,frzr door
21C	218252201	Screw,No.8 truss hd ,10-32CA x 0.500
21D	218781101	Screw,pan head ,8-18 x 0.625
22	241917801	PLATE-DOOR CLOSER
28	240335502	Bolt-roller adj,hex washer head ,1/4-20 x 4.020,(2)
30	241917901	Bracket-lower hinge,RH ,w/hinge pin
30A	241917902	Bracket-lower hinge,LH ,w/hinge pin
37	240337615	Trim-cabinet corner,gray ,(2)
38	241761301	Bracket-upper hinge,RH
38A	241761302	Bracket-upper hinge,LH
40	241946717	Cover-upper hinge,gray ,RH
40A	241946718	Cover-upper hinge,gray
41	241550801	Grommet-shelf mtg,1.40`` long
42	240578902	Screw,hex head ,1/4-20 x 5/8
43	240335006	Roller Assy,front ,(2)
45	241500303	Screw,hex washer head ,8-18AB x 1/2
47	218659500	Channel-shelf mtg,side ,(2)
72	241969405	Grille/Kickplate
74	218755402	Screw-set,10-32 x 0.375



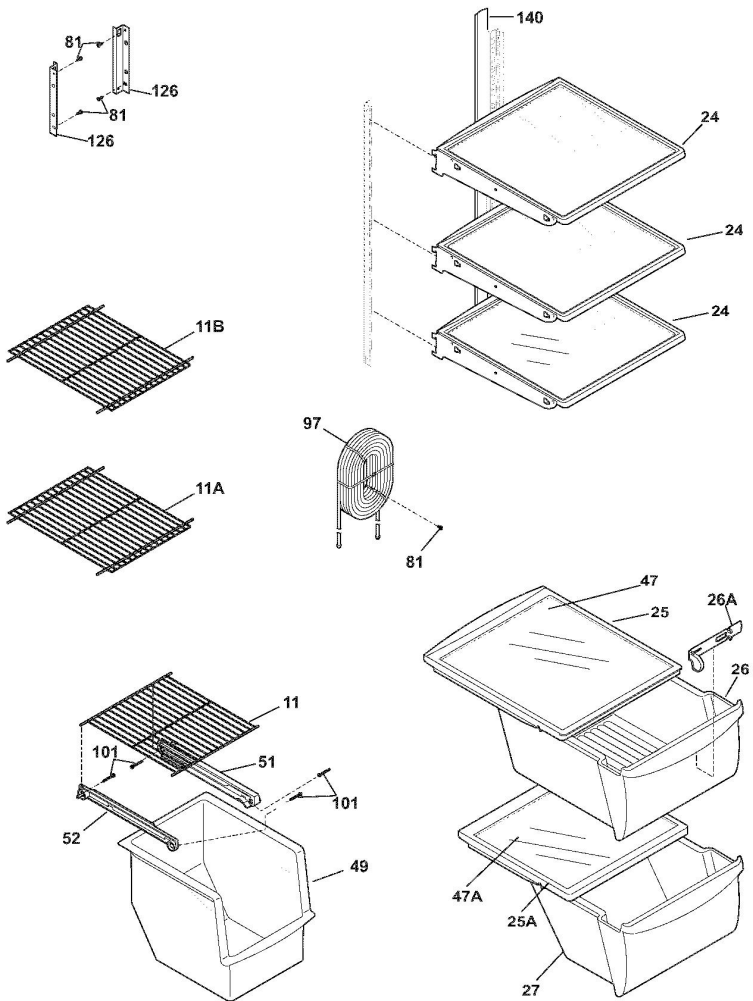
Refrigerador W.W. LFUS2613LF0

Guía	N.P.	Descripción
81	5304455650	Screw,hex washer head ,8-15A x 0.625 ,low profile
82	5304418225	Roller,compressor base ,rear ,(2)
83	5304455655	Rivet,flat head ,1/4 OD x 1-3/4 ,roller pin
89	241733902	Cover-access,w/label
90	218249808	Seal-coil cover
91	240380101	Duct-ice maker
92	241710601	Screw,hex washer hd ,1/4 x 7/8 ,hinge mtg
100	241993001	SUPPORT-CRISPER CVR
100	241993101	SUPPORT-CRISPER CVR

Publication No: 5995606919

LFUS2613L

SHELVES



F58SJCAAB2



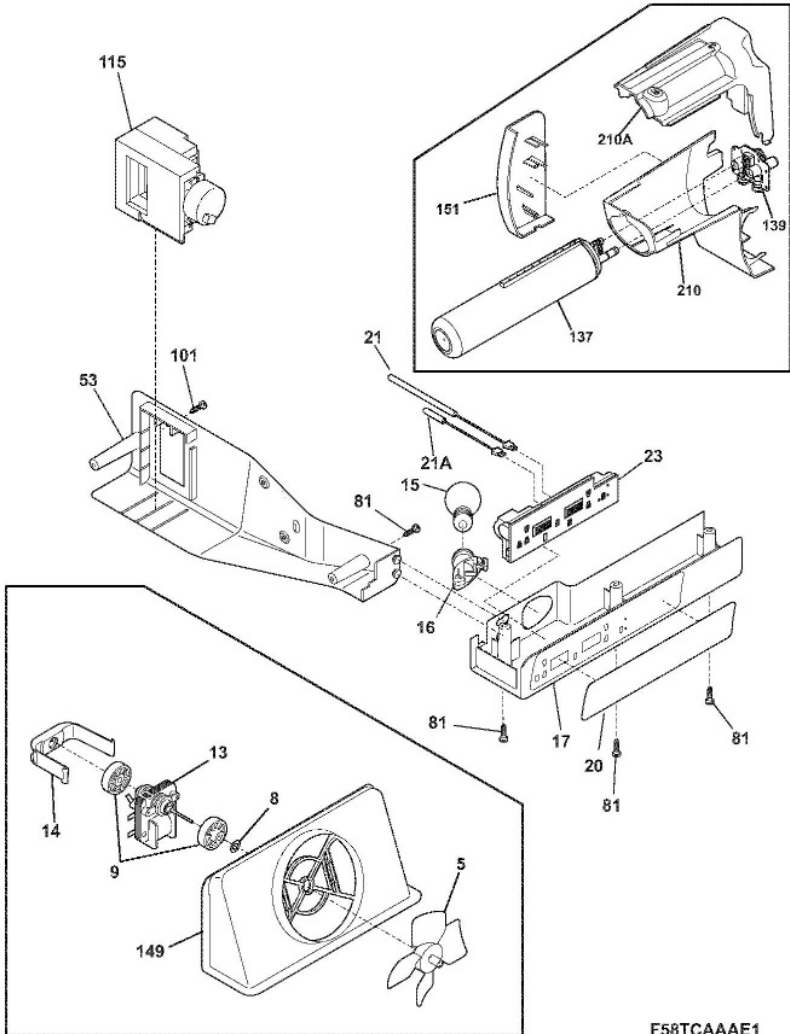
Refrigerador W.W. LFUS2613LF0

Guía	N.P.	Descripción
NI	240349801	Clip-slide,pan-crisper
NI	240362101	Clip-slide,cover-crisper
NI	241595202	Clip-slide,pan-crisper
NI	242028564	Energy Guide
11	241657602	Shelf,flip up ,wire
11A	241657502	Shelf,fixed ,freezer
11B	241657504	Shelf,fixed ,upper ,freezer
24	240355256	Shelf-``Spill-Safe``,fixed
25	240599301	Cover-crisper pan,upper
25A	240350903	Cover-crisper pan,lower
26	240351061	Pan-crisper,upper
26A	240362201	Control-humidity
27	240351207	Pan-crisper,lower
47	240350649	Insert-pan cover,glass
47A	240350603	Insert-pan cover,glass
49	240564401	Basket-sliding
51	240343002	Hanger-basket,RH
52	240343102	Hanger-basket,LH
81	5304455650	Screw,hex washer head ,8-15A x 0.625 ,low profile
97	240545310	WATER TANK
101	218493101	Screw,hex washer head ,8-18AB x 1-3/4
126	241674401	Channel,auger mtg ,LH
126	241674402	Channel,auger mtg ,RH
140	240430501	Channel,wtr tube cover

Publication No: 5995606919

LFUS2613L

CONTROLS



F58TCAAEE1



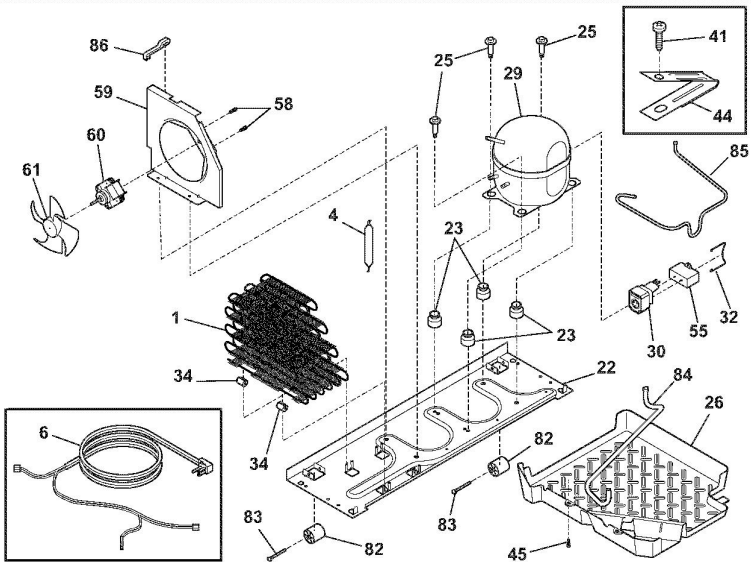
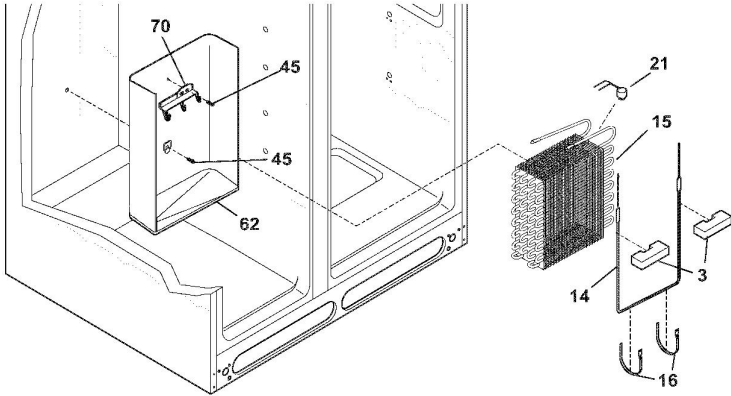
Refrigerador W.W. LFUS2613LF0

Guía	N.P.	Descripción
NI	240570304	Tape,aluminum ,3`` wide
NI	241737801	Harness-wiring,control box
NI	242091801	Harness-wiring
5	5308000010	Fan Blade,red ,evaporator fan
8	215474201	WASHER, ``SLINGER`` ,NYLON ,EVAP FAN SHAFT
9	241563601	Bushing-motor mtg
13	242077701	Motor-blower,13
14	241517701	Clip,evap fan motor
15	241555401	Light Bulb
16	241513901	Socket-light
17	241633505	Box-control,front
20	241604006	Label-control box
21	241608401	Thermistor-refr
21A	241608501	Thermistor-frzr
23	241739702	Board-control,temp control
53	241608901	Box-control
81	5304455650	Screw,hex washer head ,8-15A x 0.625 ,low profile
101	241637202	Screw,No.8AB x 1 3/4``
115	241600905	Damper Assy,w/seal
137	242069601	Filter-water,carbon
139	242009601	Base-water filter
149	241528306	Seal,shroud
149	241563501	Shroud-fan orifice
151	242069701	Cover-water filter
210	241983803	Housing-water filtr
210	241998302	Mount-water filter

Publication No: 5995606919

LFUS2613L

SYSTEM



E58CAAAC1



Refrigerador W.W. LFUS2613LF0

Guía	N.P.	Descripción
NI	218252201	Screw,No.8 truss hd ,10-32CA x 0.500
NI	240346701	TAPE-FOAM SEAL,SHROUD
NI	240359403	Screw-fan shroud,(2)
NI	241737801	Harness-wiring,control box
NI	241812301	Washer-compr mtg
NI	5303918222	Hot Tube Repair Kit,Service
NI	5303918327	Heat Exchanger Kit,suction line
1	240333603	Condenser
3	218679607	Block-evap coil,styrofoam ,(2)
4	242047601	Drier-filter
6	241586801	Harness-wiring,machine compt
14	240316107	HEATER-DEFROST
15	5303918284	Evaporator Kit
16	5308000110	STRAP-EVAP/HEATER,ALUMINUM ,(2)
21	5303918214	Thermostat-defrost,kit
22	240330011	Base-compressor mtg
23	218513300	GROMMET-COMPR MTG,(4)
25	240491503	Screw-compressor mtg,1/4-28 x 1.16 ,(4)
26	241697602	PAN-DEFROST
29	240550922	Compressor,w/o electricals
30	241941003	Starter
32	241982601	Clip,controller ,compressor
34	240405201	Grommet,rubber ,black ,cond tube/wire
41	240555002	Screw-No.8-32 X 3/8
44	215174700	CLAMP-SERVICE CORD, STRAIN RELIEF, GALV STEEL
45	5304455650	Screw,hex washer head ,8-15A x 0.625 ,low profile
55	218909913	Capacitor-run,220 VAC ,15 microfarad
58	240569201	SCREW,8-18 X 0.500



Refrigerador W.W. LFUS2613LF0

Guía	N.P.	Descripción
59	241946106	Shroud-cond fan
60	241584301	Motor-condenser fan
61	241639501	Blade-condenser fan
62	240429405	Trough-drain
70	218990801	BRACKET-EVAP/CVR MTG
82	5304418225	Roller,compressor base ,rear ,(2)
83	5304455655	Rivet,flat head ,1/4 OD x 1-3/4 ,roller pin
84	241957901	Tube-drain,lower
85	241856903	Tube-connector,suction
86	240409302	Spacer-cond tube,black