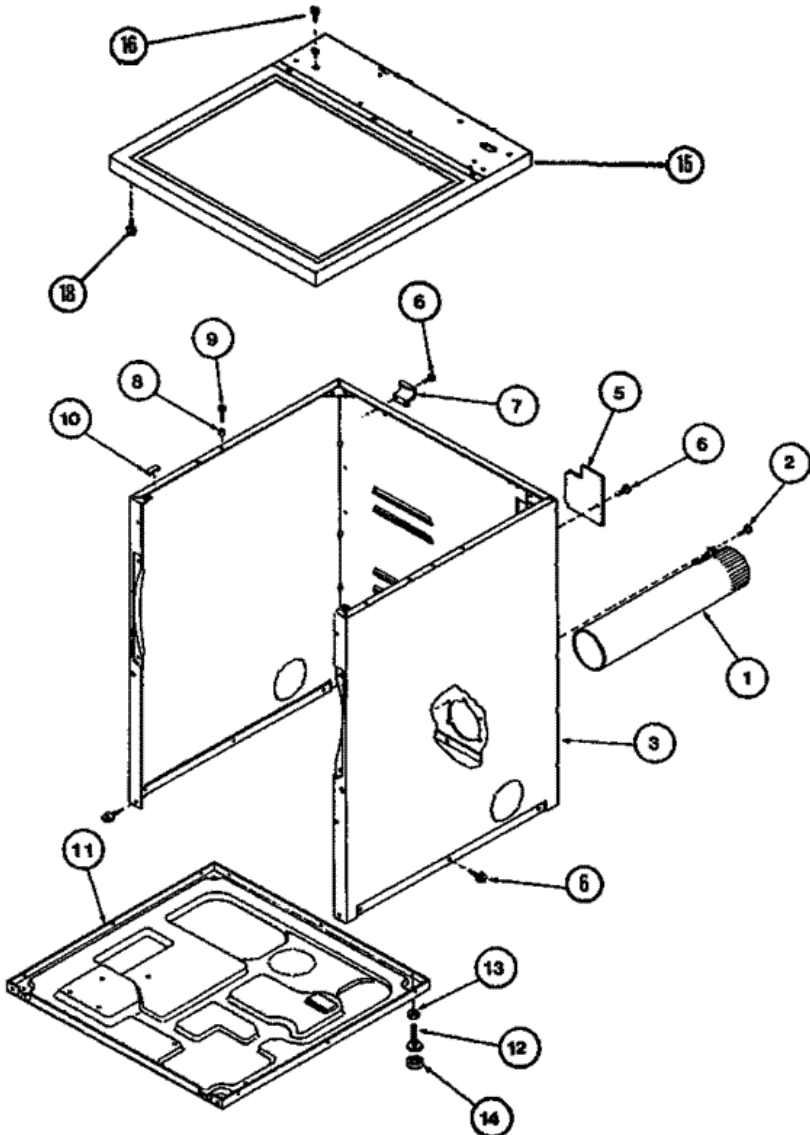


Distribuidor Autorizado

SurteRápido.com

Venta de Refacciones  
Electrodomesticas

## LG3812L GABINETE





## LG3812L GABINETE

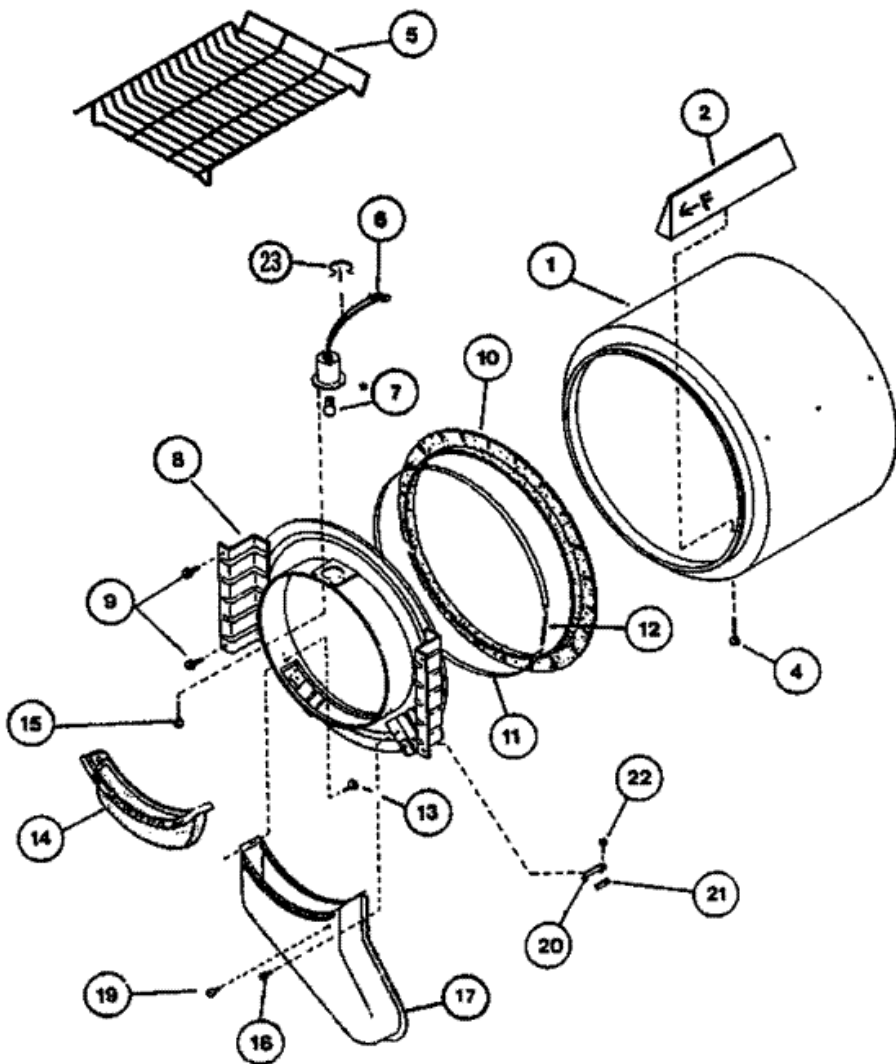
1	56118	DUCT, EXHAUST <b>DESCONTINUADO</b>
2	56392	SCREW, HEX HEAD <b>(S/P)</b>
3	60813LP	XXXASSY, DRYER CABINET <b>(S/P)</b>
3	60813SP	CABINET W <b>(S/P)</b>
5	60821	ACCESS PLATE <b>(S/P)</b>
6	52909	SCREW <b>DESCONTINUADO</b>
7	60826	HINGE <b>(S/P)</b>
8	505187	GUIDE LUG <b>(S/P)</b>
9	R0600102	SCREW <b>(S/P)</b>
10	R0606519	PAD, BUMPER <b>(S/P)</b>
11	60811	ASSY, BASE-COMPLETE <b>(S/P)</b>
12	305086	LEVELING LEG
13	62739	NUT
14	314137	PAD, RUBBER
15	60815W	TOP, CABINET W <b>(S/P)</b>
15	60815LP	TOP, CABINET L <b>(S/P)</b>
16	52909	SCREW <b>DESCONTINUADO</b>
18	52909	SCREW <b>DESCONTINUADO</b>

Distribuidor Autorizado

SurteRápido.com

Venta de Refacciones  
Electrodomesticas

LG3812L TAMBOR





**LG3812L TAMBOR**

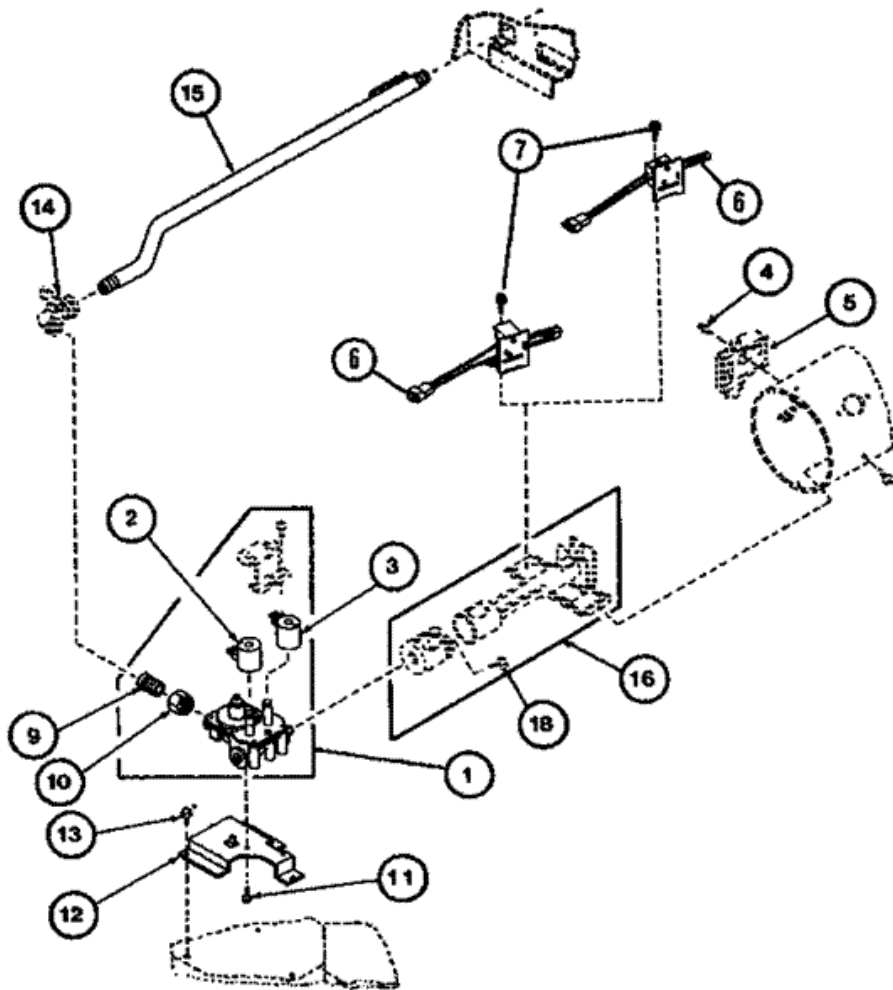
1	61073P	CYLINDER <b>DESCONTINUADO</b>
2	Y61027	BAFFLE, CYLINDER LONG <b>(S/P)</b>
2	Y61399	BAFFLE CYLINDER SHORT <b>DESCONTINUADO</b>
4	56131	SCREW <b>DESCONTINUADO</b>
5	58846	RACK, DRYING <b>DESCONTINUADO</b>
6	R0605086	RECEPTACLE, BULB <b>DESCONTINUADO</b>
7	67001316	BULB
8	62142W	BULKHEAD FRONT W <b>DESCONTINUADO</b>
9	52909	SCREW <b>DESCONTINUADO</b>
10	56088	SEAL ASSY
11	56090P	STRAP, SEAL
12	52310	SPRING <b>(S/P)</b>
13	56392	SCREW, HEX HEAD <b>(S/P)</b>
14	61376	FILTER, LINT-WHITE W/INST.
15	31260	SCREW <b>(S/P)</b>
17	60786	AIR DUCT <b>(S/P)</b>
18	R0600039	SCREW <b>(S/P)</b>
19	56938	BUMPER <b>DESCONTINUADO</b>
20	61448	GUIDE, CYLINDER
21	58049	FELT PAD <b>(S/P)</b>
22	R0600004	SCREW <b>(S/P)</b>
23	51291	CLIP <b>(S/P)</b>

Distribuidor Autorizado

SurteRápido.com

Venta de Refacciones  
Electrodomesticas

## LG3812L QUEMADOR

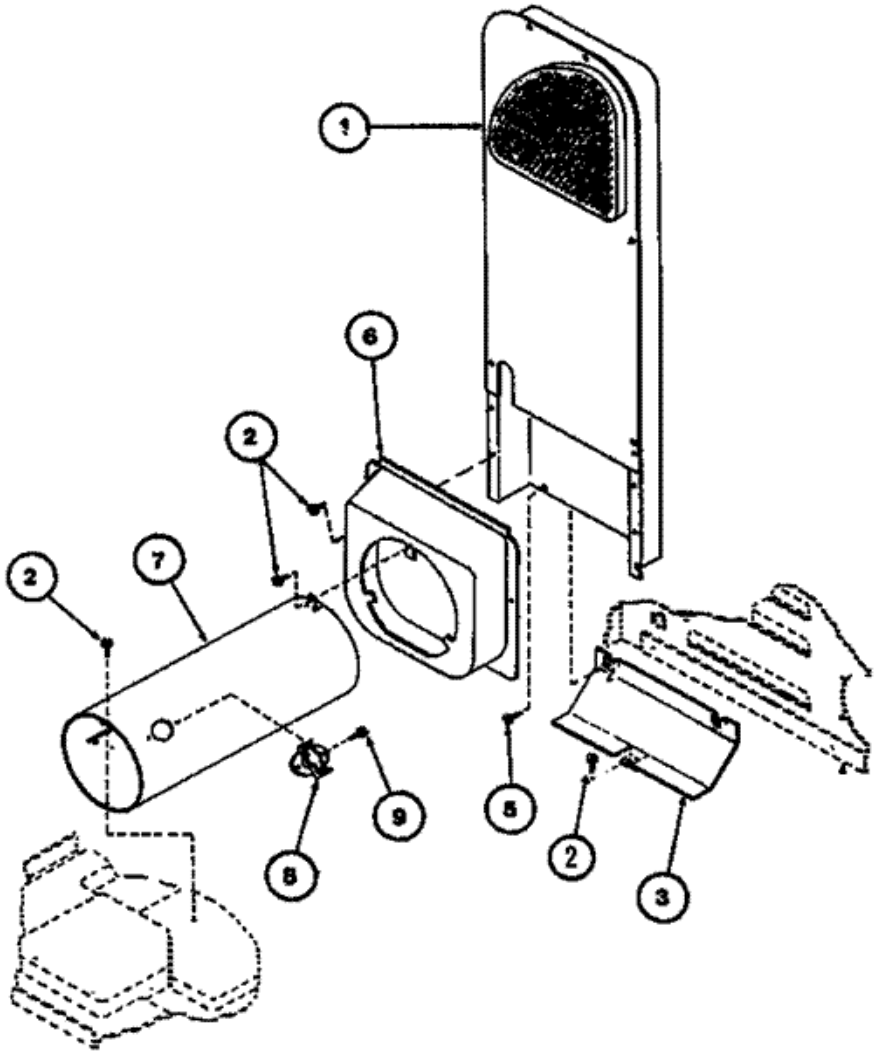




## LG3812L QUEMADOR

1	58804	ASSEMBLY, GAS VALVE
2	694539	COIL, HOLDING AND BOOSTER (S/P)
3	694540	SECONDARY COIL (S/P)
4	R0600033	SCREW (S/P)
5	338906	SENSOR, FLAME
6	37001308	IGNITER & BRACKET ASSEMBLY
7	56693	SCREW (S/P)
9	56282	NIPPLE (S/P)
10	40016301	LOCKNUT
11	56124	SCREW (S/P)
12	500821	BRACKET, MOUNTING (S/P)
13	27001200	SCREW (S/P)
14	510205	VALVE (S/P)
15	58911	LEAD-IN PIPE ASSY <b>DESCONTINUADO</b>
16	37001304	ASSEMBLY, BURNER (S/P)
18	37001308	IGNITER & BRACKET ASSEMBLY

**LG3812L RESISTENCIA**



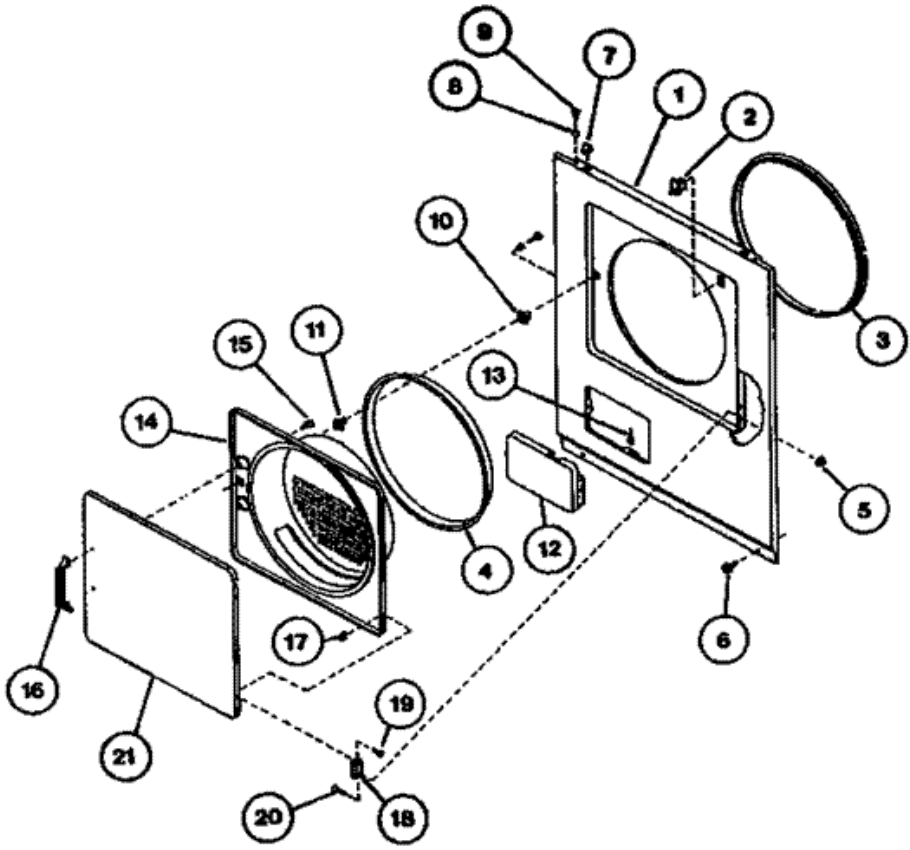


## LG3812L RESISTENCIA

1	503605	HEATER BOX (S/P)
2	27001200	SCREW (S/P)
3	R0603180	HEAT SHIELD <b>DESCONTINUADO</b>
5	40064801	SCREW, 10B-16X1/4 (S/P)
6	500122	SHROUD, HEAT <b>DESCONTINUADO</b>
7	61974	HOUSING, BURNER <b>DESCONTINUADO</b>
8	489P3	LIMIT THERMOSTAT
9	R0600033	SCREW (S/P)



**LG3812L PUERTA**





## LG3812L PUERTA

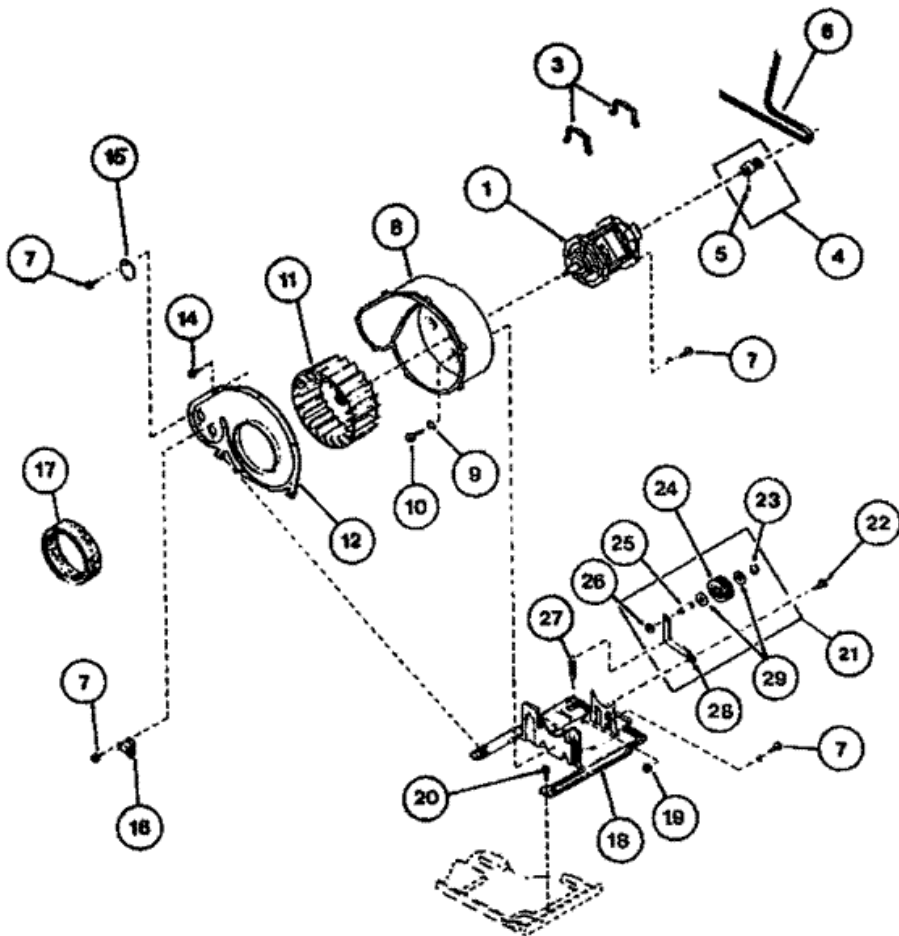
1	62421LP	PANEL, FRONT L (S/P)
1	62421WP	PANEL FRONT W (S/P)
2	33001508	SWITCH
3	Y61380	SEAL (S/P)
4	61379	DOOR SEAL <b>DESCONTINUADO</b>
5	488130	NUT (S/P)
6	27001200	SCREW (S/P)
7	22001650	CLIP
8	505187	GUIDE LUG (S/P)
9	R0600102	SCREW (S/P)
10	306436	STRIKER
11	279570	DOOR STRIKER
12	60795W	DOOR, ACCESS W (S/P)
12	60795L	DOOR, ACCESS L (S/P)
13	56534	SUPPORT <b>DESCONTINUADO</b>
14	52152P	PANEL, MIXER DOOR L <b>DESCONTINUADO</b>
14	62152W	PANEL, INNER DOOR W <b>DESCONTINUADO</b>
15	R0600036	SCREW (S/P)
16	54068P	HANDLE, DOOR BLACK (S/P)
17	23407	SPEED NUT (S/P)
18	56045	DOOR HINGE (S/P)
19	500226	SCREW (S/P)
20	22649	SCREW <b>DESCONTINUADO</b>
21	62153W	PANEL OUTER DOOR (S/P)
21	52153L	PANEL, INNER DOOR L (S/P)

Distribuidor Autorizado

SurteRápido.com

Venta de Refacciones  
Electrodomesticas

## LG3812L MOTOR

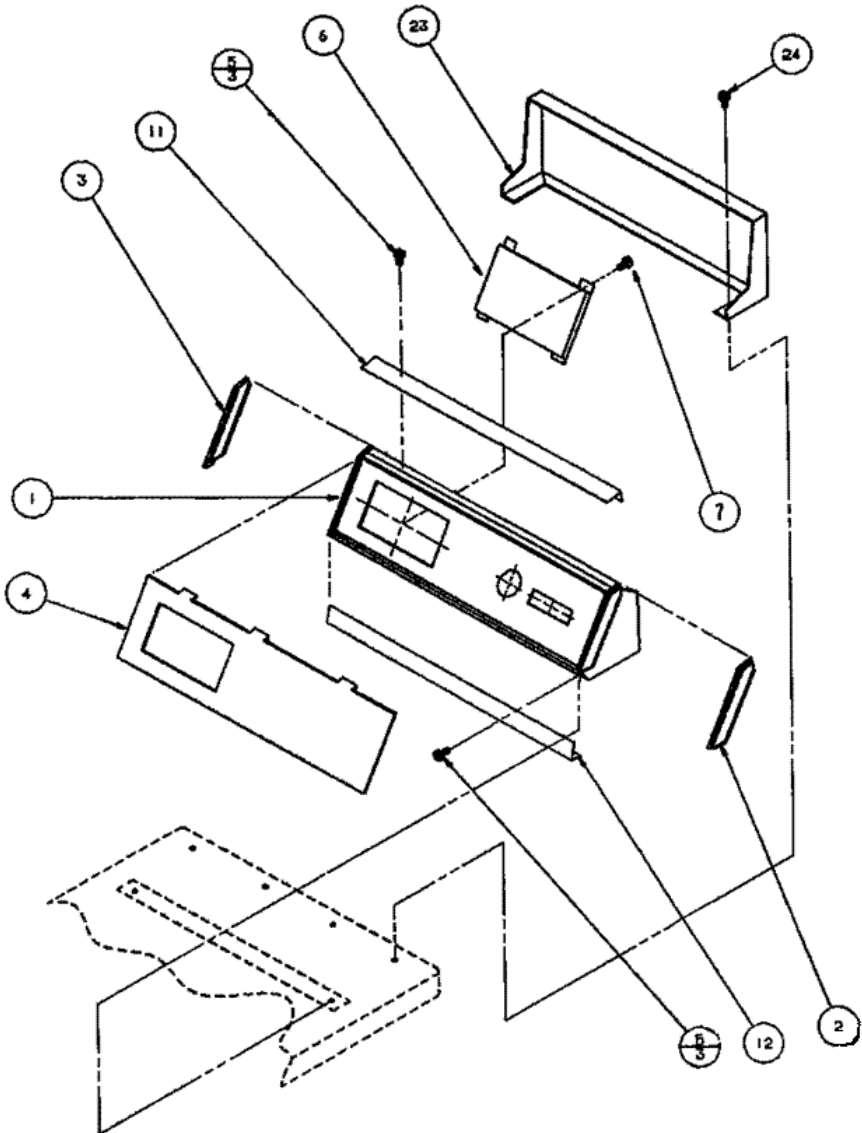




## LG3812L MOTOR

1	58044	MOTOR
3	660658	MOTOR CLIP (S/P)
4	59175P	KIT, PULLEY & SETSCREW <b>DESCONTINUADO</b>
5	62541	SET SCREW (S/P)
6	40111201	BELT
7	R0600033	SCREW (S/P)
8	56020	BLOWER HSG
9	R0600560	WASHER (S/P)
10	27001200	SCREW (S/P)
11	56000	ASSY, BLOWER FAN
12	60938P	COVER, EXHAUST FAN (S/P)
14	R0600004	SCREW (S/P)
15	R0605691	COVER PLATE <b>DESCONTINUADO</b>
16	59500	ASSY, THERMISTOR
17	56065	FELT SEAL <b>DESCONTINUADO</b>
18	503613	BRACKET, MOTOR MOUNT (S/P)
19	27001225	LOCKNUT (S/P)
20	52909	SCREW <b>DESCONTINUADO</b>
21	56170P	ASSY, IDLER LEVER (S/P)
22	56587	SCREW (S/P)
23	23748	RING, RETAINING (S/P)
24	510142P	PULLEY, IDLER
25	56461	SHAFT
26	358160	NUT (S/P)
27	56076	SPRING (S/P)
28	56057	LEVER, IDLER <b>DESCONTINUADO</b>
29	52549	WASHER (S/P)

**LG3812L TABLERO**





## LG3812L TABLERO

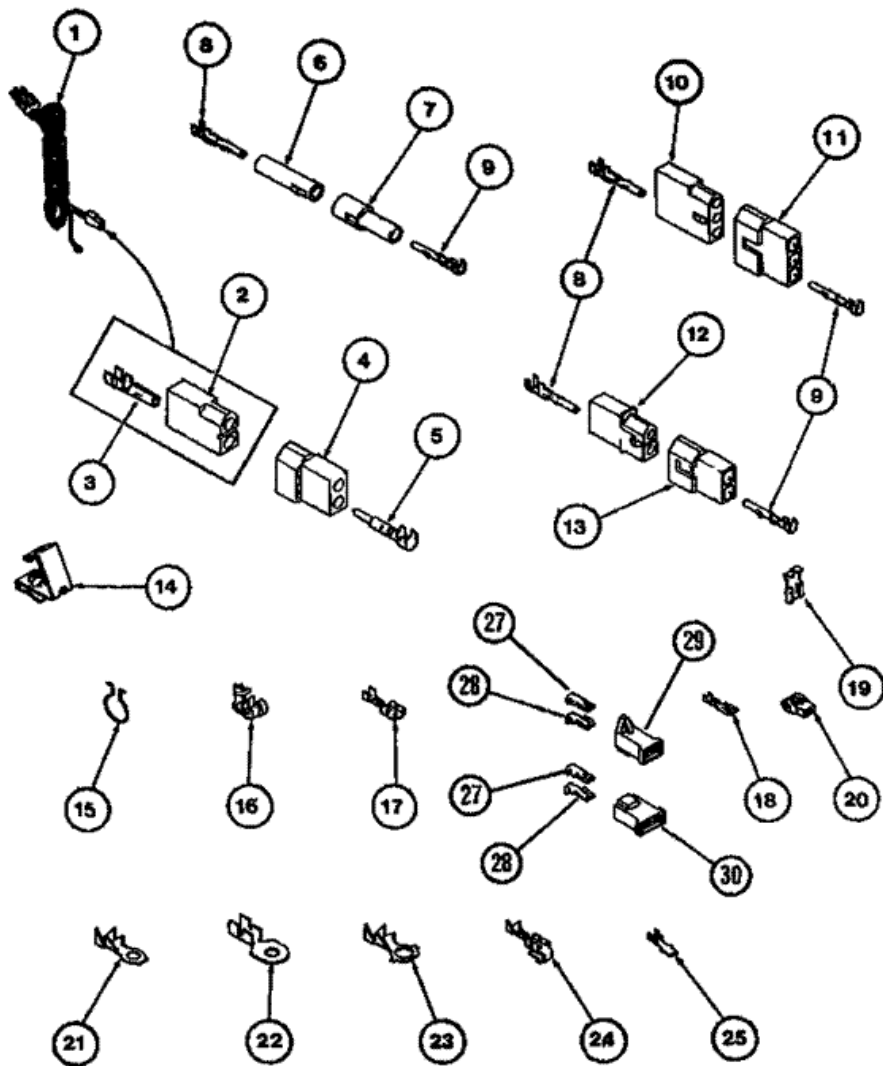
1	59606	CONTROL HOOD ASSY, BLACK (S/P)
2	31249	END CAP, L.H CHROME <b>DESCONTINUADO</b>
3	31248	END CAP (S/P)
4	62399	GRAPHICS PANEL (S/P)
5	31752	SCREW (S/P)
6	61350	CONTROL, ELECTRONIC (S/P)
7	31260	SCREW (S/P)
11	59770R	TRIM STRIP, UPPER (S/P)
12	61323R	TRIM STRIP, LOWER (S/P)
23	40051401P	REAR PANEL (S/P)
24	R0600004	SCREW (S/P)

Distribuidor Autorizado

SurteRápido.com

Venta de Refacciones  
Electrodomesticas

## LG3812L HARNES





**LG3812L HARNES**

1	27001142	CORD, LEAD-IN (S/P)
2	56265	RECEPTACLE (S/P)
3	R0605030	TERMINAL (S/P)
4	56266	PLUG (S/P)
5	Y00127	TERMINAL (S/P)
6	26301	CONNECTOR (S/P)
7	26302	CONNECTOR (S/P)
8	R0605004	TERMINAL <b>DESCONTINUADO</b>
9	R0605003	TERMINAL (S/P)
10	23039	RECEPTACLE (S/P)
11	23040	PLUG (S/P)
12	56451	RECEPTACLE (S/P)
13	56448	PLUG (S/P)
14	B5733302	CLIP-GROUND (S/P)
15	51291	CLIP (S/P)
16	2-11881	STRAIN RELIEF K
17	R0605005	TERMINAL (S/P)
18	R0605002	TERMINAL, SPADE-3/16 FE <b>DESCONTINUADO</b>
19	R0605006	TERMINAL (S/P)
20	R0605011	INSULATOR (S/P)
21	R0605026	TERMINAL (S/P)
22	R0605027	TERMINAL (S/P)
23	R0605007	TERMINAL (S/P)
24	R0605028	TERMINAL (S/P)
25	R0605031	TERMINAL (S/P)
27	R0605070	TERMINAL (S/P)
28	R0605071	TERMINAL (S/P)
29	58799	TERMINAL BLOCK (S/P)
30	58800	TERMINAL BLOCK (S/P)

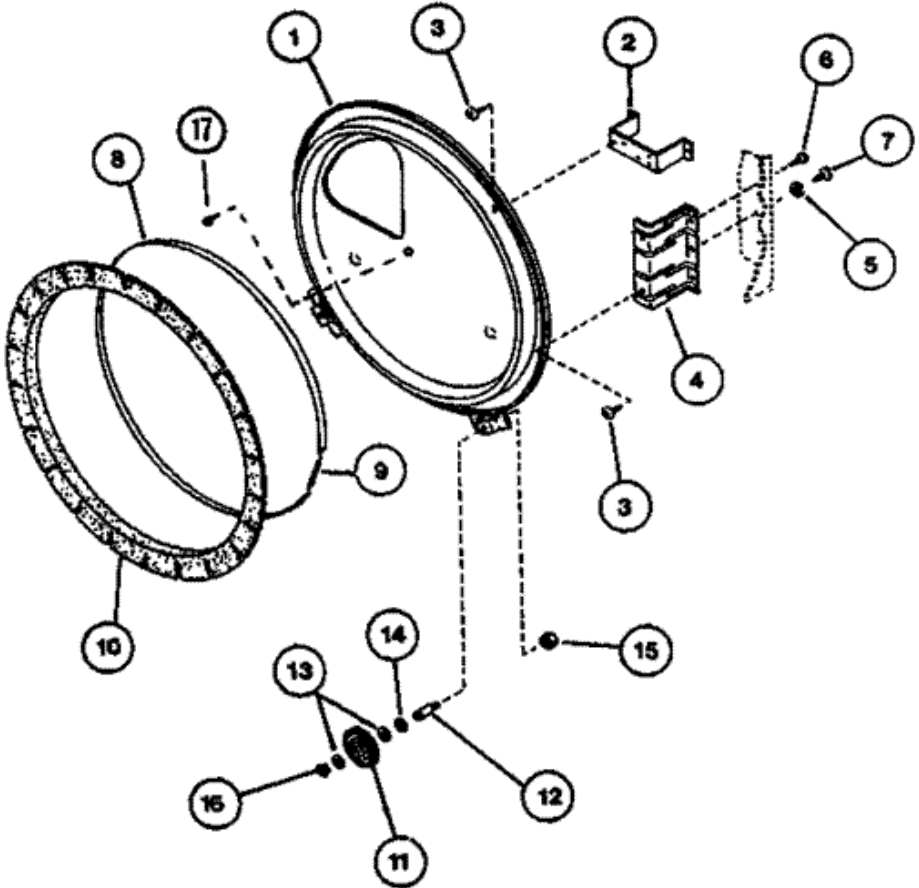


Distribuidor Autorizado

**SurteRápido.com**

Venta de Refacciones  
Electrodomesticas

## LG3812L SELLO ESCOTILLA





## LG3812L SELLO ESCOTILLA

1	61127P	BULKHEAD, WHITE (S/P)
2	60823P	BRACKET, TERMINAL BLOCK (S/P)
3	20530	SCREW (S/P)
4	56055	BRACKET (S/P)
5	51474	WASHER <b>DESCONTINUADO</b>
6	R0600041	SCREW <b>DESCONTINUADO</b>
7	62541	SET SCREW (S/P)
8	56090P	STRAP, SEAL
9	52310	SPRING (S/P)
10	56088	SEAL ASSY
11	62649	ROLLER
12	56461	SHAFT
13	52594	TIMER <b>DESCONTINUADO</b>
15	358160	NUT (S/P)
16	23748	RING, RETAINING (S/P)
17	51356	SCREW (S/P)