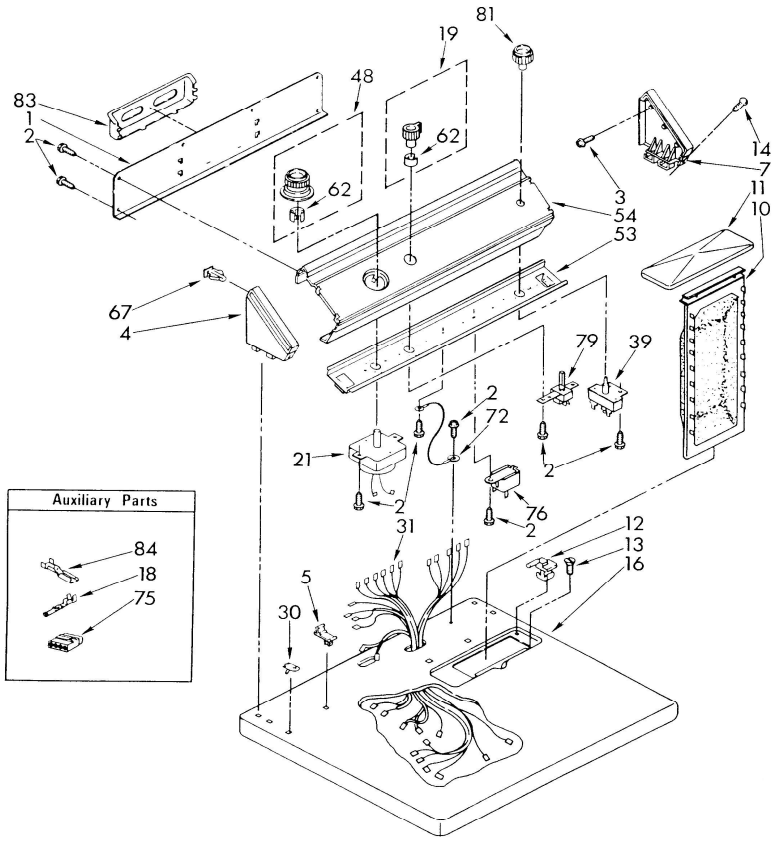

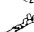



**LG5801XSW3 TABLERO**



| Auxiliary Parts   |    |
|---|----|
|   | 84 |
|  | 18 |
|  | 75 |



## LG5801XSW3 TABLERO

|    |         |   |
|----|---------|---|
| 1  | 8066156 | PANEL, REAR CONSOLE (S/P)                 |
| 2  | 343641  | SCREW, 10-16 X 1/2 (S/P)                  |
| 3  | 355326  | SCREW, 13-16 X 5/8 (S/P)                  |
| 4  | 285653  | CAP, END (L.H.)                           |
| 5  | 358472  | <b>DESCONTINUADO</b>                      |
| 7  | 285653  | CAP, END. (R.H.)                          |
| 10 | 339392  | SCREEN, LINT                              |
| 11 | 697368  | COVER, LINT SCREEN (ALMOND) (S/P)         |
| 11 | 697369  | COVER, LINT SCREEN (TOAST) (S/P)          |
| 11 | 697367  | COVER, LINT SCREEN (WHITE) (S/P)          |
| 11 | 689313  | COVER, LINT SCREEN (GOLDEN HARVEST) (S/P) |
| 11 | 697370  | COVER, LINT SCREEN (PLATINUM) (S/P)       |
| 12 | 3978605 | HINGE, R.H. (S/P)                         |
| 12 | 3978606 | HINGE, L.H. (S/P)                         |
| 13 | 688983  | SCREW, 8-18 X 5/8 (S/P)                   |
| 14 | 64211   | SCREW, 8-18 X 1 (S/P)                     |
| 16 | 3393387 | TOP (GOLDEN HARVEST) (S/P)                |
| 16 | 3393385 | <b>DESCONTINUADO</b>                      |
| 16 | 3393386 | TOP (ALMOND) (S/P)                        |
| 16 | 3393388 | TOP (TOAST) (S/P)                         |
| 16 | 3393389 | TOP (PLATINUM) (S/P)                      |
| 18 | 94614   | TERMINAL (S/P)                            |
| 19 | 386635  | <b>DESCONTINUADO</b>                      |
| 21 | 3388702 | TIMER ASSEMBLY, 60 HZ.                    |
| 30 | 358473  | NUT, PUSH-IN (2) (S/P)                    |
| 31 | 697064  | HARNESS, WIRING (S/P)                     |
| 39 | 348314  | SWITCH, PUSH-TO-START                     |
| 48 | 3387900 | TIMER KNOB & DIAL                         |
| 53 | 3394061 | BRACKET, CONTROL (S/P)                    |
| 54 | 3387692 | <b>DESCONTINUADO</b>                      |
| 62 | 688805  | CLIP (S/P)                                |
| 67 | 689559  | NUT, PUSH-ON (4) (S/P)                    |
| 72 | 690853  | WIRE, GROUND (S/P)                        |

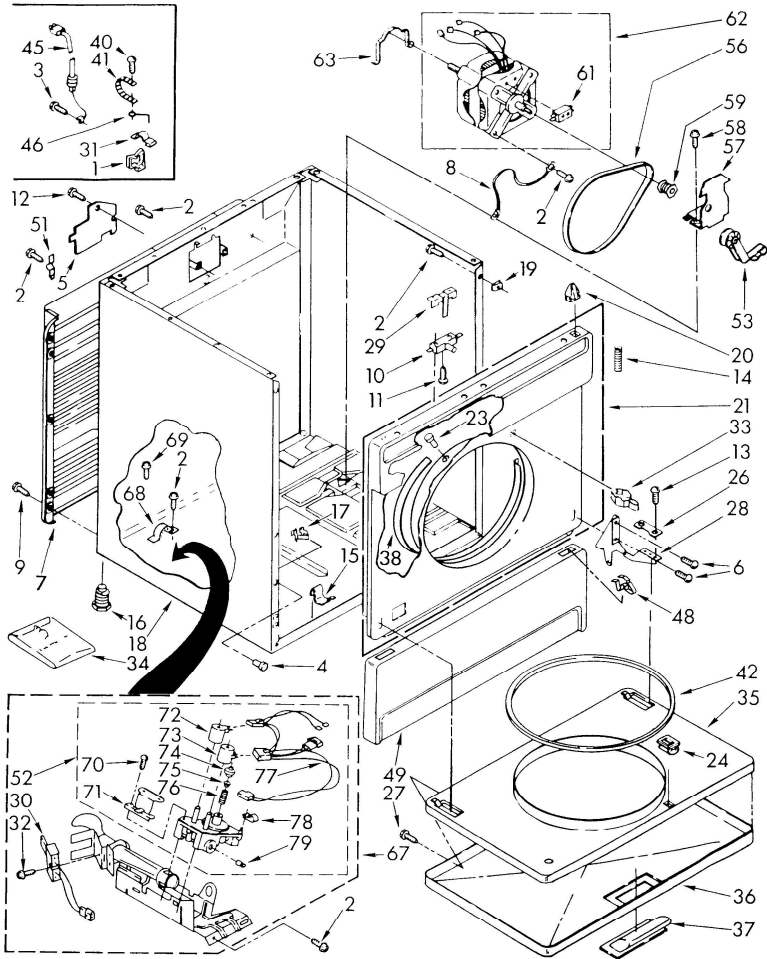
|    |         |  |
|----|---------|--|
| 75 | 691707  | RECEPTACLE, 3-WAY TERMINAL (S/P)         |
| 75 | 353424  | PLUG, 3-WAY TERMINAL (USE W/94613) (S/P) |
| 76 | 694419  | BUZZER                                   |
| 79 | 696321  | <b>DESCONTINUADO</b>                     |
| 81 | 3387894 | KNOB, PUSH-TO-START (S/P)                |
| 83 | 63020   | RACK, LITERATURE (S/P)                   |
| 84 | 596797  | TERMINAL (S/P)                           |

Distribuidor Autorizado

SurteRápido.com

Venta de Refacciones  
Electrodomesticas

# LG5801XSW3 GABINETE





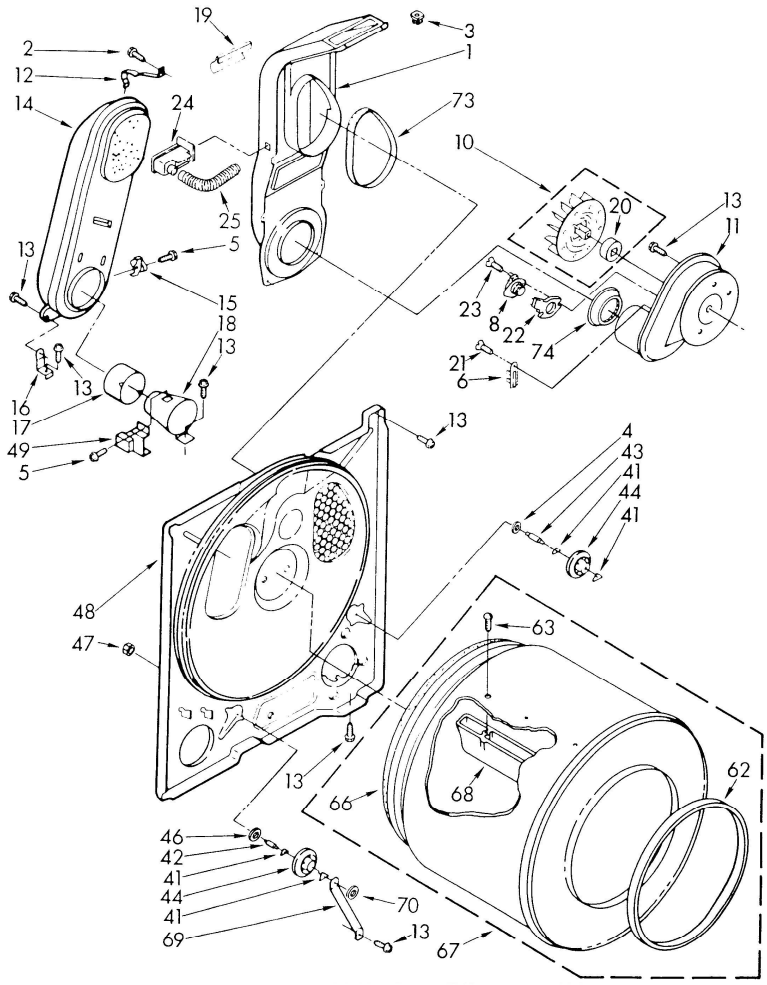
## LG5801XSW3 GABINETE

|    |         |   |
|----|---------|---|
| 1  | 353253  | <b>DESCONTINUADO</b>                        |
| 2  | 343641  | SCREW, 10-16 X 1/2 (S/P)                    |
| 3  | 690989  | SCREW, 10-32 X 1/2 (S/P)                    |
| 4  | 238614  | BUMPER (2) (S/P)                            |
| 5  | 3396795 | COVER, BLOCK (S/P)                          |
| 6  | 342043  | SCREW, 10-32 X 1/2 (S/P)                    |
| 7  | 347736  | <b>DESCONTINUADO</b>                        |
| 8  | 690236  | WIRE, GROUND (MOTOR) (S/P)                  |
| 9  | 693994  | SCREW, HEX WASHER HEAD (7) (S/P)            |
| 10 | 279347  | SWITCH, DOOR                                |
| 11 | 98129   | SCREW, 6-20 X 7/8 (2) (S/P)                 |
| 12 | 693995  | SCREW, 10-16 X 1/2 (S/P)                    |
| 13 | 98518   | SCREW, 10-12 X 1/2 (S/P)                    |
| 14 | 237979  | SPRING, DOOR (2) (S/P)                      |
| 15 | 297092  | CLIP, HINGE (2)                             |
| 16 | 3392100 | FOOT, DRYER (4)                             |
| 17 | 279638  | CLIP  |
| 18 | 3399583 | CABINET (PLATINUM) (S/P)                    |
| 18 | 3399581 | CABINET (ALMOND) (S/P)                      |
| 18 | 3399584 | <b>DESCONTINUADO</b>                        |
| 18 | 3399582 | CABINET (TOAST) (S/P)                       |
| 18 | 3399580 | CABINET (WHITE) (S/P)                       |
| 19 | 98234   | CLIP, GROUND (2) (S/P)                      |
| 20 | 18776   | LOCK, FRONT TOP (2)                         |
| 21 | 689727  | <b>DESCONTINUADO</b>                        |
| 21 | 695494  | FRONT PANEL ASSEMBLY (TOAST) (S/P)          |
| 21 | 695495  | FRONT PANEL ASSEMBLY (PLATINUM) (S/P)       |
| 21 | 689728  | FRONT PANEL ASSEMBLY (ALMOND) (S/P)         |
| 21 | 689731  | FRONT PANEL ASSEMBLY (GOLDEN HARVEST) (S/P) |
| 23 | 279220  | CLIP, FELT PAD (S/P)                        |
| 24 | 279570  | CATCH, DOOR                                 |
| 26 | 337189  | CLIP, HINGE (S/P)                           |
| 27 | 694091  | SCREW (S/P)                                 |

|    |         |                                       |
|----|---------|---------------------------------------|
| 28 | 687906  | HINGE, L.H. (S/P)                     |
| 28 | 687905  | HINGE, R.H. (S/P)                     |
| 29 | 280187  | LEVER, DOOR SWITCH                    |
| 30 | 279311  | IGNITOR                               |
| 31 | 98997   | CLIP, HARNESS (S/P)                   |
| 32 | 686953  | SCREW & WASHER (8-32 X 5/8) (S/P)     |
| 33 | 279570  | STRIKE, DOOR                          |
| 34 | 49572   | CONVERSION KIT TYPE 1 (L.P.G.)        |
| 34 | 279243  | CONVERSION KIT TYPE 1 (NATURAL) (S/P) |
| 35 | 695954  | DOOR, REAR (S/P)                      |
| 36 | 689330  | DOOR, FRONT (ALMOND) (S/P)            |
| 36 | 280003  | DOOR, FRONT (GOLDEN HARVEST) (S/P)    |
| 36 | 348728  | DOOR, FRONT (WHITE) (S/P)             |
| 36 | 695035  | DOOR, FRONT (PLATINUM) (S/P)          |
| 36 | 695034  | DOOR, FRONT (TOAST) (S/P)             |
| 37 | 695176  | HANDLE, DOOR (PLATINUM) (S/P)         |
| 37 | 690270  | HANDLE, DOOR (WHITE) (S/P)            |
| 37 | 690271  | HANDLE, DOOR (ALMOND) (S/P)           |
| 37 | 695176  | HANDLE, DOOR (TOAST) (S/P)            |
| 37 | 689459  | HANDLE, DOOR (GOLDEN HARVEST) (S/P)   |
| 38 | 279264  | SEAL & BEARING ASSEMBLY               |
| 40 | 132848  | SCREW, 10-24 X 1 (S/P)                |
| 41 | 22965   | STRAP, GROUND (S/P)                   |
| 42 | 3390733 | SEAL, DOOR                            |
| 45 | 3401402 | CORD, POWER                           |
| 46 | 303485  | WIRE, GROUND (S/P)                    |
| 48 | 3388229 | RETAINER, TOE PANEL (2)               |
| 49 | 279913  | PANEL, TOE (GOLDEN HARVEST) (S/P)     |
| 49 | 695142  | PANEL, TOE (TOAST) (S/P)              |
| 49 | 279841  | PANEL, TOE (WHITE) (S/P)              |
| 49 | 279835  | <b>DESCONTINUADO</b>                  |
| 49 | 695143  | PANEL, TOE (PLATINUM) (S/P)           |
| 51 | 8066217 | HINGE, TOP (2) (S/P)                  |
| 52 | 279827  | VALVE, 60 HZ. (COMPLETE)              |
| 53 | 691366  | IDLER & PULLEY ASSEMBLY               |
| 56 | 341241  | BELT, DRIVE                           |
| 57 | 348780  | BASE, MOTOR (S/P)                     |
| 58 | 172455  | BOLT, 5/16-18 X 3/4 (S/P)             |

|    |         |   |
|----|---------|---|
| 59 | 3394341 | PULLEY, 60 HZ. <b>(S/P)</b>                         |
| 61 | 3388235 | SWITCH (USE W/695075 MOTOR)                         |
| 62 | 279827  | MOTOR, 60 HZ.                                       |
| 63 | 660658  | CLAMP, MOTOR (2) <b>(S/P)</b>                       |
| 67 | 279536  | <b>DESCONTINUADO</b>                                |
| 68 | 341029  | CLAMP, PIPE <b>(S/P)</b>                            |
| 69 | 343641  | SCREW, BURNER MOUNTING (10-16 X 1/2) <b>(S/P)</b>   |
| 70 | 694421  | SCREW, BRACKET MOUNTING 8-32 X 1/2 (2) <b>(S/P)</b> |
| 71 | 694538  | BRACKET, COIL <b>(S/P)</b>                          |
| 72 | 694540  | COIL, 60 HZ. (2 TERMINAL) (MAIN) <b>(S/P)</b>       |
| 73 | 694539  | COIL, 60 HZ. (SPLIT) (3 TERMINAL) <b>(S/P)</b>      |
| 74 | 694424  | LEAK LIMITER <b>(S/P)</b>                           |
| 75 | 694423  | SCREW, REGULATOR ADJUSTMENT <b>(S/P)</b>            |
| 76 | 694422  | SPRING, REGULATOR <b>(S/P)</b>                      |
| 77 | 3401850 | HARNESS, WIRING (COMPLETE) <b>(S/P)</b>             |
| 78 | 694510  | CLIP, HARNESS <b>(S/P)</b>                          |
| 79 | 239822  | PLUG, PIPE <b>(S/P)</b>                             |

**LG5801XSW3 TAMBOR**





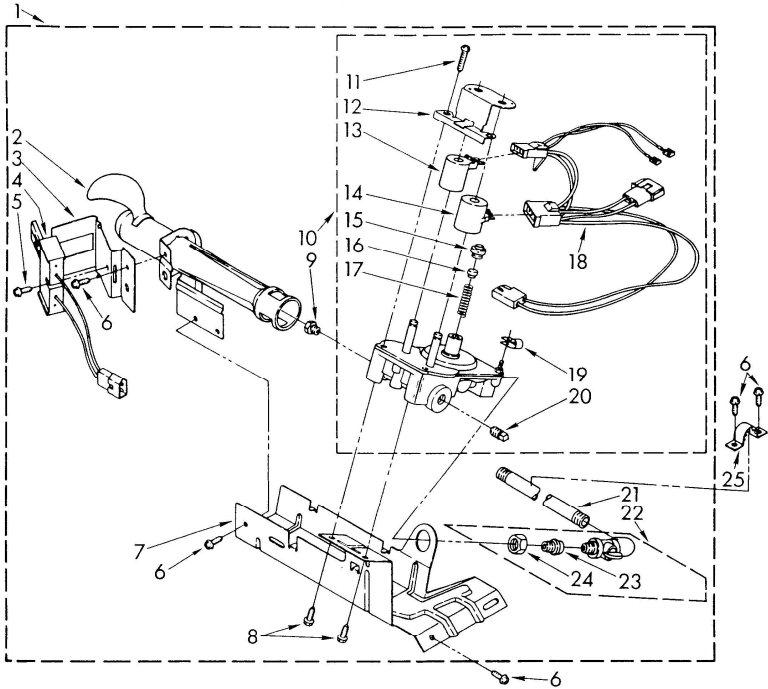


## LG5801XSW3 TAMBOR

|    |         |                                       |
|----|---------|---------------------------------------|
| 1  | 686215  | LINT CHUTE (S/P)                      |
| 2  | 687128  | SCREW, 10-16 X 1/2 (S/P)              |
| 3  | 98460   | NUT, PUSH-IN (S/P)                    |
| 4  | 3388703 | WASHER-SUPPORT (S/P)                  |
| 5  | 339554  | SCREW, 10-16 X 5/16 (S/P)             |
| 6  | 3392519 | FUSE, THERMAL                         |
| 8  | 694674  | THERMOSTAT, 150~F (66~C)              |
| 10 | 694089  | WHEEL, BLOWER (INCLUDES ILLUS. 20)    |
| 11 | 8577230 | HOUSING, BLOWER (S/P)                 |
| 12 | 279771  | CLIP (S/P)                            |
| 13 | 343641  | SCREW, 10-16 X 1/2 (S/P)              |
| 14 | 279900  | BOX, HEATER                           |
| 15 | 279048  | THERMOSTAT, 205~F (96~C) (ALT.)       |
| 15 | 341196  | THERMOSTAT, 205~F (96~C) (ALT.) (S/P) |
| 16 | 337445  | SUPPORT, HEATER BOX (2) (S/P)         |
| 17 | 279900  | COLLAR, FUNNEL                        |
| 18 | 279900  | FUNNEL, BURNER                        |
| 19 | 686769  | SUPPORT PROTECTOR (S/P)               |
| 20 | 3394196 | SEAL, BLOWER (S/P)                    |
| 21 | 695239  | SCREW, 8-18 X 3/8 (S/P)               |
| 22 | 61894   | HEATER, THERMOSTAT                    |
| 23 | 695240  | SCREW, 8-18 X 1/2 (S/P)               |
| 24 | 690981  | <b>DESCONTINUADO</b>                  |
| 25 | 686577  | <b>DESCONTINUADO</b>                  |
| 41 | 690997  | RING, TRI (S/P)                       |
| 42 | 3399506 | SHAFT, L.H.                           |
| 43 | 339489  | SHAFT, R.H.                           |
| 44 | 349241  | ROLLER, SUPPORT                       |
| 46 | 348197  | WASHER, SUPPORT (S/P)                 |
| 47 | 358160  | NUT, 3/8-16 (S/P)                     |
| 48 | 279793  | BULKHEAD (S/P)                        |
| 49 | 338906  | SENSOR, RADIANT                       |
| 62 | 3394509 | RING, BEARING                         |

|    |         |                          |
|----|---------|--------------------------|
| 63 | 690372  | SCREW, 11-16 X 7/8 (S/P) |
| 66 | 239087  | SEAL, REAR DRUM          |
| 67 | 697760  | DRUM ASSEMBLY (S/P)      |
| 68 | 342847  | BAFFLE, DRUM (S/P)       |
| 69 | 3976435 | BRACKET, SUPPORT (S/P)   |
| 70 | 90296   | CLIP (S/P)               |
| 73 | 339956  | SEAL (S/P)               |
| 74 | 696302  | SHIELD, EXHAUST (S/P)    |

**LG5801XSW3 QUEMADOR**





## LG5801XSW3 QUEMADOR

|    |         |   |
|----|---------|---|
| 1  | 279536  | <b>DESCONTINUADO</b>                      |
| 2  | 693148  | TUBE, BURNER (S/P)                        |
| 3  | 694298  | BRACKET, IGNITOR (S/P)                    |
| 4  | 279311  | IGNITOR 686590 (ALT.)                     |
| 5  | 686953  | SCREW & WASHER (8-32 X 5/8) (S/P)         |
| 6  | 343641  | SCREW, 10-16 X 1/2 (S/P)                  |
| 7  | 693986  | <b>DESCONTINUADO</b>                      |
| 8  | 339527  | SCREW, 8-32 X 3/8 (2) (S/P)               |
| 9  | 234868  | ORIFICE, BURNER (TYPE 4 (PROPANE)) (S/P)  |
| 9  | 229742  | ORIFICE, BURNER (TYPE 4 (BUTANE)) (S/P)   |
| 9  | 234826  | ORIFICE, BURNER (TYPE 1) (S/P)            |
| 9  | 15419   | ORIFICE, BURNER (TYPE 3) (S/P)            |
| 9  | 15775   | <b>DESCONTINUADO</b>                      |
| 10 | 279923  | VALVE, 60 HZ.                             |
| 11 | 694421  | SCREW, 8-32 X 1/2 (2) (S/P)               |
| 12 | 694538  | BRACKET, COIL (S/P)                       |
| 13 | 694540  | COIL, 60 HZ. (2 TERMINAL) (MAIN) (S/P)    |
| 14 | 694539  | COIL, 60 HZ. (SPLIT) (3 TERMINAL) (S/P)   |
| 15 | 694424  | LEAK LIMITER (S/P)                        |
| 16 | 694423  | SCREW, REGULATOR ADJUSTMENT (S/P)         |
| 17 | 694422  | SPRING, REGULATOR (S/P)                   |
| 18 | 3401850 | HARNESS, WIRING (COMPLETE) (S/P)          |
| 19 | 694510  | CLIP, HARNESS (S/P)                       |
| 20 | 239822  | PLUG, PIPE (S/P)                          |
| 21 | 696237  | PIPE, GAS SUPPLY (S/P)                    |
| 22 | 3393659 | VALVE & UNION, SHUT-OFF (S/P)             |
| 23 | 3393767 | PIPE, TAIL (S/P)                          |
| 24 | 233076  | NUT, COMPRESSION (S/P)                    |
| 25 | 341029  | CLAMP, PIPE (S/P)                         |
| 25 | 279243  | CONVERSION KIT TYPE (1) NATURAL (S/P)     |
| 25 | 49572   | CONVERSION KIT (TYPE 1, 2 & 3) (4) L.P.G. |