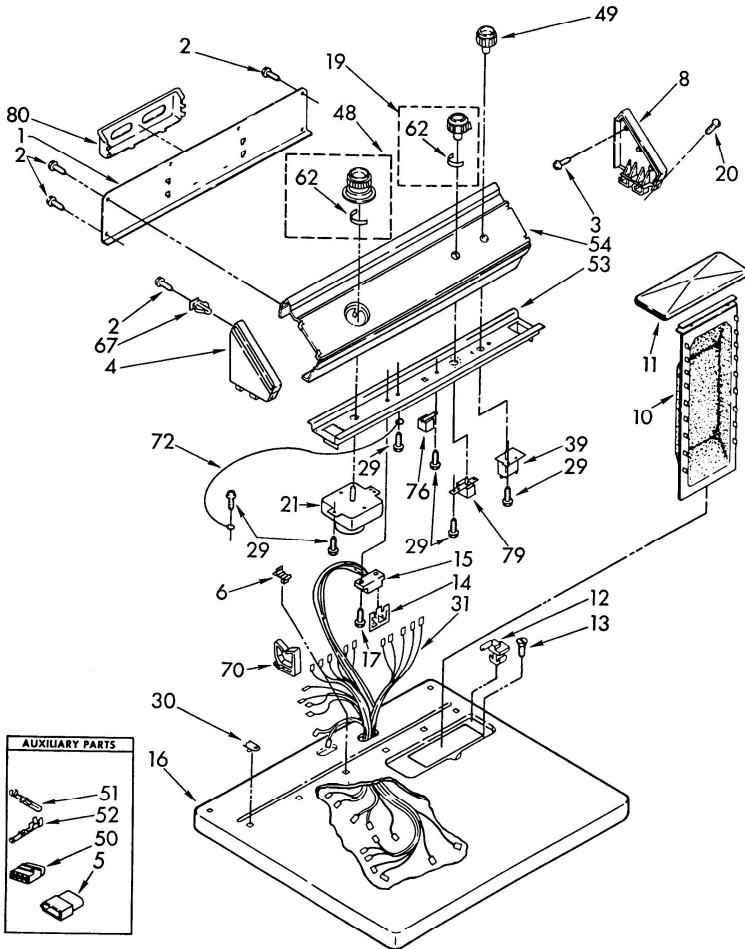


Distribuidor Autorizado

SurteRápido.com

Venta de Refacciones
Electrodomesticas

LG7801XSW1 TABLERO





LG7801XSW1 TABLERO

1	8066156	PANEL, REAR CONSOLE (S/P)
2	693994	SCREW, 10-16 X 1/2 (S/P)
3	355326	SCREW, 13/16 X 5/8 (S/P)
4	63789	CAP, END (L.H.) (S/P)
5	353424	PLUG, 3-WAY TERMINAL (S/P)
6	358472	DESCONTINUADO
8	285653	CAP, END. (R.H.)
10	349639	HANDLE & LINT SCREEN ASSEMBLY
11	697369	COVER, LINT SCREEN (TOAST) (S/P)
11	697368	COVER, LINT SCREEN (ALMOND) (S/P)
11	697367	COVER, LINT SCREEN (WHITE) (S/P)
11	697370	COVER, LINT SCREEN (PLATINUM) (S/P)
11	689313	COVER, LINT SCREEN (GOLDEN HARVEST) (S/P)
12	3978605	HINGE, R.H. (S/P)
12	3978606	HINGE, L.H. (S/P)
13	688983	SCREW, 8-18 X 5/8 (S/P)
14	3398084	CONTROL, ELECTRONIC
15	341141	DESCONTINUADO
16	3393386	TOP (ALMOND) (S/P)
16	3393388	TOP (TOAST) (S/P)
16	3393385	DESCONTINUADO
16	3393389	TOP (PLATINUM) (S/P)
16	3393387	TOP (GOLDEN HARVEST) (S/P)
17	343641	SCREW, GROUND 10-16 X 1/2 (S/P)
19	386635	DESCONTINUADO
20	64211	SCREW, 8-18 (S/P)
21	3389865	TIMER ASSEMBLY (60 HZ.) (S/P)
29	339554	SCREW (S/P)
30	358473	NUT, PUSH-IN (2) (S/P)
31	3388059	HARNESS, WIRING (S/P)
39	348314	RELAY, PUSH-TO-START (S/P)
48	3387900	TIMER KNOB ASSEMBLY (S/P)
49	3387894	KNOB, PUSH TO START (S/P)

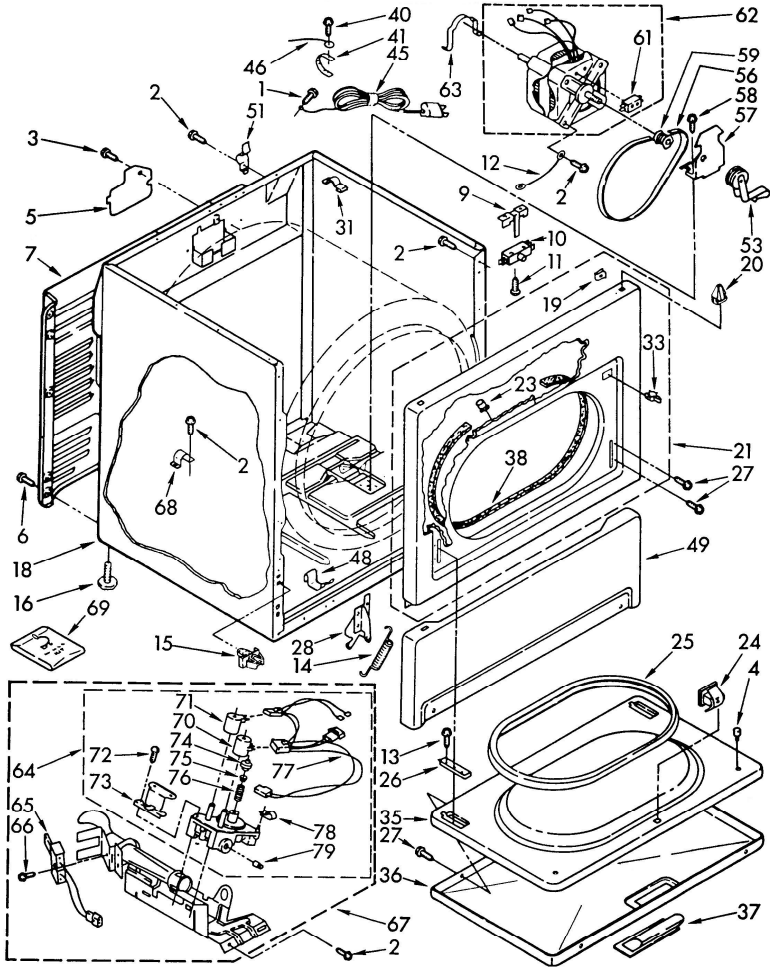
50	691707	RECEPTACLE, TERMINAL (S/P)
51	596797	TERMINAL, MALE (S/P)
52	94614	TERMINAL, FEMALE (S/P)
53	3394061	BRACKET, CONTROL (S/P)
54	3387691	PANEL, CONTROL (S/P)
62	688805	CLIP (S/P)
67	689559	NUT, PUSH-ON (4) (S/P)
70	353253	DESCONTINUADO
72	690853	WIRE, GROUND (S/P)
76	694419	BUZZER, MINI
79	696321	DESCONTINUADO
80	63020	RACK, LITERATURE (S/P)

Distribuidor Autorizado

SurteRápido.com

Venta de Refacciones
Electrodomesticas

LG7801XSW1 GABINETE





LG7801XSW1 GABINETE

1	690989	SCREW, 10-32 X 1/2 (EXTERNAL GROUND) (S/P)
2	343641	SCREW, 10-16 X 1/2 (S/P)
3	693995	SCREW, 10-16 X 1/2 (S/P)
4	238614	BUMPER (S/P)
5	690893	COVER, BLOCK (S/P)
6	693994	SCREW, HEX WASHER HEAD (S/P)
7	348364	DESCONTINUADO
9	691581	LEVER, DOOR SWITCH
10	279347	SWITCH, DOOR
11	98129	SCREW, 6-20 X 1-3/8 (S/P)
12	690236	WIRE, GROUND (S/P)
13	98518	SCREW, 10-12 X 1/2 (S/P)
14	692495	SPRING, DOOR (2) (S/P)
15	279638	CLIP, TOE PANEL (2)
16	3392100	FOOT, DRYER (4)
18	694876	CABINET (TOAST) (S/P)
18	3399590	CABINET (GOLDEN HARVEST) (S/P)
18	3406813	CABINET (ALMOND) (S/P)
18	694877	CABINET (PLATINUM) (S/P)
18	3406812	CABINET (WHITE) (S/P)
19	98234	CLIP, GROUND (2) (S/P)
20	18776	LOCK, FRONT TOP (2)
21	279604	PANEL FRONT (GOLDEN HARVEST) (S/P)
21	279740	PANEL FRONT (WHITE) (S/P)
21	279741	PANEL FRONT (ALMOND) (S/P)
21	279600	PANEL FRONT (TOAST) (S/P)
21	279601	PANEL FRONT (PLATINUM) (S/P)
23	279220	CLIP, FELT PAD (2) (S/P)
24	279570	CATCH, DOOR ASSEMBLY
25	3390731	SEAL, DOOR
26	337189	CLIP, HINGE (2) (S/P)
27	694091	SCREW (S/P)
28	8066056	HINGE, R.H. (S/P)

28	8066057	HINGE, L.H. (S/P)
31	98997	CLIP, HARNESS (S/P)
33	279570	STRIKE, PANEL
35	695737	DOOR, REAR (S/P)
36	695131	DOOR, FRONT (PLATINUM) (S/P)
36	280000	DOOR, FRONT (TOAST) (S/P)
36	3393549	DOOR, FRONT (WHITE) (S/P)
36	3393550	DOOR, FRONT (ALMOND) (S/P)
36	280001	DOOR, FRONT (GOLDEN HARVEST) (S/P)
37	348721	HANDLE, DOOR (WHITE) (S/P)
37	690271	HANDLE, DOOR (ALMOND) (S/P)
37	695176	HANDLE, DOOR (PLATINUM) (S/P)
37	689459	HANDLE, DOOR (GOLDEN HARVEST) (S/P)
38	3406129	SEAL & BEARING ASSEMBLY
40	132848	SCREW, 10-24 X 1 (S/P)
41	22965	CLAMP, GROUND (S/P)
45	3401402	CORD, POWER
46	303485	WIRE, GROUND (S/P)
48	297092	CLIP, HINGE (2)
49	279841	PANEL, TOE (WHITE) (S/P)
49	279835	DESCONTINUADO
49	695143	PANEL, TOE (PLATINUM) (S/P)
49	695142	PANEL, TOE (TOAST) (S/P)
49	279913	PANEL, TOE (GOLDEN HARVEST) (S/P)
51	8066217	HINGE, TOP (2) (S/P)
53	691366	IDLER & PULLEY ASSEMBLY
56	341241	BELT, DRIVE
57	348780	BASE, MOTOR (S/P)
58	172455	BOLT, 5/16-18 X 3/4 (S/P)
59	3394341	PULLEY, 60 HZ. (S/P)
61	3388235	SWITCH (USE W/695075 MOTOR)
62	279827	MOTOR ASSEMBLY 60 HZ.
63	660658	CLAMP, MOTOR (2) (ALT.)
64	279923	VALVE, GAS 60 HZ. (COMPLETE)
65	WE4X750	IGNITOR (686590) (ALT.)
66	686953	LOCK SCREW & WASHER (8-32 X 5/8) (S/P)
67	279536	DESCONTINUADO
68	341029	CLAMP, PIPE (S/P)

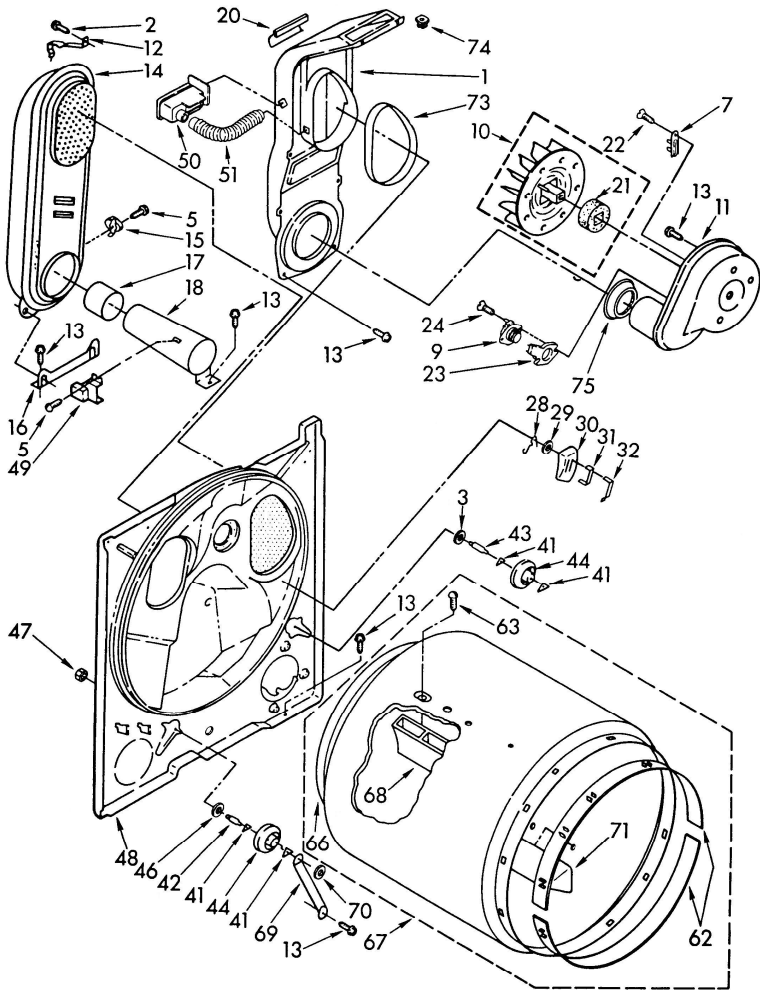
69	49572	KIT, CONVERSION TYPE 1, 2 & 3 TO TYPE 4 (LPG)
69	279243	KIT, CONVERSION TYPE 1 TO TYPE 3 (MFD) (S/P)
70	694539	COIL, 60 HZ. SPLIT (3 TERMINAL) (S/P)
71	694540	COIL, 60 HZ. (2 TERMINAL) (MAIN) (S/P)
72	694421	SCREW, BRACKET MOUNTING (8-32 X 1/2) 2 (S/P)
73	694538	BRACKET, COIL (S/P)
74	694424	LEAK LIMITER (S/P)
75	694423	SCREW, REGULATOR ADJUSTMENT (S/P)
76	694422	SPRING, REGULATOR (S/P)
77	3401850	HARNESS, WIRING (COMPLETE) (S/P)
78	694510	CLIP, HARNESS (S/P)
79	239822	PLUG, PIPE (S/P)

Distribuidor Autorizado

SurteRápido.com

Venta de Refacciones
Electrodomesticas

LG7801XSW1 TAMBOR



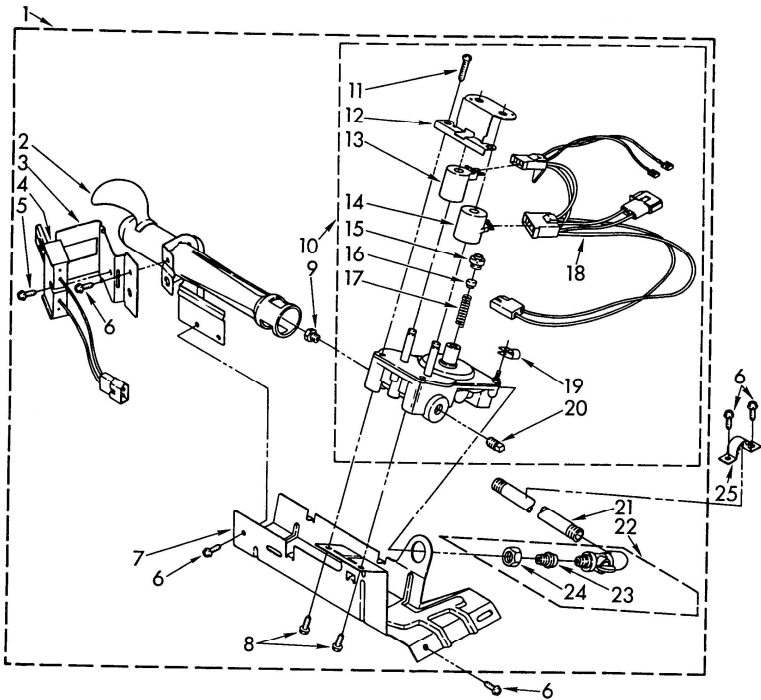


LG7801XSW1 TAMBOR

1	3398144	LINT CHUTE ASSEMBLY (S/P)
2	687128	SCREW, 10-16 X 1/2 (S/P)
3	3388703	WASHER-SUPPORT (S/P)
5	90767	SCREW, 8 X 3/8 (S/P)
7	3392519	FUSE, THERMAL
9	694674	THERMOSTAT, OPERATING (150~F) (65.6~C)
10	694089	WHEEL, BLOWER
11	8577230	HOUSING, BLOWER (S/P)
12	279771	CLIP (S/P)
13	343641	SCREW, 10-16 X 1/2 (S/P)
14	279900	BOX, HEATER
15	279048	THERMOSTAT, 205~F (96~C)
15	341196	THERMOSTAT, 205~F (96~C) (ALT.) (S/P)
16	348484	SUPPORT, HEATER BOX (S/P)
17	279900	COLLAR, FUNNEL
18	279900	FUNNEL, BURNER
20	686769	SUPPORT PROTECTOR (S/P)
21	3394146	SEAL, BLOWER (S/P)
22	695239	SCREW, 8-18 X 3/8 (S/P)
23	61894	HEATER, THERMOSTAT
24	695240	SCREW, 8-18 X 1/2 (2) (S/P)
28	342267	CLIP, SENSOR (S/P)
29	298877	WASHER, INSULATING (S/P)
30	279366	PAD, SENSOR (S/P)
31	348859	ELECTRODE, INSIDE (S/P)
32	348860	ELECTRODE, OUTSIDE (S/P)
41	690997	RING, TRI (S/P)
42	3399506	SHAFT, L.H.
43	339489	SHAFT, R.H.
44	349241	ROLLER, SUPPORT
46	348197	WASHER, SUPPORT (S/P)
47	358160	NUT, 3/8-16 (S/P)
48	279799	BULKHEAD (S/P)

49	338906	SENSOR, RADIANT
50	690981	DESCONTINUADO
51	686577	DESCONTINUADO
62	279441	RING, BEARING
63	690372	SCREW, 11-16 X 7/8 (S/P)
66	279408	SEAL, REAR DRUM
67	695587	DRUM ASSEMBLY (S/P)
68	692490	BAFFLE, DRUM (2) (S/P)
69	3946434	BRACKET, SUPPORT (S/P)
70	90296	CLIP (S/P)
71	3403636	BAFFLE, DRUM (1) (S/P)
73	339956	SEAL (S/P)
74	98460	NUT, PUSH-IN (2) (S/P)
75	696302	SHIELD, EXHAUST (S/P)

LG7801XSW1 QUEMADOR





LG7801XSW1 QUEMADOR

1	279536	DESCONTINUADO
2	693140	TUBE, BURNER (S/P)
3	WE4X750	BRACKET, IGNITOR
4	WE4X750	IGNITOR 686590 (ALT.)
5	686953	SCREW & WASHER (8-32 X 5/8) (S/P)
6	343641	SCREW, 10-16 X 1/2 (S/P)
7	693986	DESCONTINUADO
8	339527	SCREW, 8-32 X 3/8 (2) (S/P)
9	234826	ORIFICE, BURNER (TYPE 1) (S/P)
9	15419	ORIFICE, BURNER (TYPE 3) (S/P)
9	15775	DESCONTINUADO
9	234868	ORIFICE, BURNER (TYPE 4 (PROPANE)) (S/P)
9	229742	ORIFICE, BURNER (TYPE 4 (BUTANE)) (S/P)
10	279923	VALVE, 60 HZ.
11	694421	SCREW, 8-32 X 1/2 (2) (S/P)
12	694538	BRACKET, COIL (S/P)
13	694540	COIL, 60 HZ. (2 TERMINAL) (MAIN) (S/P)
14	694539	COIL, 60 HZ. (SPLIT) (3 TERMINAL) (S/P)
15	694424	LEAK LIMITER (S/P)
16	694423	SCREW, REGULATOR ADJUSTMENT (S/P)
17	694422	SPRING, REGULATOR (S/P)
18	3401850	HARNESS, WIRING (COMPLETE) (S/P)
19	694510	CLIP, HARNESS (S/P)
20	239822	PLUG, PIPE (S/P)
21	696237	PIPE, GAS SUPPLY (S/P)
22	3393659	VALVE & UNION, SHUT-OFF (S/P)
23	3393767	PIPE, TAIL (S/P)
24	233076	NUT, COMPRESSION (S/P)
25	341029	CLAMP, PIPE (S/P)
25	279243	CONVERSION KIT TYPE (1) NATURAL TO TYPE (S/P)
25	49572	CONVERSION KIT (TYPE 1, 2 & 3) (S/P)