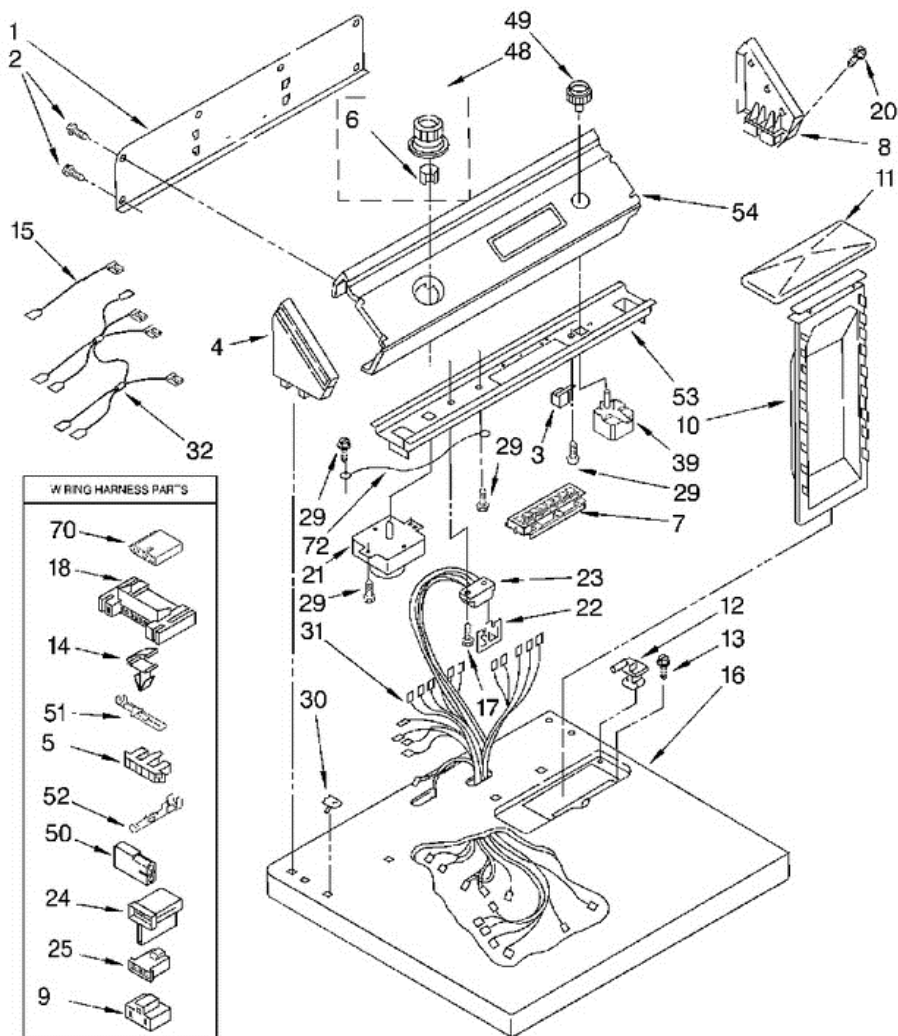


Distribuidor Autorizado

SurteRápido.com

Venta de Refacciones
Electrodomesticas

LGC8858EZ0 TABLERO





LGC8858EZ0 TABLERO

1	3397545	PANEL, REAR CONSOLE
2	693995	SCREW, HEX HEAD
3	694419	BUZZER, MINI
4	3358528	CAP, END (L.H.) (WHITE)
4	3358529	CAP, END (L.H.) (ALMOND)
5	3397269	CONNECTOR, TIMER
6	688805	CLIP
7	3403969	SWITCH, CLEAN TOUCH (WHITE)
7	3403970	SWITCH, CLEAN-TOUCH (ALMOND)
8	3358513	CAP, END (R.H.) (WHITE)
8	3358514	CAP, END (R.H.) (ALMOND)
9	3401144	CONNECTOR (RELAY/BUZZER)
10	349639	HANDLE & LINT SCREEN ASSEMBLY
11	688150	COVER, LINT SCREEN (WHITE)
11	689310	COVER, LINT SCREEN (ALMOND)
12	339229	HINGE, R.H.
12	339230	HINGE, L.H.
13	688983	SCREW, 8-18 X 5/8
14	3394427	CLIP-HARNESS
15	3393811	WIRE, JUMPER (VIOLET)
15	3393812	WIRE, JUMPER (BLUE)
16	3396022	TOP (WHITE)
16	3396023	TOP (ALMOND)
17	343641	SCREW, 10-16 X 1/2
18	3395683	CONNECTOR (MOTOR)
20	388326	SCREW, CONSOLE
21	3397273	TIMER ASSEMBLY (60 HZ.)
22	3390537	CONTROL, ELECTRONIC
23	3391885	CONNECTOR, EDGE
24	3403499	CONNECTOR, 2-POSITION GAS VALVE
25	3403498	CONNECTOR, 3-POSITION (GAS VALVE)
29	3390646	SCREW, 8-18 X 5/16
30	357213	NUT, PUSH-IN (2)

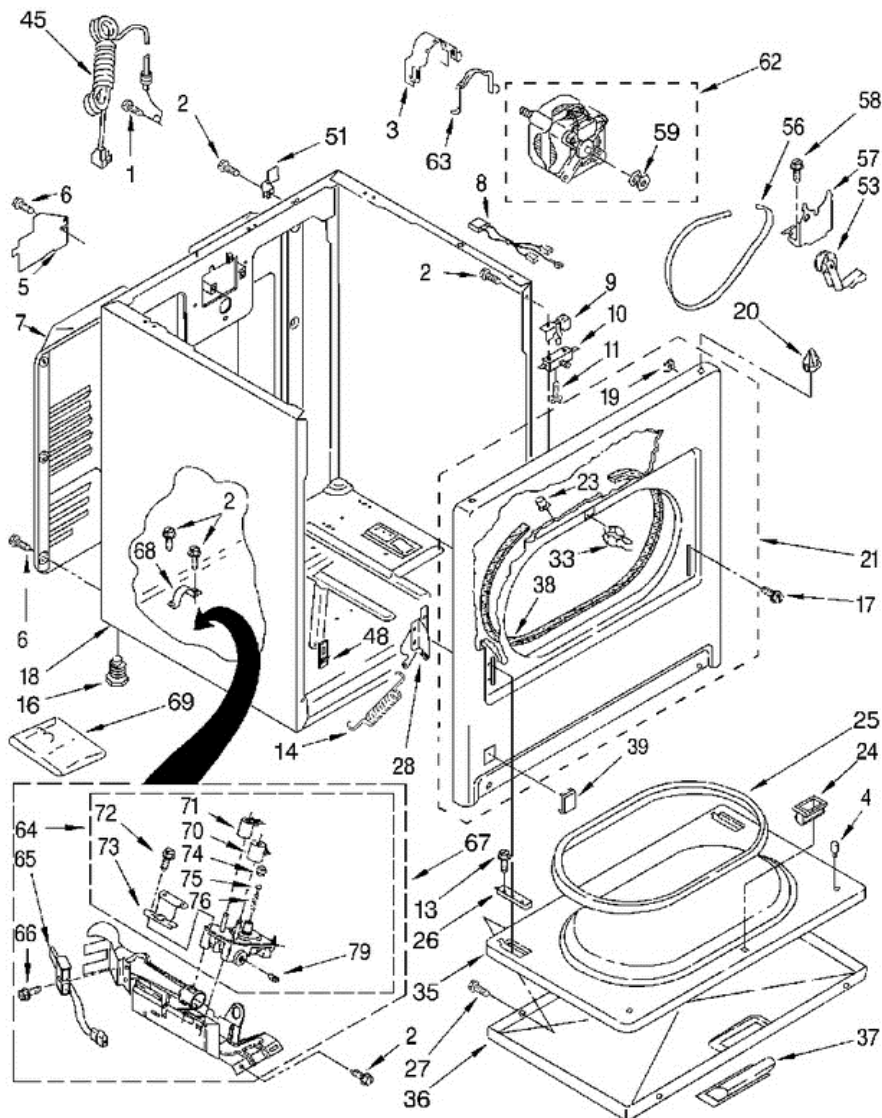
31	3405137	HARNESS, WIRING
32	3396032	WIRE, JUMPER (SIGNAL BYPASS)
39	3398094	RELAY, PUSH-TO-START
48	3396146	TIMER KNOB ASSEMBLY (WHITE)
48	3396149	TIMER KNOB ASSEMBLY (ALMOND)
49	3396161	KNOB, PUSH TO START (WHITE)
49	3396164	KNOB, PUSH-TO-START (ALMOND)
50	717252	RECEPTACLE, 2 WAY
51	94613	TERMINAL, (MALE)
52	94614	TERMINAL (FEMALE)
53	3396295	BRACKET, CONTROL
54	3399060	PANEL, CONTROL (WHITE)
54	3399061	PANEL, CONTROL (ALMOND)
70	353425	CONNECTOR (DOOR SWITCH)
72	690853	WIRE, GROUND

Distribuidor Autorizado

SurteRápido.com

Venta de Refacciones
Electrodomesticas

LGC8858EZ0 GABINETE





LGC8858EZ0 GABINETE

1	697776	SCREW, 10-32 X 1/2 (EXTERNAL GROUND)
2	343641	SCREW, 10-16 X 1/2
3	3404162	CLAMP, MOTOR (W/SHIELD)
4	238614	BUMPER
5	3396795	COVER, BLOCK
6	693995	SCREW, HEX WASHER HEAD
7	3396805	PANEL, REAR
8	3405101	HARNESS, WIRING (DOOR SWITCH)
9	691581	LEVER, DOOR SWITCH
10	3397503	SWITCH, DOOR
11	98129	SCREW, 6-20 X 1-3/8
13	3357011	SCREW, 10-16 X 1/2
14	692495	SPRING, DOOR (2)
16	279810	FOOT-OPTIONAL (EXTENDED LENGTH PACKAGE)
16	3392100	FOOT, DRYER
17	342043	SCREW
18	3399585	CABINET (INCLUDES NOS. 5,7,16,48, & 57) (WHITE)
18	3399586	CABINET (INCL. NOS. 5, 7, 16, 48, & 57) (ALMOND)
19	98234	CLIP, GROUND (2)
20	690363	LOCK, FRONT TOP (2)
21	3395197	PANEL FRONT (WHITE)
21	3395198	PANEL, FRONT (ALMOND)
23	685203	CLIP, FELT PAD (2)
24	3398175	CATCH, DOOR ASSEMBLY
25	3390731	SEAL, DOOR
26	337189	CLIP, HINGE (2)
27	694091	SCREW
28	692498	HINGE, R.H.
28	692501	HINGE, L.H.
33	696144	STRIKE, PANEL
35	695737	DOOR, REAR
36	3393549	DOOR, FRONT (WHITE)
36	3393550	DOOR, FRONT (ALMOND)

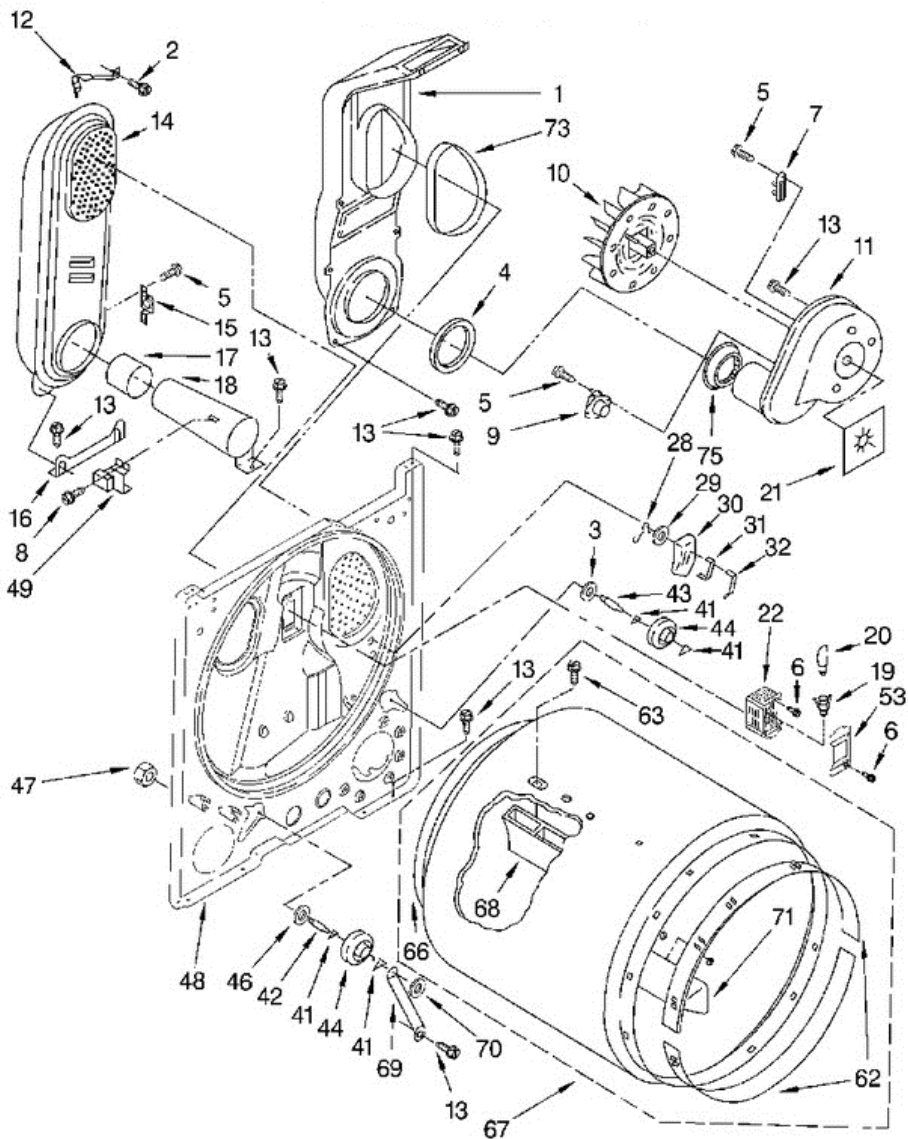
37	690270	HANDLE, DOOR (WHITE)
37	690271	HANDLE, DOOR (ALMOND)
38	692493	SEAL & BEARING ASSEMBLY
39	3394975	PLUG, FRONT PANEL (WHITE)
39	3394976	PLUG, FRONT PANEL (ALMOND)
45	344020	CORD, POWER
48	3394083	CLIP, FRONT PANEL
51	238088	HINGE, TOP (2)
53	691366	IDLER & PULLEY ASSEMBLY
56	660996	BELT, DRIVE
57	348780	BASE, MOTOR
58	3400500	BOLT, 5/16-18 X 3/4
59	3401143	PULLEY, 60 HZ.
62	3395652	MOTOR ASSEMBLY 60 HZ.
63	660658	CLAMP, MOTOR
64	3401775	VALVE, GAS 60 HZ. (COMPLETE)
65	686590	IGNITOR
66	3393909	LOCK SCREW & WASHER (8-32 X 5/8)
67	3401771	BURNER ASSEMBLY, 60 HZ. (SEE BURNER ASS.)
68	341029	CLAMP, PIPE
69	694572	KIT, CONVERSION TYPE 1, 2 & 3 TO TYPE 4 (LPG)
70	694539	COIL, 60 HZ. (SPLIT) (3 TERMINAL) (PILOT POSITION)
71	694540	COIL, 60 HZ. (2 TERMINAL) (MAIN)
72	694421	SCREW, BRACKET MOUNTING (8-32 X 1/2) (2)
73	694538	BRACKET, COIL
74	694424	LEAK, LIMITER
75	694423	SCREW, REGULATOR ADJUSTMENT
76	694422	SPRING, REGULATOR
79	239822	PLUG, PIPE

Distribuidor Autorizado

SurteRápido.com

Venta de Refacciones
Electrodomesticas

LGC8858EZ0 TAMBOR



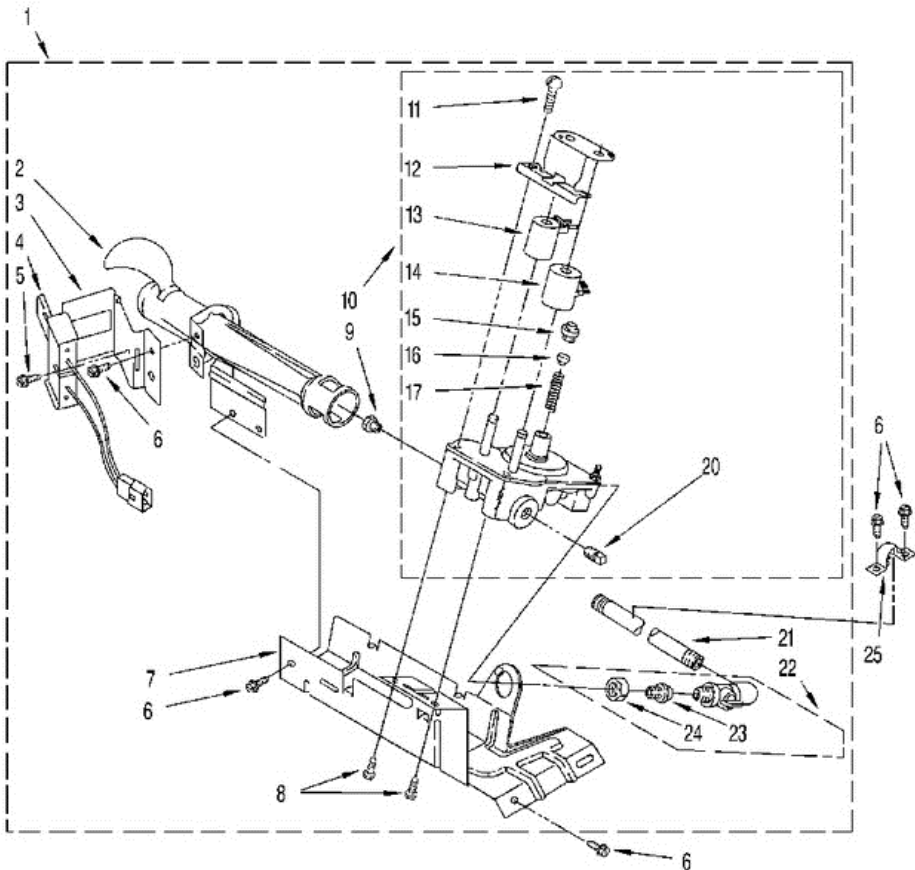


LGC8858EZ0 TAMBOR

1	348368	LINT CHUTE ASSEMBLY
2	3400800	SCREW, 8-18 X 3/4
3	3388703	WASHER, SUPPORT
4	347139	SEAL, LINT CHUTE
5	90767	SCREW, 8 X 3/8
6	3357011	SCREW, 10-16 X 1/2
7	3392519	FUSE, THERMAL
8	339554	SCREW
9	3387134	THERMOSTAT, INTERNAL-BIAS
10	694089	WHEEL, BLOWER (INCLUDES ILLUS. NO. 21)
11	3405016	HOUSING, BLOWER
12	3398161	CLIP
13	343641	SCREW, 10-16 X 1/2
14	685458	BOX, HEATER
15	3403140	THERMOSTAT, 205Å°F (96Å°C)
16	348484	SUPPORT, HEATER BOX
17	348516	COLLAR, FUNNEL
18	347389	FUNNEL, BURNER
19	3403634	SOCKET ASSEMBLY
20	851389	BULB
21	3392123	SEAL, BLOWER
22	3404232	BRACKET, DRUM LIGHT
28	342267	CLIP, SENSOR
29	298877	WASHER, INSULATING
30	348861	PAD, SENSOR
31	348859	ELECTRODE, INSIDE
32	348860	ELECTRODE, OUTSIDE
41	690997	RING, TRI
42	3399506	SHAFT, L.H.
43	3399507	SHAFT, R.H.
44	3397588	ROLLER, SUPPORT
46	348197	WASHER, SUPPORT
47	3359452	NUT, 3/8-16

48	3403414	BULKHEAD
49	338906	SENSOR, RADIANT
53	3403635	LENS, DRUM LIGHT
62	692526	RING, BEARING (2)
63	97787	SCREW, 11-16 X 7/8
66	347885	SEAL, REAR DRUM
67	695587	DRUM ASSEMBLY
68	692490	BAFFLE, DRUM (2)
69	3394133	BRACKET, SUPPORT
70	90296	CLIP
71	3403636	BAFFLE, DRUM (1)
73	339956	SEAL
75	696302	SHIELD, EXHAUST

LGC8858EZ0 QUEMADOR





LGC8858EZ0 QUEMADOR

1	3401771	BURNER ASS. 60 HZ. (TYPE 1, 2 & 3) (WHITE)
2	688617	TUBE, BURNER
3	694298	BRACKET, IGNITOR
4	686590	IGNITOR
5	3393909	SCREW & WASHER (8-32 X 5/8)
6	343641	SCREW, 10-16 X 1/2
7	693986	BASE, BURNER
8	3387057	SCREW, 8-18 X 3/8 (2)
9	15419	ORIFICE, BURNER (TYPE 3)
9	15775	ORIFICE, BURNER (TYPE 2)
9	229742	ORIFICE, BURNER (TYPE 4 (BUTANE))
9	234826	ORIFICE, BURNER TYPE 1
9	234868	ORIFICE, BURNER (TYPE 4 (PROPANE))
10	3401775	VALVE, GAS 60 HZ. (COMPLETE)
11	694421	SCREW, BRACKET MOUNTING (8-32 X 1/2) (2)
12	694538	BRACKET, COIL
13	694540	COIL, 60 HZ. (2 TERMINAL) (MAIN)
14	694539	COIL, 60 HZ. (SPLIT) (3 TERMINAL) (PILOT POSITION)
15	694424	LEAK, LIMITER
16	694423	SCREW, REGULATOR ADJUSTMENT
17	694422	SPRING, REGULATOR
20	239822	PLUG, PIPE
21	233273	PIPE, GAS SUPPLY
22	345062	VALVE & UNION, SHUT-OFF
23	3393767	PIPE, TAIL
24	233076	NUT, COMPRESSION
25	341029	CLAMP, PIPE
25	694572	CONVERSION KIT (TYPE 1, 2 & 3 TO TYPE 4) (L.P.G.)