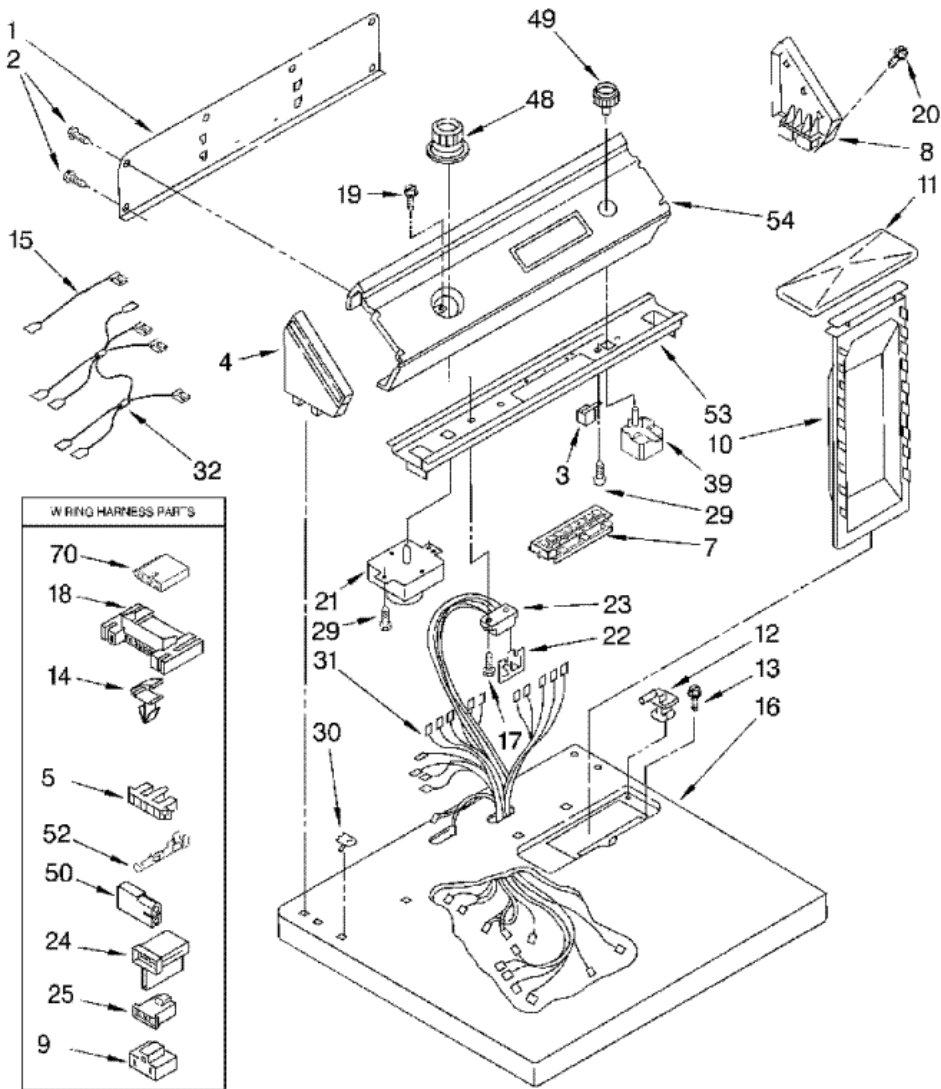


Distribuidor Autorizado

SurteRápido.com

Venta de Refacciones  
Electrodomesticas

# LGC8858EZ3 TABLERO





## LGC8858EZ3 TABLERO

1	3397545	PANEL, REAR CONSOLE (S/P)
2	693995	SCREW, HEX HEAD (S/P)
3	694419	BUZZER, MINI
4	285846	CAP, END (L.H.) (WHITE)
4	285848	CAP, END (L.H.) (ALMOND) (S/P)
5	3397269	CONNECTOR (TIMER) (S/P)
7	3396236	SWITCH, CLEAN-TOUCH (WHITE) (S/P)
7	3403970	SWITCH, CLEAN-TOUCH (ALMOND) (S/P)
8	285846	CAP, END (R.H.) (WHITE)
8	3358514	CAP, END (R.H.) (ALMOND) (S/P)
9	3401144	CONNECTOR (RELAY/BUZZER) (S/P)
10	349639	HANDLE & LINT SCREEN ASSEMBLY
11	697368	COVER, LINT SCREEN (ALMOND) (S/P)
11	697367	COVER, LINT SCREEN (WHITE) (S/P)
12	3978605	HINGE, R.H. (S/P)
12	3978606	HINGE, L.H. (S/P)
13	688983	SCREW, 8-18 X 5/8 (S/P)
14	3394427	CLIP, HARNESS (S/P)
15	3393812	WIRE, JUMPER (BLUE) (S/P)
15	3393811	WIRE, JUMPER (VIOLET) (S/P)
16	8530642	TOP (WHITE) (S/P)
16	3396023	TOP (ALMOND) (S/P)
17	343641	SCREW, 10-16 X 1/2 (S/P)
18	3395683	CONNECTOR (MOTOR) (S/P)
19	3400859	SCREW, GROUNDING (S/P)
20	388326	SCREW, CONSOLE (S/P)
21	3976570	TIMER ASSEMBLY (60 HZ.)
22	8558178	CONTROL, ELECTRONIC (S/P)
23	3391885	CONNECTOR, EDGE (S/P)
24	3403499	CONNECTOR, 2-POSITION (GAS VALVE) (S/P)
25	3403498	CONNECTOR, 3-POSITION (GAS VALVE) (S/P)
29	3390646	SCREW, 8-18 X 5/16 (S/P)
30	357213	NUT, PUSH-IN (2) (S/P)

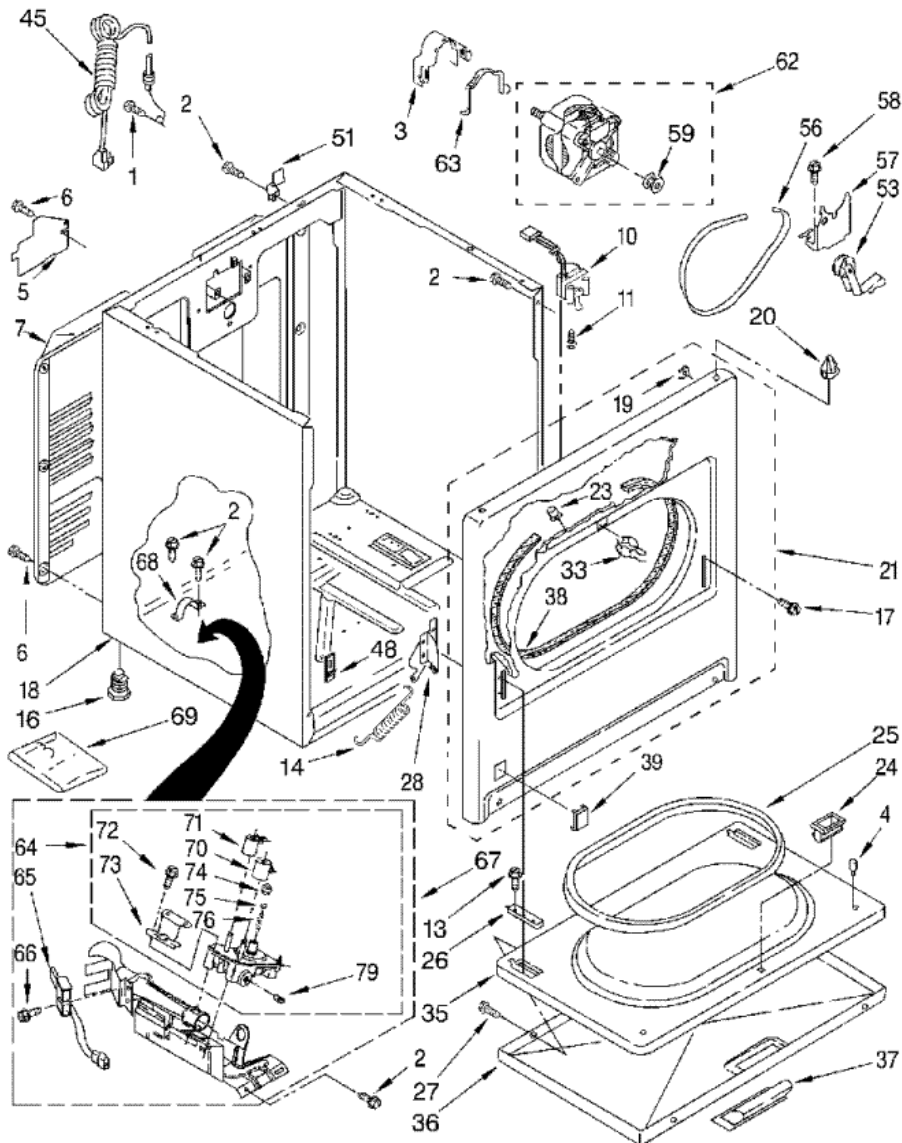
31	3394309	HARNESS, WIRING <b>(S/P)</b>
32	3396032	WIRE, JUMPER (SIGNAL BYPASS) <b>(S/P)</b>
39	3398094	RELAY, PUSH-TO-START
48	3957753	TIMER KNOB ASSEMBLY (ALMOND) <b>(S/P)</b>
48	3957752	TIMER KNOB ASSEMBLY (WHITE) <b>(S/P)</b>
49	3406133	KNOB, PUSH TO START (WHITE)
49	3406134	KNOB, PUSH TO START (ALMOND) <b>(S/P)</b>
50	717252	RECEPTACLE, 2-WAY <b>(S/P)</b>
52	94614	TERMINAL <b>(S/P)</b>
53	8054300	BRACKET, CONTROL <b>(S/P)</b>
54	3976765	PANEL, CONTROL (ALMOND) <b>(S/P)</b>
54	3976764	PANEL, CONTROL (WHITE) <b>(S/P)</b>
70	3936144	CONNECTOR <b>(S/P)</b>

Distribuidor Autorizado

SurteRápido.com

Venta de Refacciones  
Electrodomesticas

# LGC8858EZ3 GABINETE





## LGC8858EZ3 GABINETE

1	697776	SCREW, 10-32 X 5/8 (EXTERNAL GROUND) (S/P)
2	343641	SCREW, 10-16 X 1/2 (S/P)
3	3404162	CLAMP, MOTOR (W/SHIELD) (S/P)
4	238614	BUMPER (S/P)
5	3396795	COVER, BLOCK (S/P)
6	693995	SCREW, HEX WASHER HEAD (S/P)
7	280043	PANEL, REAR (S/P)
10	3406107	DOOR, SWITCH ASSEMBLY
11	697773	SCREW, 6-20 X 7/8 (S/P)
13	3357011	SCREW, 10-16 X 1/2 (S/P)
14	692495	SPRING, DOOR (2) (S/P)
16	279810	FOOT-OPTIONAL (S/P)
16	3392100	FOOT, DRYER
17	342043	SCREW, 10-32 X 3/8 (S/P)
18	3406812	CABINET (WHITE) (S/P)
18	3406813	CABINET (ALMOND) (S/P)
19	98234	CLIP, GROUND (2) (S/P)
20	18776	LOCK, FRONT TOP (2)
21	279741	PANEL, FRONT (ALMOND) (S/P)
21	279740	PANEL FRONT (WHITE) (S/P)
23	279220	CLIP, FELT PAD (2) (S/P)
24	3389441	CATCH, DOOR ASSEMBLY (S/P)
25	3390731	SEAL, DOOR
26	337189	CLIP, HINGE (2) (S/P)
27	694091	SCREW, 8-18 X 3/8 (S/P)
28	8066056	HINGE, R.H. (S/P)
28	8066057	HINGE, L.H. (S/P)
33	279570	STRIKE, PANEL
35	695737	DOOR, REAR (S/P)
36	3393550	DOOR, FRONT (ALMOND) (S/P)
36	3393549	DOOR, FRONT (WHITE) (S/P)
37	348721	HANDLE, DOOR (WHITE) (S/P)
37	690271	HANDLE, DOOR (ALMOND) (S/P)

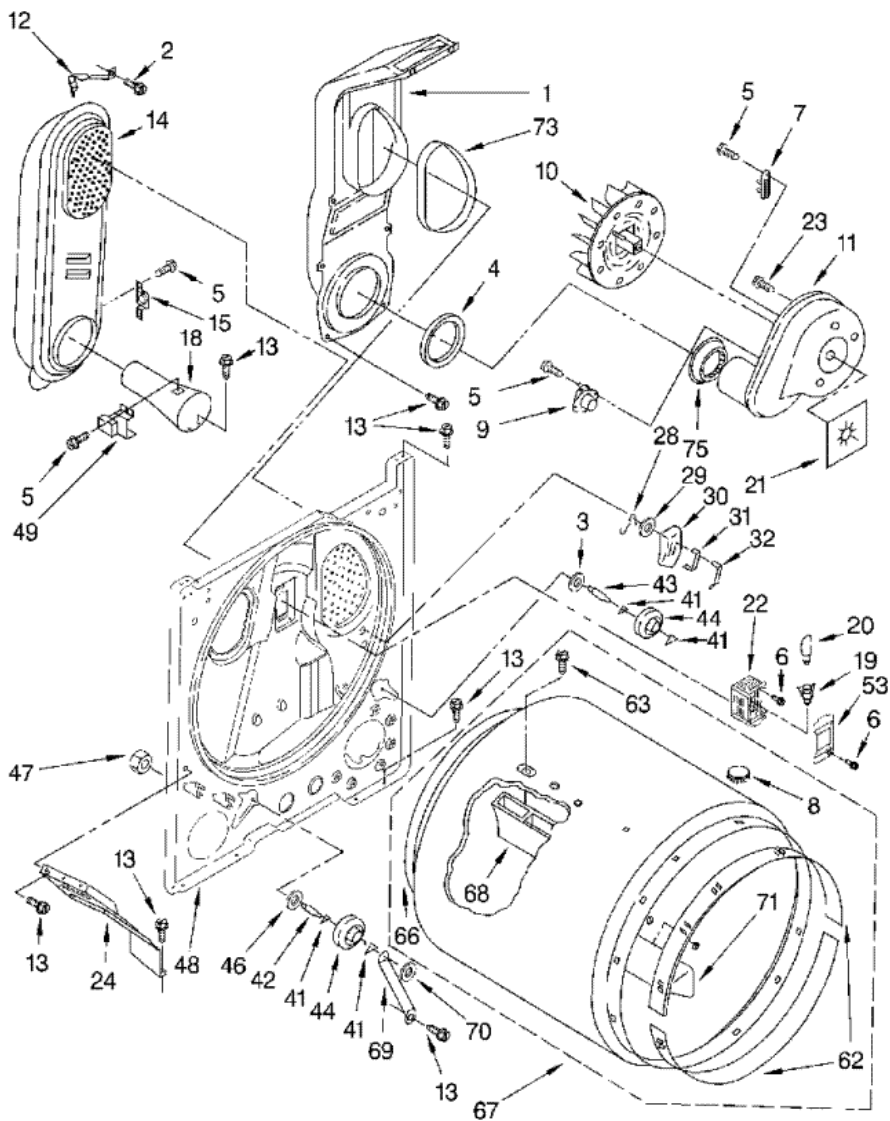
38	3406129	SEAL & BEARING ASSEMBLY
39	3394975	PLUG, FRONT PANEL (WHITE) <b>(S/P)</b>
39	3394976	PLUG, FRONT PANEL (ALMOND) <b>(S/P)</b>
45	3401402	CORD, POWER
48	3394083	CLIP, FRONT PANEL
51	8066217	HINGE, TOP (2) <b>(S/P)</b>
53	691366	IDLER & PULLEY ASSEMBLY
56	341241	BELT, DRIVE
57	348780	BASE, MOTOR <b>(S/P)</b>
58	3400500	BOLT, 5/16-18 X 3/4 <b>(S/P)</b>
59	3394341	PULLEY, 60 HZ. <b>(S/P)</b>
62	279827	MOTOR ASSEMBLY 60 HZ.
63	343481	CLAMP, MOTOR <b>(S/P)</b>
64	279923	VALVE, GAS 60 HZ. (COMPLETE)
65	WE4X750	IGNITOR
66	3393909	LOCK SCREW & WASHER (8-32 X 5/8) <b>(S/P)</b>
67	279536	BURNER ASSEMBLY, 60 HZ. <b>DESCONTINUADO</b>
68	341029	CLAMP, PIPE <b>(S/P)</b>
69	49572	KIT, CONVERSION TYPE 1, 2 & 3 TO TYPE 4 (LPG)
70	694539	COIL, 60 HZ. SPLIT (3 TERMINAL) <b>(S/P)</b>
71	694540	COIL, 60 HZ. (2 TERMINAL) (MAIN) <b>(S/P)</b>
72	694421	SCREW, BRACKET MOUNTING <b>(S/P)</b>
73	694538	BRACKET, COIL <b>(S/P)</b>
74	694424	LEAK LIMITER <b>(S/P)</b>
75	694423	SCREW, REGULATOR ADJUSTMENT <b>(S/P)</b>
76	694422	SPRING, REGULATOR <b>(S/P)</b>
79	239822	PLUG, PIPE <b>(S/P)</b>

Distribuidor Autorizado

SurteRápido.com

Venta de Refacciones  
Electrodomesticas

LGC8858EZ3 TAMBOR





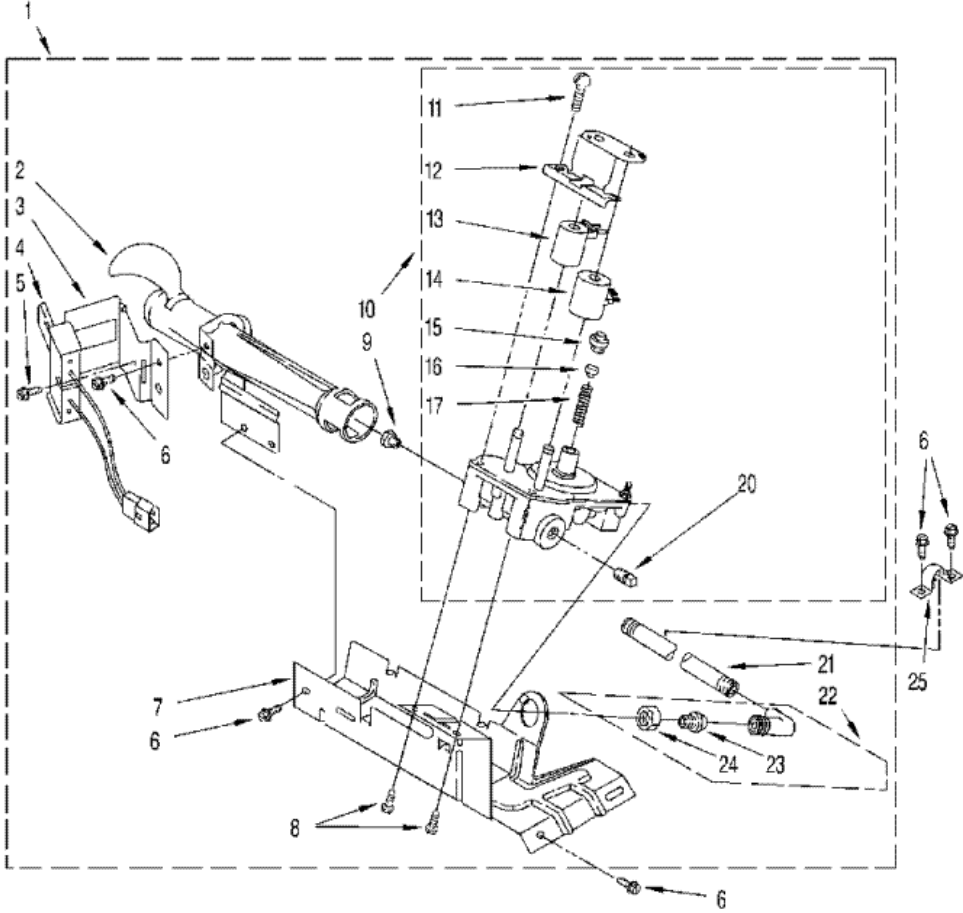
## LGC8858EZ3 TAMBOR

1	3396352	LINT CHUTE ASSEMBLY (S/P)
2	489463	SCREW, 8-18 X 5/8 <b>DESCONTINUADO</b>
3	3388703	WASHER-SUPPORT (S/P)
4	347139	SEAL, LINT CHUTE (S/P)
5	90767	SCREW, 8-18 X 3/8 (S/P)
6	487909	SCREW, 8-18 X 1/2 (S/P)
7	3392519	FUSE, THERMAL
8	8066086	DRUM HOLE PLUG (S/P)
9	3387134	THERMOSTAT, INTERNAL-BIAS
10	694089	WHEEL, BLOWER (INCLUDES ILLUS. NO. 21)
11	8577230	HOUSING, BLOWER (S/P)
12	279771	CLIP (S/P)
13	343641	SCREW, 10-16 X 1/2 (S/P)
14	279980	BOX, HEATER (S/P)
15	3403140	THERMOSTAT, 205~F (96~C)
18	8066049	FUNNEL, BURNER (S/P)
19	3403634	SOCKET ASSEMBLY (S/P)
20	17512	BULB, LIGHT (S/P)
21	3394196	SEAL, BLOWER (S/P)
22	3977373	BRACKET, DRUM LIGHT (S/P)
23	693995	SCREW, 8-18 X 3/8 (S/P)
24	3406022	BRACKET, BULKHEAD (S/P)
28	3394231	CLIP, SENSOR (S/P)
29	298877	WASHER, INSULATING (S/P)
30	279366	PAD, SENSOR
31	348859	ELECTRODE, INSIDE (S/P)
32	348860	ELECTRODE, OUTSIDE (S/P)
41	690997	RING, TRI (S/P)
42	3399506	SHAFT, L.H.
43	339489	SHAFT, R.H.
44	349241	ROLLER, SUPPORT
46	348197	WASHER, SUPPORT (S/P)
47	3359452	NUT, 3/8-16 (S/P)



48	3403414	BULKHEAD (S/P)
49	338906	SENSOR, RADIANT
53	3402841	LENS, DRUM LIGHT (S/P)
62	279441	RING, BEARING (2)
63	97787	SCREW, 11-16 X 3/4 (S/P)
66	279857	SEAL, REAR DRUM
67	695587	DRUM ASSEMBLY (S/P)
68	692490	BAFFLE, DRUM (2) (S/P)
69	3976434	BRACKET, SUPPORT (S/P)
70	90296	CLIP (S/P)
71	3403636	BAFFLE, DRUM (1) (S/P)
73	339956	SEAL (S/P)
75	696302	SHIELD, EXHAUST (S/P)

**LGC8858EZ3 QUEMADOR**





**LGC8858EZ3 QUEMADOR**

1	279536	BURNER ASSEMBLY 60 HZ. <b>DESCONTINUADO</b>
2	693140	TUBE, BURNER <b>(S/P)</b>
3	694298	BRACKET, IGNITOR <b>(S/P)</b>
4	WE4X750	IGNITOR
5	3393909	SCREW & WASHER (8-32 X 5/8) <b>(S/P)</b>
6	343641	SCREW, 10-16 X 1/2 <b>(S/P)</b>
7	693986	BASE, BURNER <b>DESCONTINUADO</b>
8	3387057	SCREW, 8-18 X 3/8 (2) <b>(S/P)</b>
9	234826	ORIFICE, BURNER (TYPE 1) <b>(S/P)</b>
9	15419	ORIFICE, BURNER (TYPE 3) <b>(S/P)</b>
9	15775	ORIFICE, BURNER (TYPE 2) <b>DESCONTINUADO</b>
9	229742	ORIFICE, BURNER (TYPE 4 (BUTANE)) <b>(S/P)</b>
9	234868	ORIFICE, BURNER (TYPE 4 (PROPANE)) <b>(S/P)</b>
10	279923	VALVE, 60 HZ.
11	694421	SCREW, 8-32 X 1/2 (2) <b>(S/P)</b>
12	694538	BRACKET, COIL <b>(S/P)</b>
13	694540	COIL, 60 HZ. (2 TERMINAL) (MAIN) <b>(S/P)</b>
14	694539	COIL, 60 HZ. (SPLIT) (3 TERMINAL) <b>(S/P)</b>
15	694424	LEAK LIMITER <b>(S/P)</b>
16	694423	SCREW, REGULATOR ADJUSTMENT <b>(S/P)</b>
17	694422	SPRING, REGULATOR <b>(S/P)</b>
20	239822	PLUG, PIPE <b>(S/P)</b>
21	696237	PIPE, GAS SUPPLY <b>(S/P)</b>
22	3406052	ELBOW UNION ASSEMBLY <b>DESCONTINUADO</b>
23	3393767	PIPE, TAIL <b>(S/P)</b>
24	233076	NUT, COMPRESSION <b>(S/P)</b>
25	341029	CLAMP, PIPE <b>(S/P)</b>
25	49572	CONVERSION KIT (TYPE 1, 2 & 3) TO TYPE (4) L.P.G.