





## LGP6848AW0 TABLERO

1	3397545	PANEL, REAR CONSOLE
2	693994	SCREW, 10-16 X 1/2
3	694419	BUZZER, MINI
4	3358531	CAP, END (L.H.) (WHITE)
4	3358532	CAP, END (L.H.) (ALMOND)
5	353424	PLUG, 3-WAY TERMINAL
6	688805	CLIP
7	3396240	SWITCH, 3-POSITION TEMPERATURE
8	3358516	CAP, END (R.H.) (WHITE)
8	3358517	CAP, END (R.H.) (ALMOND)
9	693995	SCREW, HEX WASHER HEAD
10	349639	HANDLE & LINT SCREEN ASSEMBLY
11	688150	COVER, LINT SCREEN (WHITE)
11	689310	COVER, LINT SCREEN (ALMOND)
12	339229	HINGE, R.H.
12	339230	HINGE, L.H.
13	688983	SCREW, 8-18 X 5/8
14	3359137	PUSHBUTTON
15	3393811	WIRE, JUMPER (VIOLET)
15	3393812	WIRE, JUMPER (BLUE)
16	3396022	TOP (WHITE)
16	3396023	TOP (ALMOND)
17	3396033	WIRE, JUMPER (SIGNAL BYPASS)
18	3390537	CONTROL, ELECTRONIC
20	3353145	SCREW, CONSOLE
21	3397273	TIMER ASSEMBLY
22	343641	SCREW, 10-16 X 1/2 (60 HZ.)
29	3390646	SCREW, 8-18 X 5/16
30	357213	NUT, PUSH-IN (2)
31	3396232	HARNESS, WIRING
32	3391885	CONNECTOR, EDGE
39	3395395	SWITCH, PUSH-TO-START
48	3396145	TIMER KNOB ASSEMBLY

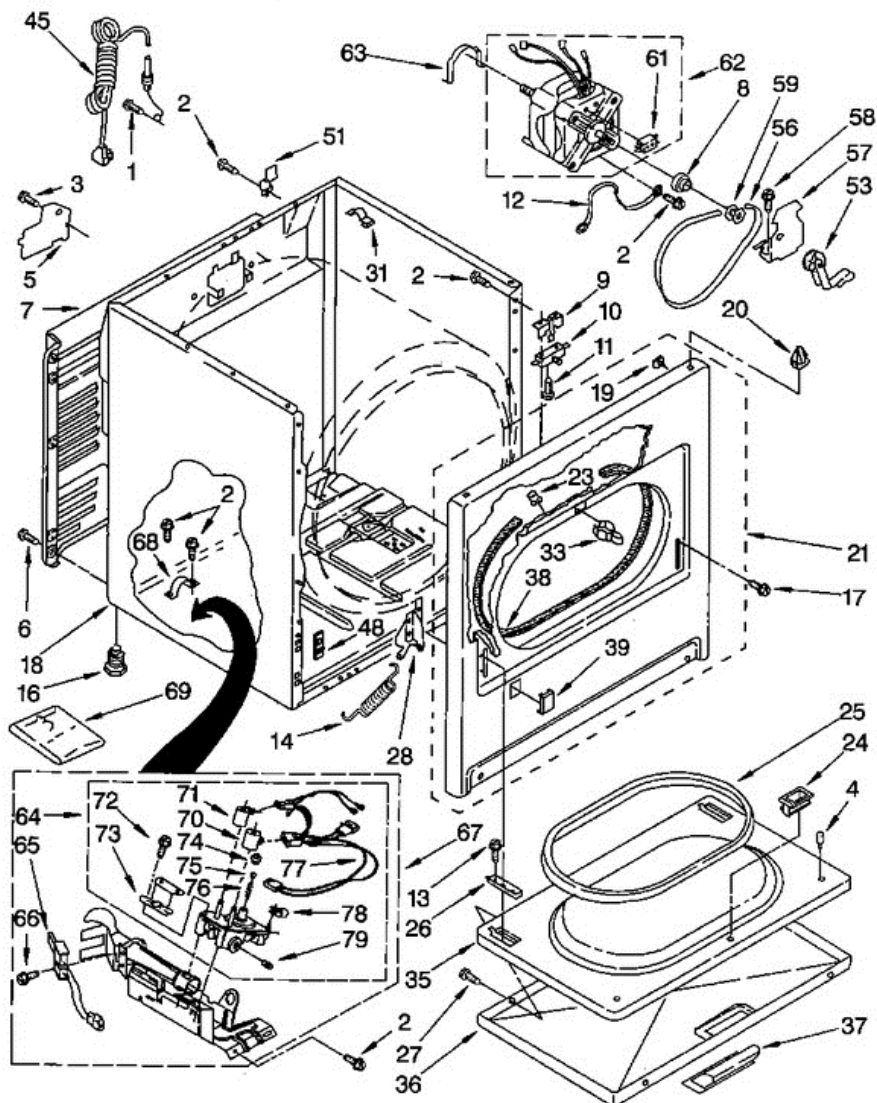
49	3396160	KNOB, PUSH TO START
50	691707	RECEPTACLE, TERMINAL
51	94613	TERMINAL, (MALE)
52	94614	TERMINAL (FEMALE)
53	3396295	BRACKET, CONTROL
54	3397226	PANEL, CONTROL (WHITE)
54	3397227	PANEL, CONTROL (ALMOND)
67	689559	NUT, PUSH-ON (4)
70	689180	CLIP, RETAINER
72	690853	WIRE, GROUND

Distribuidor Autorizado

SurteRápido.com

Venta de Refacciones  
Electrodomesticas

LGP6848AW0 GABINETE





## LGP6848AW0 GABINETE

1	697776	SCREW, 10-32 X 1/2 (EXTERNAL GROUND)
2	343641	SCREW, 10-16 X 1/2
3	693995	SCREW, 10-16 X 1/2
4	238614	BUMPER
5	690893	COVER, BLOCK
6	693994	SCREW, HEX WASHER HEAD
7	348364	PANEL, REAR
8	3393657	RESTRAINER, BELT
9	691581	LEVER, DOOR SWITCH
10	347207	SWITCH, DOOR
11	98129	SCREW, 6-20 X 1-3/8
12	690236	WIRE, GROUND
13	3357011	SCREW, 10-16 X 1/2
14	692495	SPRING, DOOR (2)
16	3392100	FOOT, DRYER (4)
17	342043	SCREW
18	3394118	CABINET (WHITE)
18	3394119	CABINET (ALMOND)
19	98234	CLIP, GROUND (2)
20	690363	LOCK, FRONT TOP (2)
21	3395197	PANEL FRONT (WHITE)
21	3395198	PANEL, FRONT (ALMOND)
23	685203	CLIP, FELT PAD (2)
24	690081	CATCH, DOOR ASSEMBLY
25	3390731	SEAL, DOOR
26	337189	CLIP, HINGE (2)
27	694091	SCREW
28	692498	HINGE, R.H.
28	692501	HINGE, L.H.
31	98997	CLIP, HARNESS
33	696144	STRIKE, PANEL
35	695737	DOOR, REAR
36	3393549	DOOR, FRONT (WHITE)

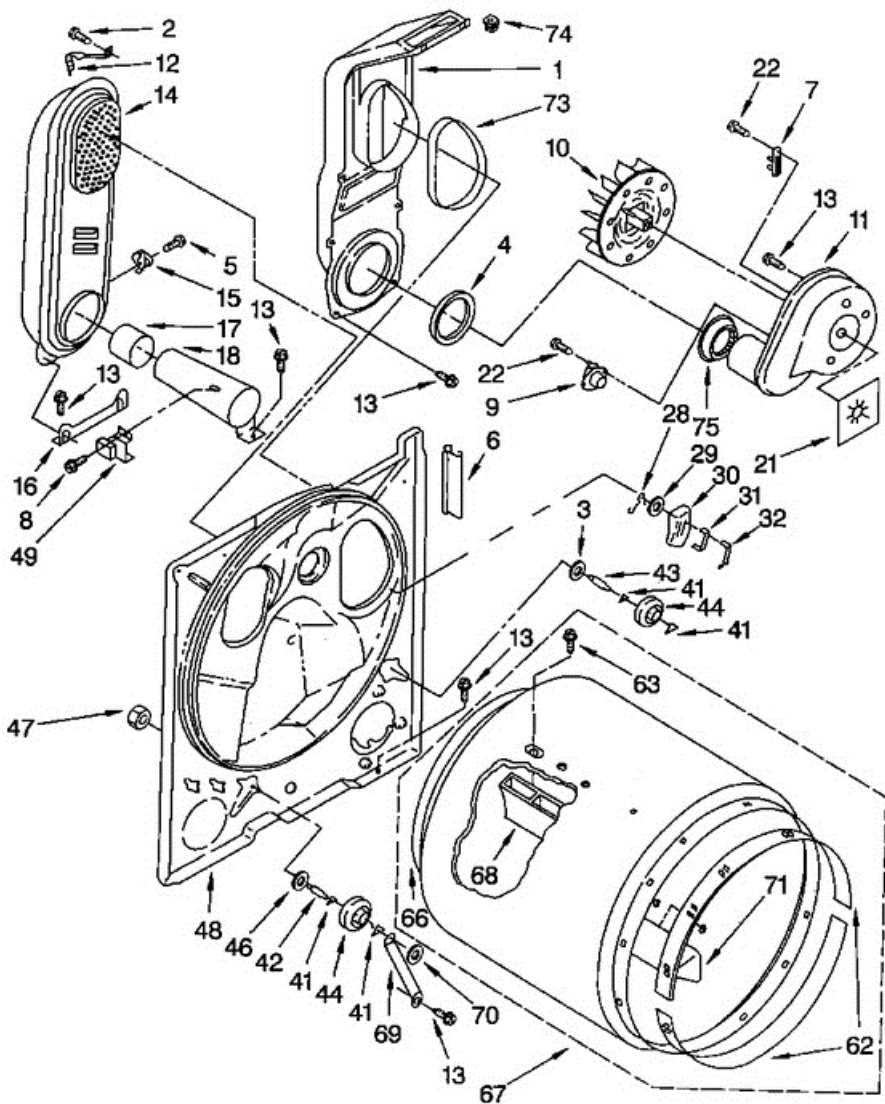
36	3393550	DOOR, FRONT (ALMOND)
37	690270	HANDLE, DOOR (WHITE)
37	690271	HANDLE, DOOR (ALMOND)
38	692493	SEAL & BEARING ASSEMBLY
39	3394975	PLUG, FRONT PANEL (WHITE)
39	3394976	PLUG, FRONT PANEL (ALMOND)
45	344020	CORD, POWER
48	3394083	CLIP, FRONT PANEL
51	238088	HINGE, TOP (2)
53	691366	IDLER & PULLEY ASSEMBLY
56	660996	BELT, DRIVE
57	348780	BASE, MOTOR
58	172455	BOLT, 5/16-18 X 3/4
59	3389627	PULLEY 60 HZ
61	3388235	SWITCH (USE W/3391888 MOTOR)
62	3391888	MOTOR ASSEMBLY 60 HZ.
63	343481	(ALT.)
63	660658	CLAMP, MOTOR (2)
63	685441	(ALT.)
64	694054	VALVE, GAS 60 HZ. (COMPLETE)
65	660991	IGNITOR
65	686590	(ALT.)
66	3393909	LOCK SCREW & WASHER (8-32 X 5/8)
67	694670	BURNER ASSEMBLY, 60 HZ.
68	341029	CLAMP, PIPE
69	279243	KIT, CONVERSION TYPE 1 TO TYPE 3 (MFD)
69	694572	KIT, CONVERSION TYPE 1, 2 & 3 TO TYPE 4 (LPG)
70	694539	COIL, 60 HZ. (SPLIT) (3 TERMINAL) (PILOT POSITION)
71	694540	COIL, 60 HZ. (2 TERMINAL) (MAIN)
72	694421	SCREW, BRACKET MOUNTING (8-32 X 1/2) (2)
73	694538	BRACKET, COIL
74	694424	LEAK LIMITER
75	694423	SCREW, REGULATOR ADJUSTMENT
76	694422	SPRING, REGULATOR
77	694426	HARNESS, WIRING (COMPLETE)
78	694510	CLIP, HARNESS
79	239822	PLUG, PIPE

Distribuidor Autorizado

**SurteRápido.com**

Venta de Refacciones  
Electrodomesticas

LGP6848AW0 TAMBOR





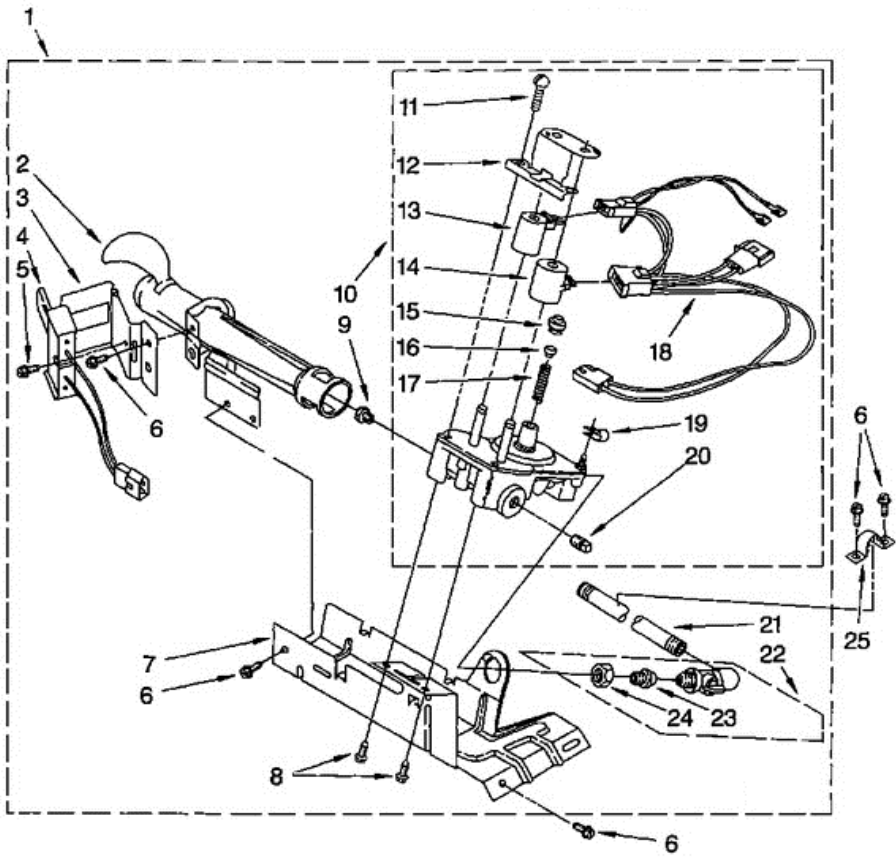
## LGP6848AW0 TAMBOR

1	348368	LINT CHUTE ASSEMBLY
2	687128	SCREW, 10-16 X 1/2
3	3388703	WASHER-SUPPORT
4	347139	SEAL, LINT CHUTE
5	90767	SCREW, 8 X 3/8
6	686889	PAD, CABINET
7	3392519	FUSE, THERMAL
8	339554	SCREW
9	3387134	THERMOSTAT, INTERNAL BIAS
10	694089	WHEEL, BLOWER (INCLUDES ILLUS. NO. 21)
11	695081	HOUSING, BLOWER
12	337272	CLIP
13	343641	SCREW, 10-16 X 1/2
14	685458	BOX, HEATER
15	341196	(ALT.)
15	660036	THERMOSTAT, 205 F (96 C)
16	348484	SUPPORT, HEATER BOX
17	348516	COLLAR, FUNNEL
18	347389	FUNNEL, BURNER
21	3392123	SEAL, BLOWER
22	695239	SCREW, 8-18 X 3/8
28	342267	CLIP, SENSOR
29	298877	WASHER, INSULATING
30	348861	PAD, SENSOR
31	348859	ELECTRODE, INSIDE
32	348860	ELECTRODE, OUTSIDE
41	690997	RING, TRI
42	347364	SHAFT, L.H.
43	339489	SHAFT, R.H.
44	3389901	ROLLER, SUPPORT
46	348197	WASHER, SUPPORT
47	3359452	NUT, 3/8-16
48	685823	BULKHEAD



49	338906	SENSOR, RADIANT
62	692526	RING, BEARING
63	97787	SCREW, 11-16 X 7/8
66	347885	SEAL, REAR DRUM
67	695587	DRUM ASSEMBLY
68	692490	BAFFLE, DRUM (2)
69	348944	BRACKET, SUPPORT
70	90296	CLIP
71	692491	BAFFLE, DRUM (1)
73	339956	SEAL
74	98460	NUT, PUSH-IN (2)
75	696302	SHIELD, EXHAUST

LGP6848AW0 QUEMADOR





## LGP6848AW0 QUEMADOR

1	694670	BURNER ASSEMBLY 60 HZ. (TYPE 1, 2 & 3) (WHITE)
2	688617	TUBE, BURNER
3	694298	BRACKET, IGNITOR
4	660991	IGNITOR
4	686590	(ALT.)
5	686953	LOCK SCREW & WASHER (8-32 X 5/8)
6	343641	SCREW, 10-16 X 1/2
7	693986	BASE, BURNER
8	339527	SCREW, 8-32 X 3/8 (2)
9	15419	ORIFICE, BURNER (TYPE 3)
9	15775	ORIFICE, BURNER (TYPE 2)
9	229742	ORIFICE, BURNER (TYPE 4 (BUTANE))
9	234826	ORIFICE, BURNER (TYPE 1)
9	234868	ORIFICE, BURNER (TYPE 4 (PROPANE))
10	694054	VALVE, 60 HZ.
11	694421	SCREW, BRACKET MOUNTING (8-32 X 1/2) (2)
12	694538	BRACKET, COIL
13	694540	COIL, 60 HZ. (2 TERMINAL) (MAIN)
14	694539	COIL, 60 HZ. (SPLIT) (3 TERMINAL) (PILOT POSITION)
15	694424	LEAK LIMITER
16	694423	SCREW, REGULATOR ADJUSTMENT
17	694422	SPRING, REGULATOR
18	694426	HARNESS, WIRING (COMPLETE)
19	694510	CLIP, HARNESS
20	239822	PLUG, PIPE
21	233273	PIPE, GAS SUPPLY
22	345062	VALVE & UNION, SHUT-OFF
23	3393767	PIPE, TAIL
24	233076	NUT, COMPRESSION
25	279243	CONVERSION KIT TYPE 1 (NATURAL) TO TYPE 3
25	341029	CLAMP, PIPE
25	694572	CONVERSION KIT (TYPE 1, 2 & 3 TO TYPE 4) (L.P.G.)