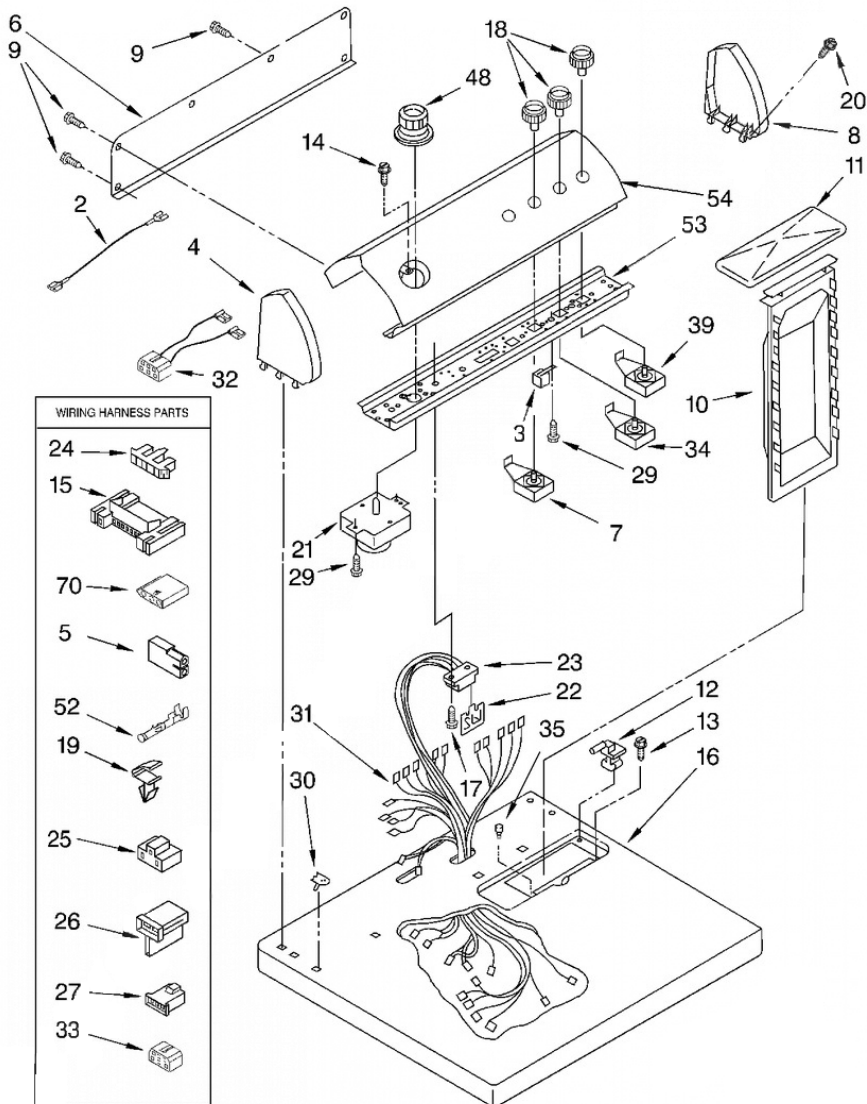


Distribuidor Autorizado

SurteRápido.com

Venta de Refacciones
Electrodomesticas

LGQ8857JT0 TABLERO





LGQ8857JT0 TABLERO

2	3401684	WIRE, JUMPER (BLACK) (S/P)
3	694419	BUZZER, MINI (S/P)
4	279965	CAP, END (L.H.) (BISCUIT) (S/P)
4	279962	CAP, END (L.H.) (WHITE) (S/P)
5	717252	PLUG, 2-WAY TERMINAL (S/P)
6	8274261	PANEL, REAR CONSOLE (S/P)
7	3405155	SWITCH, TEMPERATURE (S/P)
8	279962	CAP, END (R.H.) (WHITE) (S/P)
8	279965	CAP, END (R.H.) (BISCUIT) (S/P)
9	693995	SCREW, HEX WASHER HEAD DESCONTINUADO
10	349639	HANDLE & LINT SCREEN ASSEMBLY
11	8283378	COVER, LINT SCREEN (WHITE) (S/P)
11	8283380	COVER, LINT SCREEN (BISCUIT) (S/P)
12	691194	HINGE, L.H.
12	691193	HINGE, R.H. (S/P)
13	688983	SCREW, 8-18 X 5/8 (S/P)
14	3400859	SCREW, GROUNDING (S/P)
15	3395683	CONNECTOR (MOTOR) (S/P)
16	8521920	TOP (BISCUIT) (S/P)
16	8521918	TOP (WHITE) (S/P)
17	343641	SCREW, 10-16 X 1/2 (S/P)
18	8271348	KNOB, CONTROL (BISCUIT)
18	3957799	KNOB, CONTROL (WHITE)
19	3394427	CLIP-HARNESS (S/P)
20	388326	SCREW, CONSOLE (S/P)
21	3406725	TIMER ASSEMBLY (60 HZ.) (S/P)
22	8558178	CONTROL, ELECTRONIC (S/P)
23	3391885	CONNECTOR, EDGE (S/P)
24	3397269	CONNECTOR-TIMER (S/P)
25	3401144	CONNECTOR, (PTS RELAY) (S/P)
26	3403499	CONNECTOR, 2-POSITION (GAS VALVE) (S/P)
27	3403498	CONNECTOR, 3-POSITION (GAS VALVE) (S/P)
29	3390646	SCREW, 8-18 X 5/16 (S/P)

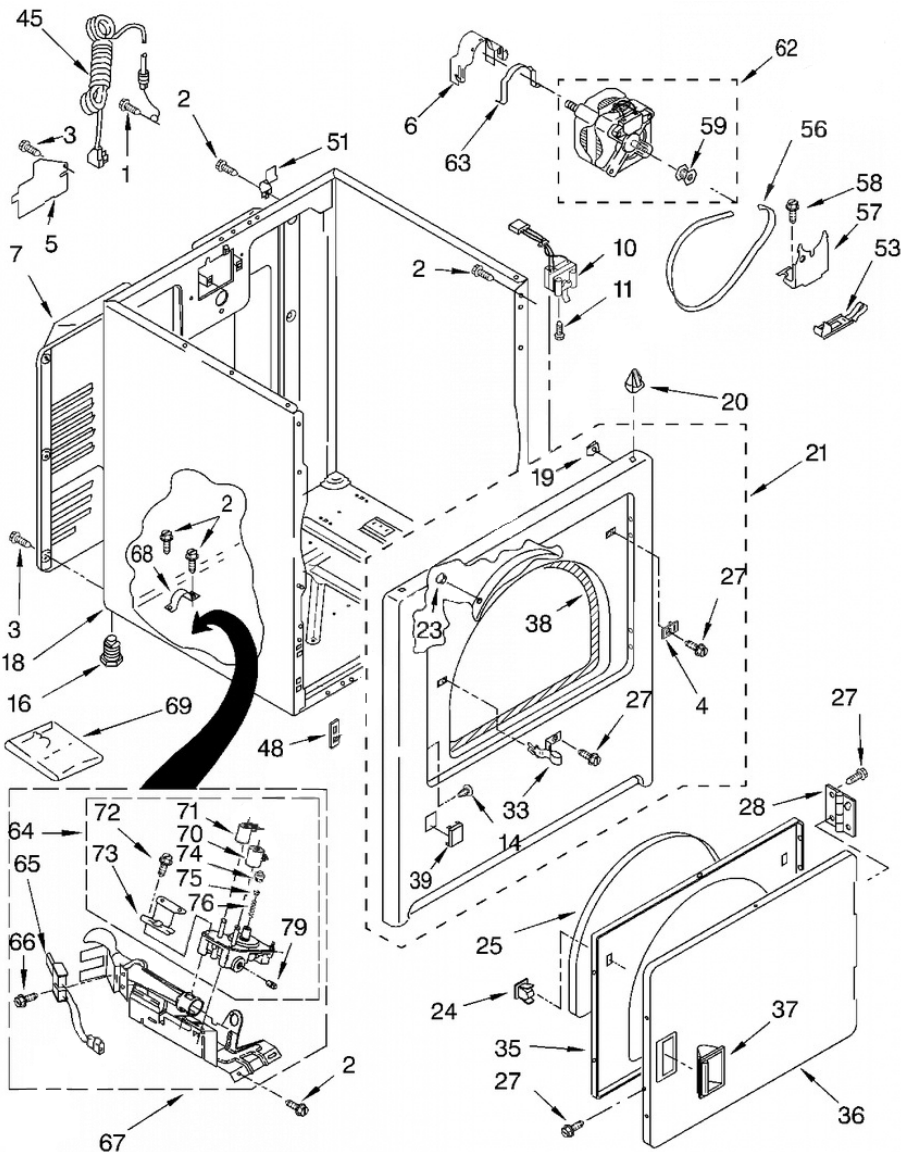
30	357213	NUT, PUSH-IN (2) (S/P)
31	8283285	HARNESS, WIRING (S/P)
32	3396030	WIRE, JUMPER (TEMPERATURE) (S/P)
33	3347243	CONNECTOR 6-CIRCUIT (S/P)
34	3405154	SWITCH, FINISH GUARD
35	17258	BUMPER, LINT LID
39	3398095	RELAY, PUSH-TO-START
48	3957755	TIMER KNOB ASSEMBLY (BISCUIT) (S/P)
48	3957754	TIMER KNOB ASSEMBLY (WHITE)
52	94614	TERMINAL (S/P)
53	8271418	BRACKET, CONTROL (S/P)
54	3977828	PANEL, CONTROL (BISCUIT) (S/P)
54	3977827	PANEL, CONTROL (WHITE) (S/P)
70	72017	WHITE (S/P)
70	4392901	BISCUIT (S/P)
70	4392899	BISCUIT (S/P)
70	3936144	CONNECTOR (S/P)
70	350930	WHITE (S/P)
70	350938	PRIMER, GRAY (S/P)
70	799344	WHITE (UNCUT) (S/P)
70	4392900	BISCUIT(UNCUT) (S/P)

Distribuidor Autorizado

SurteRápido.com

Venta de Refacciones
Electrodomesticas

LGQ885JT0 GABINETE





LGQ8857JT0 GABINETE

1	697776	SCREW, 10-32 X 5/8 (EXTERNAL GROUND) (S/P)
2	343641	SCREW, 10-16 X 1/2 (S/P)
3	693995	SCREW, HEX HEAD DESCONTINUADO
4	3403630	PLUG, STRIKE HOLE (WHITE) (S/P)
4	3403632	PLUG, STRIKE HOLE (BISCUIT) (S/P)
5	3396795	COVER, BLOCK (S/P)
6	3404162	CLAMP, MOTOR (W/SHIELD) (S/P)
7	280043	PANEL, REAR (S/P)
10	3406107	DOOR, SWITCH ASSEMBLY
11	697773	SCREW, 6-20 X 7/8 (S/P)
14	3404415	PLUG, HINGE HOLE (BISCUIT) (S/P)
14	3404413	PLUG, HINGE HOLE (WHITE) (S/P)
16	3392100	FOOT, DRYER
16	279810	FOOT-OPTIONAL (S/P)
18	3977306	CABINET (BISCUIT) (S/P)
18	3406812	CABINET (WHITE) (S/P)
19	98234	CLIP, GROUND (2) (S/P)
20	18776	LOCK, FRONT TOP (2)
21	280020	FRONT PANEL ASSEMBLY (BISCUIT) (S/P)
21	279854	FRONT PANEL ASSEMBLY (WHITE) (S/P)
23	279220	CLIP, FELT PAD (2) (S/P)
24	279570	CATCH, DOOR ASSEMBLY
25	3405246	SEAL, DOOR (S/P)
27	342055	SCREW, 8-18 X 1/2 (S/P)
28	3405514	HINGE, DOOR (S/P)
33	3403431	STRIKE, DOOR (S/P)
35	3402341	DOOR, REAR (S/P)
36	3402335	DOOR, FRONT (WHITE) (S/P)
36	3402337	DOOR, FRONT (BISCUIT) (S/P)
37	3405184	HANDLE, DOOR (WHITE) (S/P)
37	3405189	HANDLE, DOOR (BISCUIT) (S/P)
38	3406129	SEAL & BEARING ASSEMBLY
39	3394978	PLUG, FRONT PANEL (BISCUIT) (S/P)

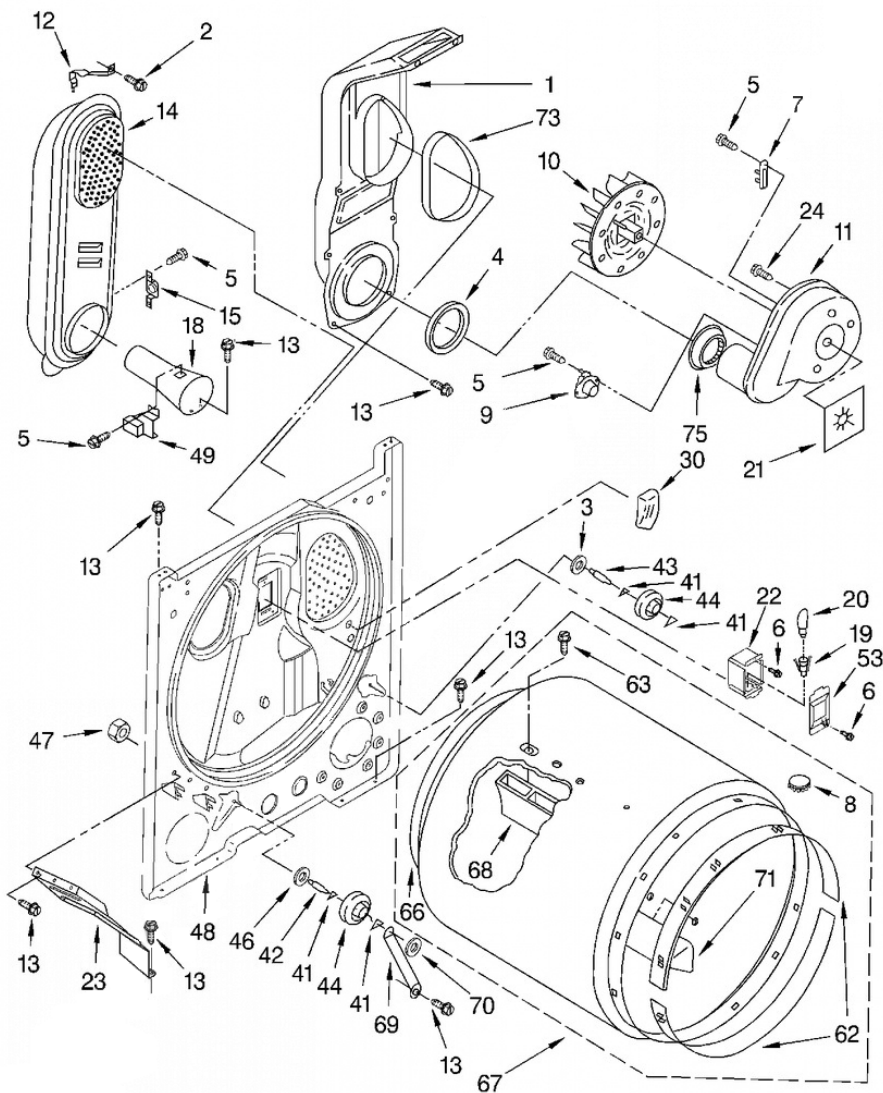
39	3394975	PLUG, FRONT PANEL (WHITE) (S/P)
45	3401402	CORD, POWER (S/P)
48	3394083	CLIP, FRONT PANEL
51	8066217	HINGE, TOP (2) (S/P)
53	691366	IDLER & SLIDE ASSEMBLY
56	341241	BELT, DRIVE
57	348780	BASE, MOTOR (S/P)
58	3400500	BOLT, 5/16-18 X 3/4 (S/P)
59	3394341	PULLEY, 60 HZ. (S/P)
62	279827	MOTOR ASSEMBLY 60 HZ.
63	343481	CLAMP, MOTOR (S/P)
64	279923	VALVE, GAS 60 HZ. (COMPLETE)
65	WE4X750	IGNITOR
66	3393909	LOCK SCREW & WASHER (8-32 X 5/8) (S/P)
67	279536	BURNER ASSEMBLY, 60 HZ. DESCONTINUADO
68	341029	CLAMP, PIPE (S/P)
69	49572	KIT, CONVERSION TYPE 1, 2 & 3 TO TYPE 4 (LPG)
70	694539	COIL, 60 HZ. SPLIT (3 TERMINAL) (S/P)
71	694540	COIL, 60 HZ. (2 TERMINAL) (MAIN) (S/P)
72	694421	SCREW, BRACKET MOUNTING (8-32 X 1/2) (S/P)
73	694538	BRACKET, COIL (S/P)
74	694424	LEAK LIMITER (S/P)
75	694423	SCREW, REGULATOR ADJUSTMENT (S/P)
76	694422	SPRING, REGULATOR (S/P)
79	239822	PLUG, PIPE (S/P)

Distribuidor Autorizado

SurteRápido.com

Venta de Refacciones
Electrodomesticas

LGQ8857JT0 TAMBOR



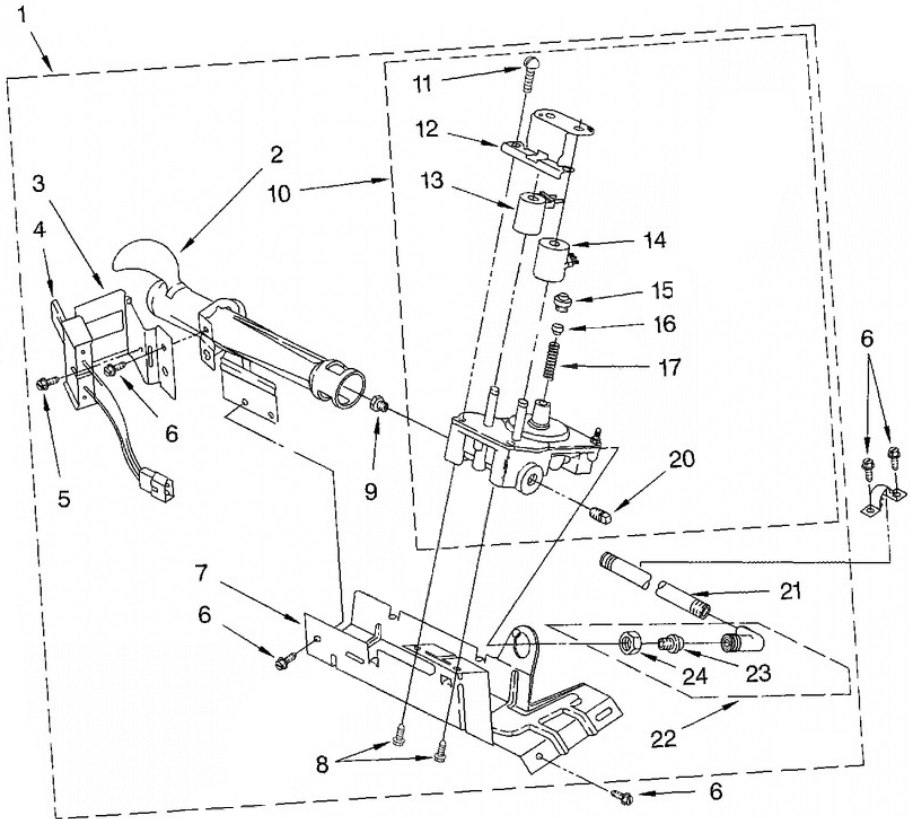


LGQ8857JT0 TAMBOR

1	3396352	LINT CHUTE ASSEMBLY (S/P)
2	489463	SCREW, 8-18 X 5/8 (S/P)
3	3388703	WASHER-SUPPORT (S/P)
4	347139	SEAL, LINT CHUTE (S/P)
5	90767	SCREW, 8-18 X 3/8 (S/P)
6	487909	SCREW, 8-18 X 1/2 (S/P)
7	3392519	FUSE, THERMAL
8	8066086	DRUM HOLE PLUG (S/P)
9	8318268	THERMOSTAT, INTERNAL BIAS
10	694089	WHEEL, BLOWER (INCLUDES ILLUS. NO. 21)
11	8577230	HOUSING, BLOWER (S/P)
12	279771	CLIP (S/P)
13	343641	SCREW, 10-16 X 1/2 (S/P)
14	279980	BOX, HEATER (S/P)
15	3403140	THERMOSTAT, 205~F (96~C) (S/P)
18	8066049	FUNNEL, BURNER (S/P)
19	3403634	SOCKET ASSEMBLY (S/P)
20	22002263	BULB, LIGHT (S/P)
21	3394196	SEAL, BLOWER (S/P)
22	3977373	BRACKET, DRUM LIGHT (S/P)
23	3406022	BRACKET, BULKHEAD (S/P)
24	693995	SCREW, 8-18 X 3/8 DESCONTINUADO
30	279366	PAD, SENSOR
41	690997	RING, TRI (S/P)
42	3399506	SHAFT, L.H.
43	339489	SHAFT, R.H.
44	349241	ROLLER, SUPPORT
46	348197	WASHER, SUPPORT (S/P)
47	3359452	NUT, 3/8-16 (S/P)
48	3403414	BULKHEAD (S/P)
49	338906	SENSOR, RADIANT
53	3402841	LENS, DRUM LIGHT (S/P)
62	279441	RING, BEARING

63	97787	SCREW, 11-16 X 3/4 (S/P)
66	279857	SEAL, REAR DRUM
67	695587	DRUM ASSEMBLY (S/P)
68	692490	BAFFLE, DRUM (2) (S/P)
69	3976434	BRACKET, SUPPORT (S/P)
70	90296	CLIP (S/P)
71	3403636	BAFFLE, DRUM (1) (S/P)
73	339956	SEAL (S/P)
75	696302	SHIELD, EXHAUST (S/P)

LGQ885JT0 QUEMADOR





LGQ8857JT0 QUEMADOR

1	279536	BURNER ASSEMBLY 60 HZ. DESCONTINUADO
2	693140	TUBE, BURNER (S/P)
3	694298	BRACKET, IGNITOR (S/P)
4	WE4X750	IGNITOR
5	3393909	SCREW & WASHER (8-32 X 5/8) (S/P)
6	343641	SCREW, 10-16 X 1/2 (S/P)
7	693986	BASE, BURNER DESCONTINUADO
8	3387057	SCREW, 8-18 X 3/8 (2) (S/P)
9	234826	ORIFICE, BURNER (TYPE 1) (S/P)
9	234868	ORIFICE, BURNER (TYPE 4 (PROPANE)) (S/P)
9	15775	ORIFICE, BURNER (TYPE 2) DESCONTINUADO
9	15419	ORIFICE, BURNER (TYPE 3) (S/P)
9	229742	ORIFICE, BURNER (TYPE 4 (BUTANE)) (S/P)
10	279923	VALVE, 60 HZ.
11	694421	SCREW, 8-32 X 1/2 (2) (S/P)
12	694538	BRACKET, COIL (S/P)
13	694540	COIL, 60 HZ. (2 TERMINAL) (MAIN) (S/P)
14	694539	COIL, 60 HZ. (SPLIT) (3 TERMINAL) (S/P)
15	694424	LEAK LIMITER (S/P)
16	694423	SCREW, REGULATOR ADJUSTMENT (S/P)
17	694422	SPRING, REGULATOR (S/P)
20	239822	PLUG, PIPE (S/P)
21	696237	PIPE, GAS SUPPLY DESCONTINUADO
22	3406052	ELBOW UNION ASSEMBLY DESCONTINUADO
23	3393767	PIPE, TAIL (S/P)
24	233076	NUT, COMPRESSION (S/P)
25	341029	CLAMP, PIPE (S/P)
25	49572	CONVERSION KIT (TYPE 1, 2 & 3)