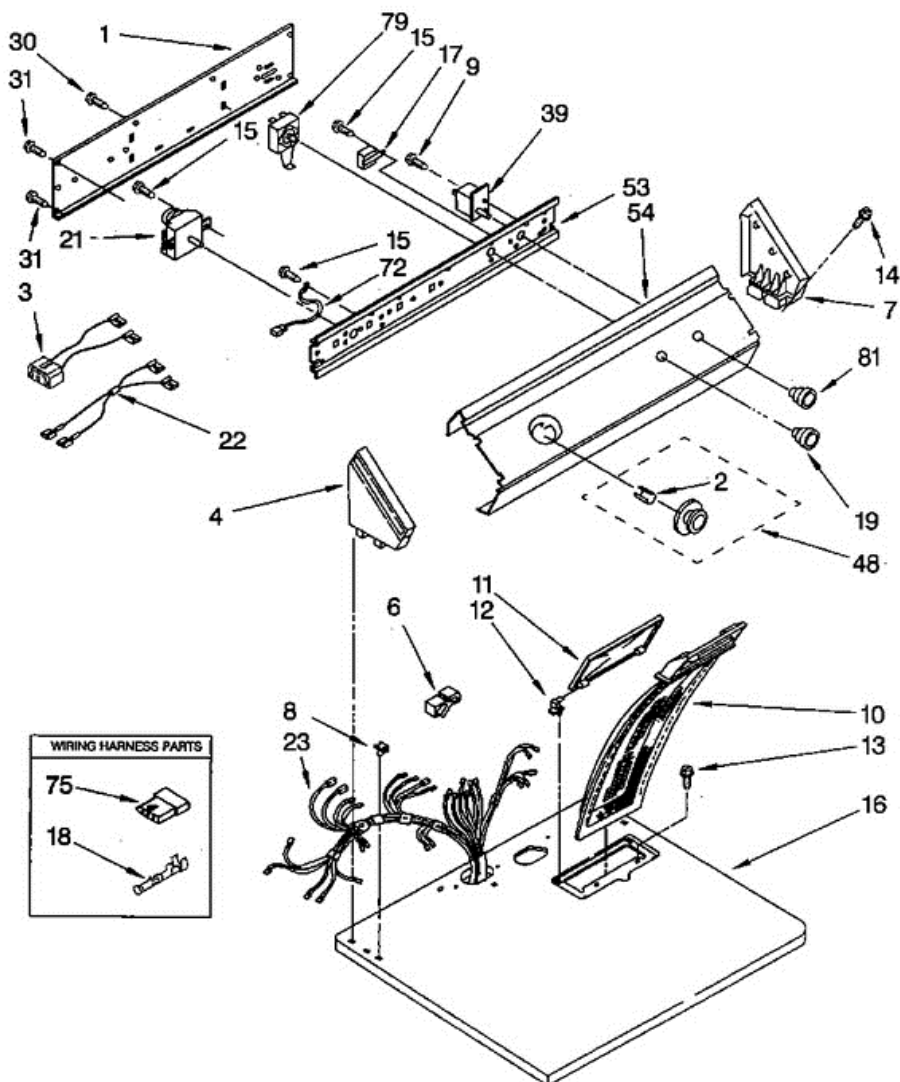


Distribuidor Autorizado

SurteRápido.com

Venta de Refacciones
Electrodomesticas

LGR7646AN0 TABLERO





LGR7646AN0 TABLERO

1	3397545	PANEL, REAR CONSOLE
2	688805	CLIP
3	3396029	WIRE-JUMPER ASSEMBLY
4	3358531	CAP, END (L.H.) (WHITE)
4	3358532	CAP, END (L.H.) (ALMOND)
6	689180	CLIP, RETAINER
7	3358516	CAP, END (R.H.) (WHITE)
7	3358517	CAP, END (R.H.) (ALMOND)
8	357213	NUT, PUSH-IN (2)
9	3390647	SCREW, 8-18 X 1/2
10	349639	SCREEN, LINT
11	688150	COVER, LINT SCREEN (WHITE)
11	689310	COVER, LINT SCREEN (ALMOND)
12	339229	HINGE, R.H.
12	339230	HINGE, L.H.
13	688983	SCREW, 8-18 X 5/8
14	3353145	SCREW, CONSOLE
15	3390646	SCREW, 8-18 X 5/16
16	3396022	TOP (WHITE)
16	3396023	TOP (ALMOND)
17	694419	BUZZER, MINI
18	94614	TERMINAL (FEMALE)
19	3358431	KNOB, CYCLE SELECTION
21	3396047	TIMER ASSEMBLY, 60 HZ.
22	3396033	WIRE, JUMPER (SIGNAL BYPASS)
23	3396230	HARNESS, WIRING
30	693995	SCREW (2)
31	693994	SCREW (4)
39	3395395	SWITCH, PUSH-TO-START
48	3396145	TIMER KNOB ASSEMBLY
53	3396293	BRACKET, CONTROL
54	3397177	PANEL, CONTROL (WHITE)
54	3397178	PANEL, CONTROL (ALMOND)

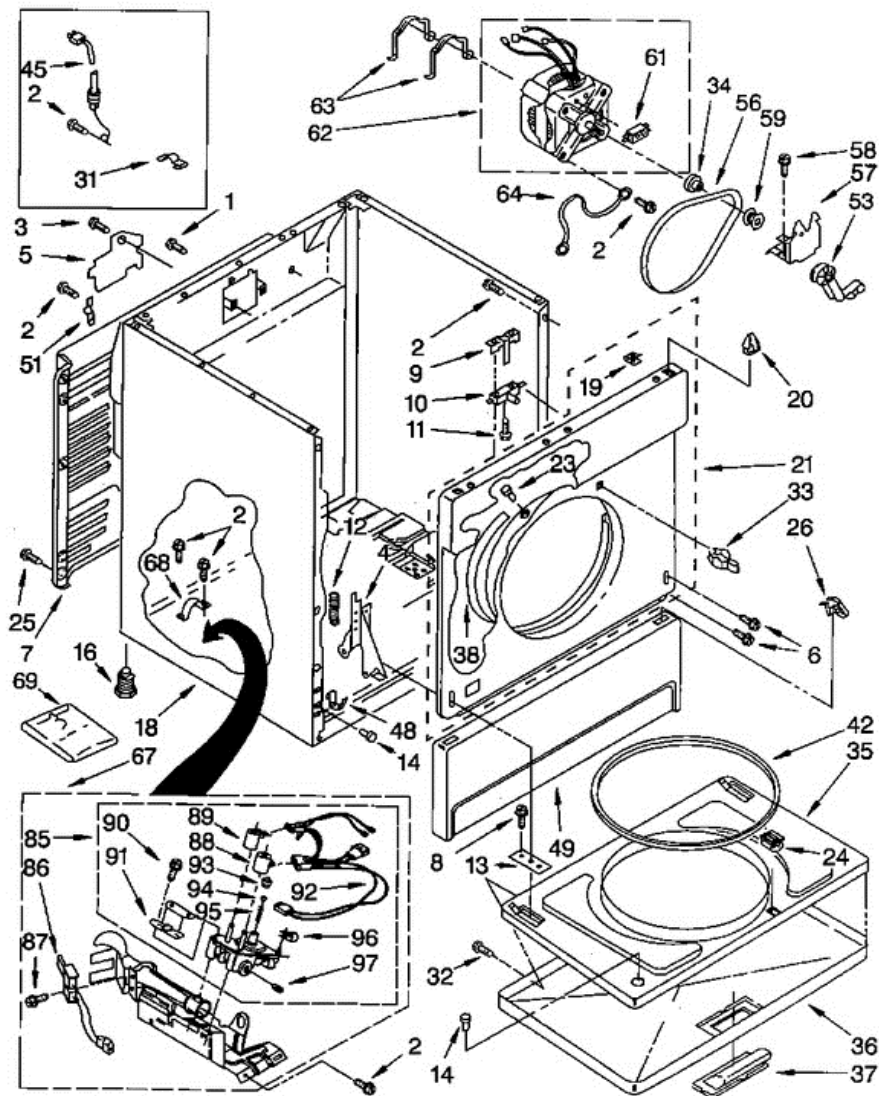
72	690853	WIRE, GROUND
75	691707	RECEPTACLE, LATCHING (3-WAY)
75	94614	TERMINAL (FEMALE)
79	3396013	SWITCH, CYCLE SELECTION
81	3396160	KNOB, PUSH TO START

Distribuidor Autorizado

SurteRápido.com

Venta de Refacciones
Electrodomesticas

LGR7646AN0 GABINETE



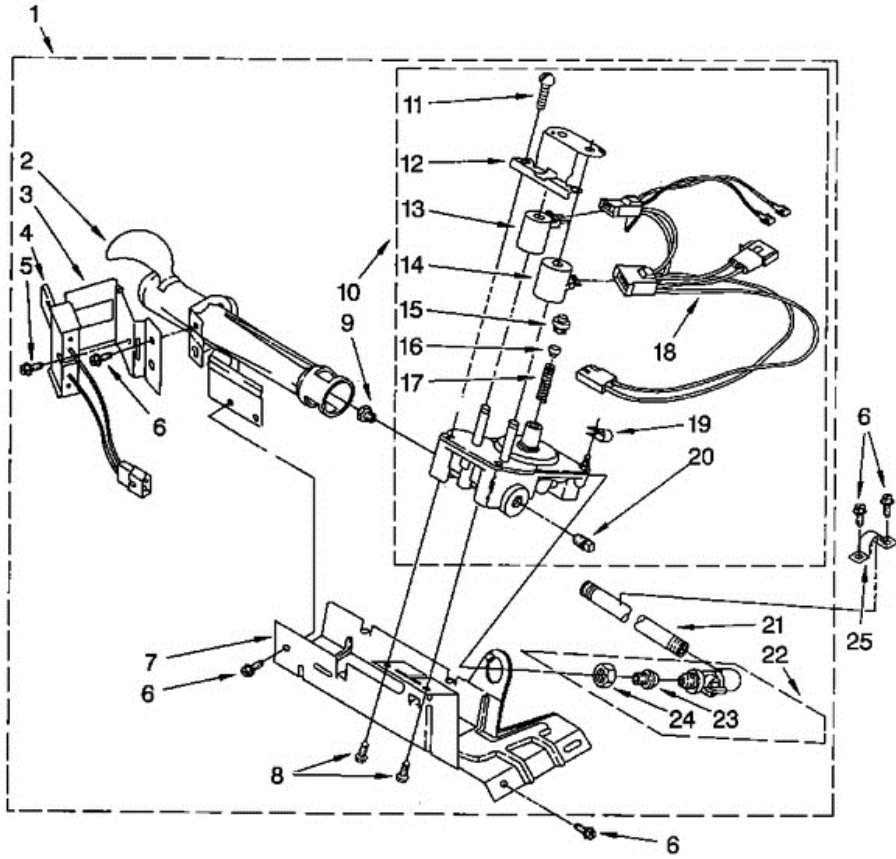


LGR7646AN0 GABINETE

1	697776	SCREW, 10-16 X 1/2 (GROUND)
2	343641	SCREW, 10-16 X 1/2
3	693995	SCREW, HEX WASHER HEAD
4	687905	HINGE, R.H.
4	687906	HINGE, L.H.
5	690893	COVER, BLOCK
6	342043	SCREW, 10-32 X 1/2
7	348364	PANEL, REAR
8	3357011	SCREW, 10-16 X 1/2
9	691581	CLIP, DOOR SWITCH
10	347207	SWITCH, DOOR
11	98129	SCREW, 6-20 X 1-3/8 (2)
12	237979	SPRING, DOOR (2)
13	337189	CLIP, HINGE (2)
14	238614	BUMPER
16	3392100	FOOT, DRYER (PLASTIC) (4)
18	3394118	CABINET (WHITE)
18	3394119	CABINET (ALMOND)
19	98234	CLIP, GROUND (2)
20	690363	LOCK, FRONT TOP (2)
21	338012	UPPER FRONT PANEL (WHITE)
21	689533	UPPER FRONT PANEL (ALMOND)
23	685203	CLIP, FELT PAD
24	690081	CATCH, DOOR ASSEMBLY
25	693994	SCREW, HEX WASHER HEAD (7)
26	3388229	RETAINER, TOE PANEL (2)
31	98997	CLIP, HARNESS
32	694091	SCREW
33	696144	STRIKE, DOOR
34	3393657	RESTRAINER, BELT
35	695954	DOOR, REAR
36	348728	DOOR, FRONT (WHITE)
36	689330	DOOR, FRONT (ALMOND)

37	690270	HANDLE, DOOR (WHITE)
37	690271	HANDLE, DOOR (ALMOND)
38	349464	SEAL & BEARING ASSEMBLY
42	3390733	SEAL, DOOR
45	344020	CORD, POWER
48	297092	CLIP, HINGE (2)
49	692427	PANEL, TOE (WHITE)
49	692428	PANEL, TOE (ALMOND)
51	238088	HINGE, TOP
53	691366	IDLER ASSEMBLY
56	660996	BELT, DRIVE
57	348780	BASE, MOTOR
58	172455	BOLT, 5/16-18 X 3/4
59	3389627	PULLEY 60 HZ
61	3388235	SWITCH, MOTOR
62	3391886	MOTOR ASSEMBLY 60 HZ.
63	343481	(ALT.)
63	660658	CLAMP, MOTOR (2)
63	685441	(ALT.)
64	690236	WIRE, GROUND (MOTOR)
67	694670	BURNER ASSEMBLY 60 HZ. (ALTERNATE)
68	341029	CLAMP, PIPE
69	279243	KIT, CONVERSION (TYPE 1 TO TYPE 3)
69	694572	KIT, CONVERSION (TYPE 1, 2 & 3 TO TYPE 4)
85	694054	VALVE, GAS 60 HZ. (COMPLETE)
86	660991	IGNITOR
86	686590	(ALT.)
87	3393909	SCREW, WASHER
88	694539	COIL, 60 HZ. (SPLIT) (3 TERMINAL) (PILOT POSITION)
89	694540	COIL, 60 HZ. (2 TERMINAL) (MAIN)
90	694421	SCREW, BRACKET MOUNTING (8-32 X 1/2) (2)
91	694538	BRACKET, COIL
92	694426	HARNESS, WIRING (COMPLETE)
93	694424	LEAK, LIMITER
94	694423	SCREW, REGULATOR ADJUSTMENT
95	694422	SPRING, REGULATOR
96	694510	CLIP, HARNESS

LGR7646AN0 QUEMADOR





LGR7646AÑO QUEMADOR

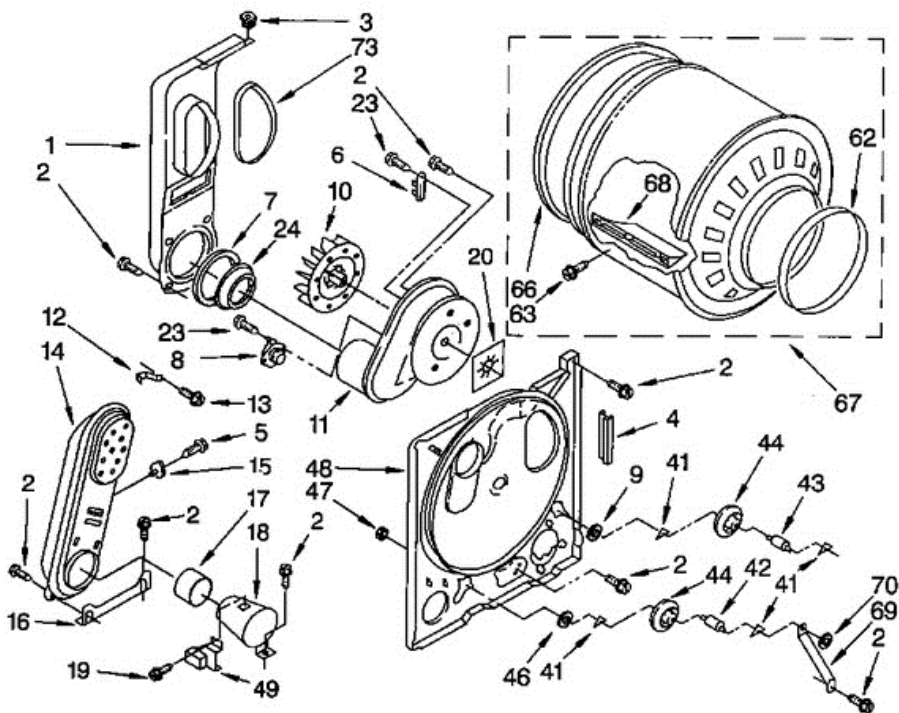
1	694670	BURNER ASSEMBLY 60 HZ. (TYPE 1, 2 & 3)
2	688617	TUBE, BURNER
3	694298	BRACKET, IGNITOR
4	660991	IGNITOR
4	686590	(ALT.)
5	686953	LOCK SCREW & WASHER (8-32 X 5/8)
6	343641	SCREW, 10-16 X 1/2
7	693986	BASE, BURNER
8	339527	SCREW, 8-32 X 3/8 (2)
9	15419	ORIFICE, BURNER (TYPE 3)
9	15775	ORIFICE, BURNER (TYPE 2)
9	229742	ORIFICE, BURNER (TYPE 4 (BUTANE))
9	234826	ORIFICE, BURNER TYPE 1
9	234868	ORIFICE, BURNER (TYPE 4 (PROPANE))
10	694054	VALVE, 60 HZ.
11	694421	SCREW, BRACKET MOUNTING (8-32 X 1/2) (2)
12	694538	BRACKET, COIL
13	694540	COIL, 60 HZ. (2 TERMINAL) (MAIN)
14	694539	COIL, 60 HZ. (SPLIT) (3 TERMINAL) (PILOT POSITION)
15	694424	LEAK, LIMITER
16	694423	SCREW, REGULATOR ADJUSTMENT
17	694422	SPRING, REGULATOR
18	694426	HARNESS, WIRING (COMPLETE)
19	694510	CLIP, HARNESS
20	239822	PLUG, PIPE
21	233273	PIPE, GAS SUPPLY
22	345062	VALVE & UNION, SHUT-OFF
23	3393767	PIPE, TAIL
24	233076	NUT, COMPRESSION
25	279243	CONVERSION KIT TYPE 1 (NATURAL) TO TYPE 3
25	341029	CLAMP, PIPE
25	694572	CONVERSION KIT (TYPE 1, 2 & 3 TO TYPE 4) (L.P.G.)

Distribuidor Autorizado

SurteRápido.com

Venta de Refacciones
Electrodomesticas

LGR7646AN0 TAMBOR





LGR7646AN0 TAMBOR

1	3396352	LINT CHUTE ASSEMBLY
2	343641	SCREW, 10-16 X 1/2
3	98460	NUT, PUSH IN
4	686889	PAD, CABINET
5	90767	SCREW, 8A X 3/8
6	3392519	FUSE, THERMAL
7	347139	SEAL, LINT CHUTE
8	3387139	THERMOSTAT, INTERNAL BIAS
9	3388703	WASHER, SUPPORT
10	694089	WHEEL, BLOWER
11	695081	HOUSING, BLOWER
12	337272	CLIP
13	687128	SCREW, 10-16 X 1/2
14	685458	BOX, HEATER
15	338471	(ALT.)
15	341196	(ALT.)
15	660036	THERMOSTAT, 205 F (96 C)
16	348484	SUPPORT, HEATER BOX
17	348516	COLLAR, FUNNEL
18	347389	FUNNEL, BURNER
19	339554	SCREW
20	3392123	SEAL, BLOWER
23	695239	SCREW, 8-18 X 3/8
24	696302	SHIELD, EXHAUST
41	690997	RING, TRI
42	347364	SHAFT, L.H.
43	339489	SHAFT, R.H.
44	3389901	ROLLER, SUPPORT
46	348197	WASHER, SUPPORT
47	3359452	NUT, 3/8-16
48	3396446	BULKHEAD
49	338906	SENSOR, RADIANT
62	3394509	RING, BEARING

63	97787	SCREW, 11-16 X 7/8
66	3397509	SEAL, REAR DRUM
67	3396778	DRUM ASSEMBLY
68	342847	BAFFLE, DRUM
69	348945	BRACKET, SUPPORT
70	90296	CLIP
73	3396466	SEAL