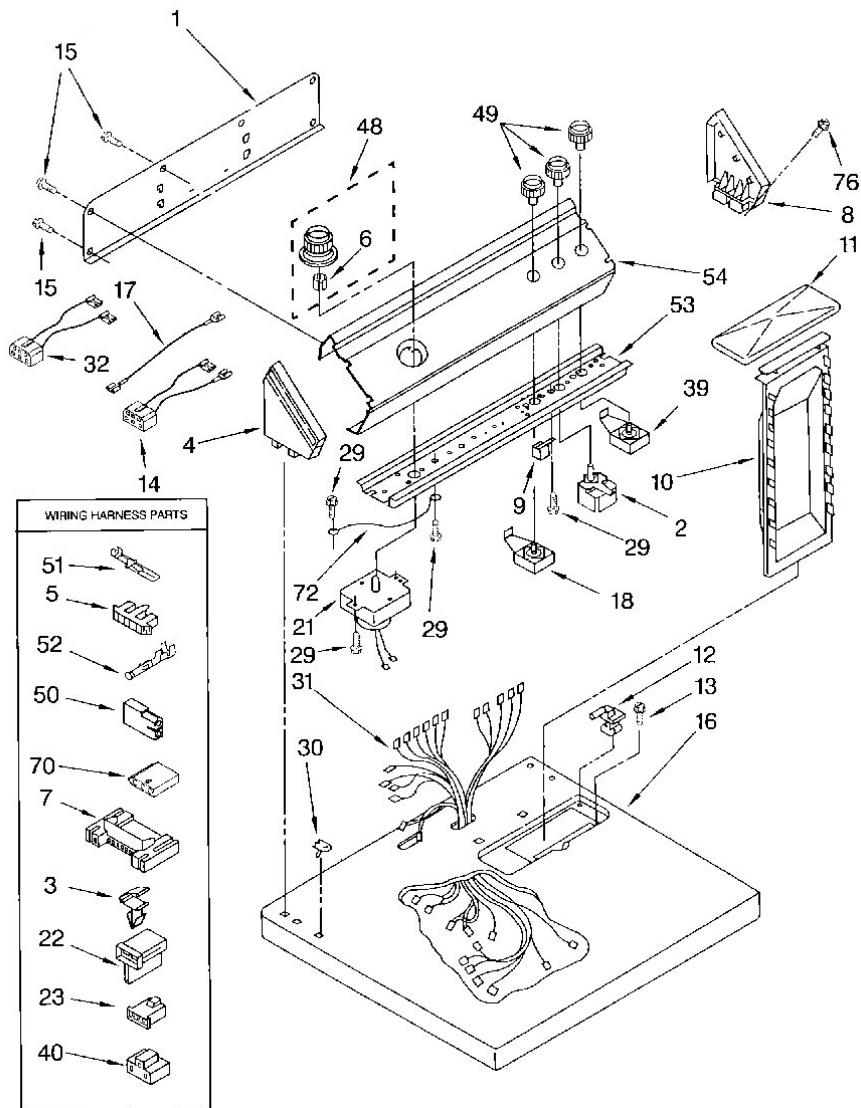


Distribuidor Autorizado

SurteRápido.com

Venta de Refacciones
Electrodomesticas

LGR7646EZ0 TABLERO





LGR7646EZ0 TABLERO

1	3397545	PANEL, REAR CONSOLE (S/P)
2	3405156	SWITCH, FINISH GUARD (S/P)
3	3394427	CLIP, HARNESS (S/P)
4	285846	CAP, END (L.H.) (WHITE)
4	285848	CAP, END (L.H.) (ALMOND) (S/P)
5	3397269	CONNECTOR (TIMER) (S/P)
6	688805	CLIP (S/P)
7	3395683	HOUSING, CONNECTOR (MOTOR) (S/P)
8	285846	CAP, END (R.H.) (WHITE)
8	3358514	CAP, END (R.H.) (ALMOND) (S/P)
9	694419	BUZZER, MINI
10	349639	HANDLE & LINT SCREEN ASSEMBLY
11	697368	COVER, LINT SCREEN (ALMOND) (S/P)
11	697367	COVER, LINT SCREEN (WHITE) (S/P)
12	3978605	HINGE, R.H. (S/P)
12	3978606	HINGE, L.H. (S/P)
13	688983	SCREW, 8-18 X 5/8 (S/P)
14	3397695	WIRE, JUMPER (GUARD/ON-OFF) (S/P)
15	693995	SCREW, HEX HEAD (S/P)
16	8530642	TOP (WHITE) (S/P)
16	3396023	TOP (ALMOND) (S/P)
17	3401684	WIRE, JUMPER (BLACK) (S/P)
18	3399639	SWITCH, TEMPERATURE
21	3976580	TIMER ASSEMBLY (60 HZ.)
22	3403499	CONNECTOR, 2-POSITION (GAS VALVE) (S/P)
23	3403498	CONNECTOR, 3-POSITION (GAS VALVE) (S/P)
29	3390646	SCREW, 8-18 X 5/16 (S/P)
30	357213	NUT, PUSH-IN (2) (S/P)
31	3405125	HARNESS, WIRING (S/P)
32	8539893	WIRE-JUMPER ASSEMBLY (TEMPERATURE) (S/P)
39	3398095	RELAY, PUSH-TO-START
40	3401144	CONNECTOR (PTS RELAY) (S/P)
48	3957752	TIMER KNOB ASSEMBLY (WHITE) (S/P)

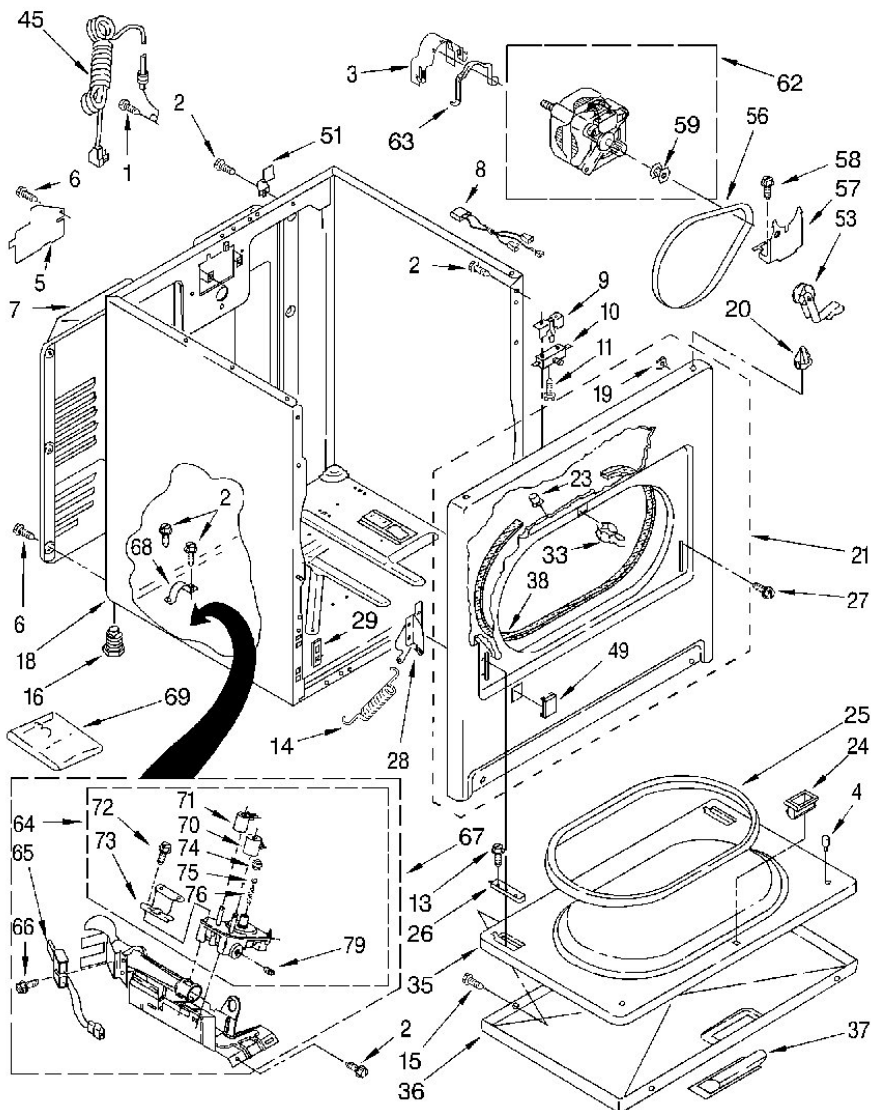
48	3957753	TIMER KNOB ASSEMBLY (ALMOND) (S/P)
49	3950759	KNOB, PUSH TO START (WHITE) (S/P)
49	3950760	KNOB, PUSH TO START (ALMOND) (S/P)
50	717252	RECEPTACLE, 2-WAY (S/P)
51	596797	TERMINAL, MALE (S/P)
52	94614	TERMINAL, FEMALE (S/P)
53	8054298	DESCONTINUADO
54	3976756	DESCONTINUADO
54	3976757	PANEL, CONTROL (ALMOND) (S/P)
70	691707	CONNECTOR (DOOR SWITCH) (S/P)
72	690853	WIRE, GROUND (S/P)
76	388326	SCREW, CONSOLE (S/P)

Distribuidor Autorizado

SurteRápido.com

Venta de Refacciones
Electrodomesticas

LGR7646EZ0 GABINETE





LGR7646EZ0 GABINETE

1	697776	SCREW, 10-32 X 1/2 (EXTERNAL GROUND) (S/P)
2	343641	SCREW, 10-16 X 1/2 (S/P)
3	3404162	CLAMP, MOTOR (W/SHIELD) (S/P)
4	238614	BUMPER (S/P)
5	3396795	COVER, BLOCK (S/P)
6	693995	SCREW, HEX WASHER HEAD (S/P)
7	280043	PANEL, REAR (S/P)
8	3406107	HARNESS, WIRING (DOOR SWITCH)
9	691581	LEVER, DOOR SWITCH
10	279347	SWITCH, DOOR
11	98129	SCREW, 6-20 X 1-3/8 (S/P)
13	694091	SCREW, 8-15 X 3/8 (S/P)
14	692495	SPRING, DOOR (2) (S/P)
15	3357011	SCREW, 10-16 X 1/2 (S/P)
16	3392100	FOOT, DRYER
16	279810	FOOT-OPTIONAL (S/P)
18	3406812	CABINET (WHITE) (S/P)
18	3406813	CABINET (ALMOND) (S/P)
19	98234	CLIP, GROUND (2) (S/P)
20	18776	LOCK, FRONT TOP (2)
21	279740	PANEL FRONT (WHITE) (S/P)
21	279741	PANEL, FRONT (ALMOND) (S/P)
23	279220	CLIP, FELT PAD (2) (S/P)
24	279570	CATCH, DOOR ASSEMBLY
25	3390731	SEAL, DOOR
26	337189	CLIP, HINGE (2) (S/P)
27	342043	SCREW (S/P)
28	8066056	HINGE, R.H. (S/P)
28	8066057	HINGE, L.H. (S/P)
29	3394083	CLIP, FRONT PANEL
33	279570	STRIKE, PANEL
35	695737	DOOR, REAR (S/P)
36	3393549	DOOR, FRONT (WHITE) (S/P)

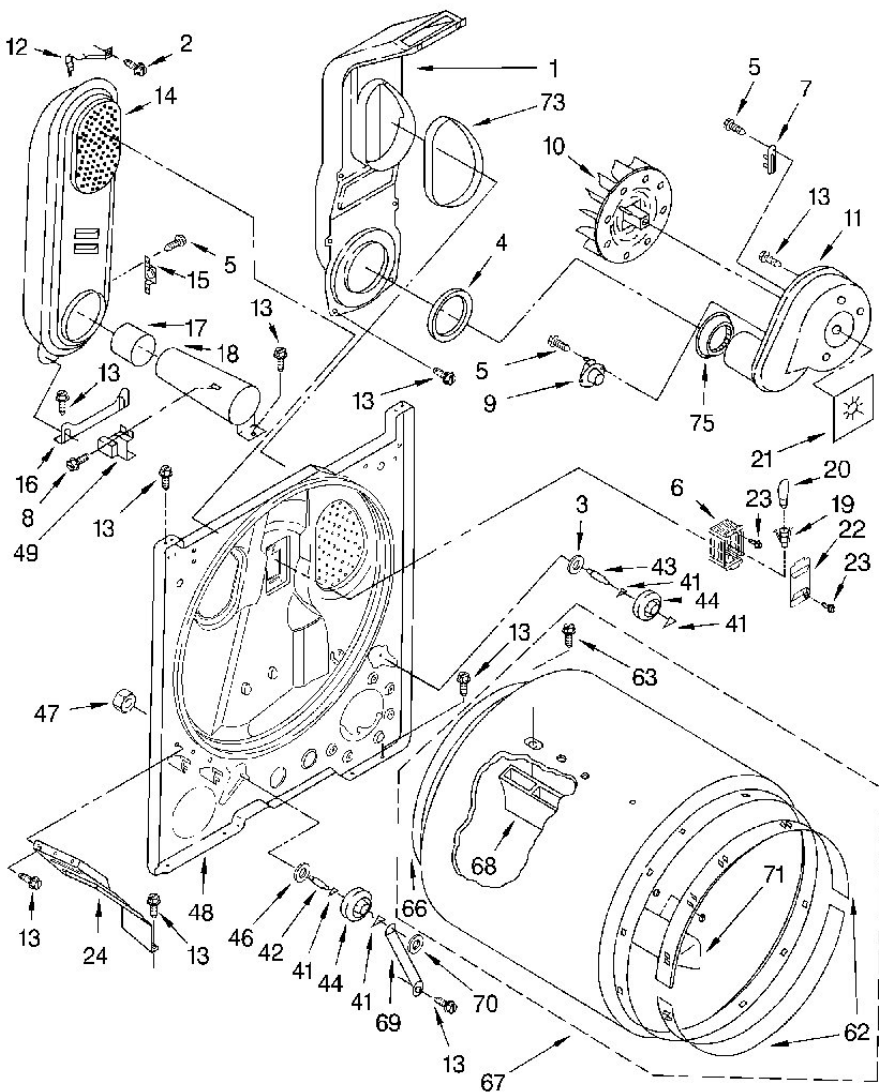
36	3393550	DOOR, FRONT (ALMOND) (S/P)
37	348721	HANDLE, DOOR (WHITE) (S/P)
37	690271	HANDLE, DOOR (ALMOND) (S/P)
38	3406129	SEAL & BEARING ASSEMBLY
45	3401402	CORD, POWER
49	3394975	PLUG, FRONT PANEL (WHITE) (S/P)
49	3394976	PLUG, FRONT PANEL (ALMOND) (S/P)
51	8066217	HINGE, TOP (2) (S/P)
53	691366	IDLER & PULLEY ASSEMBLY
56	341241	BELT, DRIVE
57	348780	BASE, MOTOR (S/P)
58	3400500	BOLT, 5/16-18 X 3/4 (S/P)
59	3394341	PULLEY, 60 HZ. (S/P)
62	279827	MOTOR ASSEMBLY 60 HZ.
63	343481	CLAMP, MOTOR (S/P)
64	279923	VALVE, GAS 60 HZ. (COMPLETE)
65	WE4X750	IGNITOR
66	3393909	LOCK SCREW & WASHER (8-32 X 5/8) (S/P)
67	279536	DESCONTINUADO
68	341029	CLAMP, PIPE (S/P)
69	49572	KIT, CONVERSION TYPE 1, 2 & 3 TO TYPE 4 (LPG)
70	694539	COIL, 60 HZ. SPLIT (3 TERMINAL) (S/P)
71	694540	COIL, 60 HZ. (2 TERMINAL) (MAIN) (S/P)
72	694421	SCREW, BRACKET MOUNTING (8-32 X 1/2) 2 (S/P)
73	694538	BRACKET, COIL (S/P)
74	694424	LEAK LIMITER (S/P)
75	694423	SCREW, REGULATOR ADJUSTMENT (S/P)
76	694422	SPRING, REGULATOR (S/P)
79	239822	PLUG, PIPE (S/P)

Distribuidor Autorizado

SurteRápido.com

Venta de Refacciones
Electrodomesticas

LGR7646EZ0 TAMBOR



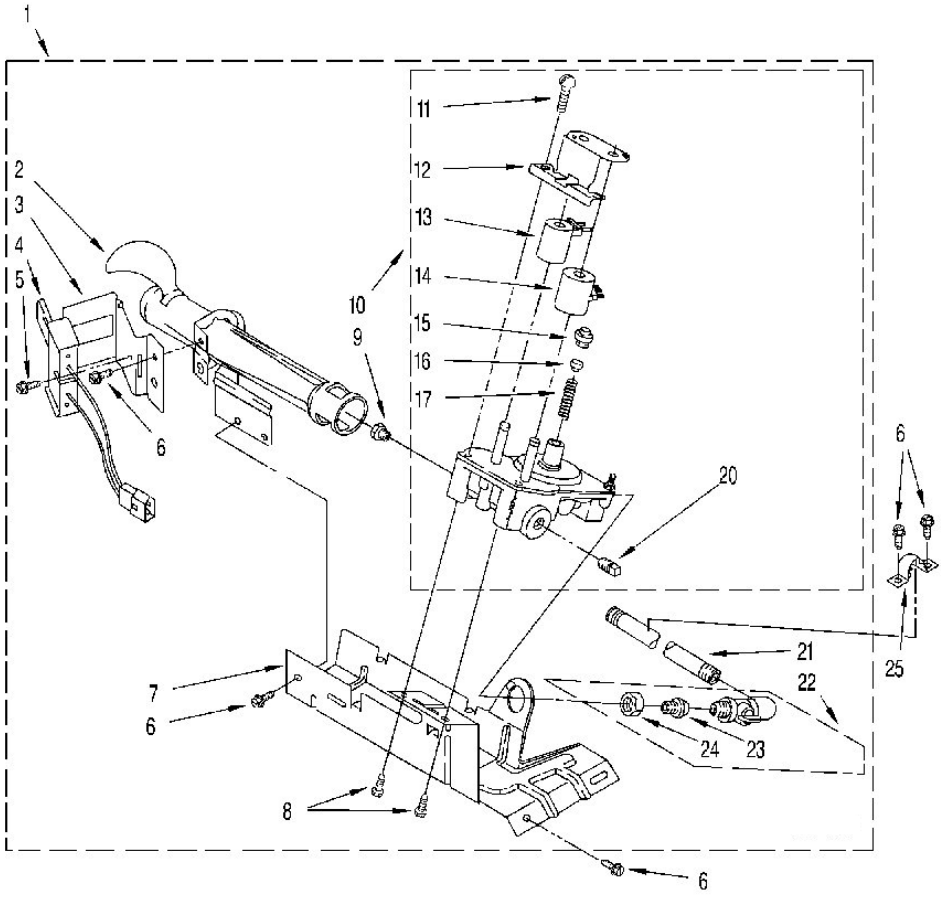


LGR7646EZ0 TAMBOR

1	3396352	LINT CHUTE ASSEMBLY (S/P)
2	3400800	SCREW, 8-18 X 3/4` (S/P)
3	3388703	WASHER-SUPPORT (S/P)
4	347139	SEAL, LINT CHUTE (S/P)
5	90767	SCREW, 8 X 3/8 (S/P)
6	3977373	BRACKET, DRUM LIGHT (S/P)
7	3392519	FUSE, THERMAL
8	339554	SCREW (S/P)
9	3387134	THERMOSTAT, INTERNAL-BIAS
10	694089	WHEEL, BLOWER (INCLUDES ILLUS. NO. 21)
11	8577230	HOUSING, BLOWER (S/P)
12	279771	CLIP (S/P)
13	343641	SCREW, 10-16 X 1/2 (S/P)
14	279900	BOX, HEATER
15	3403140	THERMOSTAT, 205~F (96~C)
16	348484	SUPPORT, HEATER BOX (S/P)
17	279900	COLLAR, FUNNEL
18	279900	FUNNEL, BURNER
19	3403634	SOCKET ASSEMBLY (S/P)
20	17512	BULB (S/P)
21	3394196	SEAL, BLOWER (S/P)
22	3402841	LENS, DRUM LIGHT (S/P)
23	3357011	SCREW, 10-12 X 1/2 (S/P)
24	690997	BRACKET, BULKHEAD (S/P)
41	690997	RING, TRI (S/P)
42	3399506	SHAFT, L.H.
43	339489	SHAFT, R.H.
44	349241	ROLLER, SUPPORT
46	348197	WASHER, SUPPORT (S/P)
47	3359452	NUT, 3/8-16 (S/P)
48	279798	BULKHEAD (S/P)
49	338906	SENSOR, RADIANT
62	279441	RING, BEARING

63	97787	SCREW, 11-16 X 7/8 (S/P)
66	279408	SEAL, REAR DRUM
67	695587	DRUM ASSEMBLY (S/P)
68	692490	BAFFLE, DRUM (2) (S/P)
69	3976434	BRACKET, SUPPORT (S/P)
70	90296	CLIP (S/P)
71	3403636	BAFFLE, DRUM (1) (S/P)
73	339956	SEAL (S/P)
75	696302	SHIELD, EXHAUST (S/P)

LGR7646EZ0 QUEMADOR





LGR7646EZ0 QUEMADOR

1	279536	DESCONTINUADO
2	693140	TUBE, BURNER (S/P)
3	694298	BRACKET, IGNITOR (S/P)
4	WE4X750	IGNITOR
5	3393909	SCREW & WASHER (8-32 X 5/8) (S/P)
6	343641	SCREW, 10-16 X 1/2 (S/P)
7	693986	DESCONTINUADO
8	3387057	SCREW, 8-18 X 3/8 (2) (S/P)
9	234826	ORIFICE, BURNER (TYPE 1) (S/P)
9	15419	ORIFICE, BURNER (TYPE 3) (S/P)
9	15775	DESCONTINUADO
9	229742	ORIFICE, BURNER (TYPE 4 (BUTANE)) (S/P)
9	234868	ORIFICE, BURNER (TYPE 4 (PROPANE)) (S/P)
10	279923	VALVE, 60 HZ.
11	694421	SCREW, 8-32 X 1/2 (2) (S/P)
12	694538	BRACKET, COIL (S/P)
13	694540	COIL, 60 HZ. (2 TERMINAL) (MAIN) (S/P)
14	694539	COIL, 60 HZ. (SPLIT) (3 TERMINAL) (S/P)
15	694424	LEAK LIMITER (S/P)
16	694423	SCREW, REGULATOR ADJUSTMENT (S/P)
17	694422	SPRING, REGULATOR (S/P)
20	239822	PLUG, PIPE (S/P)
21	696237	PIPE, GAS SUPPLY (S/P)
22	3393659	VALVE & UNION, SHUT-OFF (S/P)
23	3393767	PIPE, TAIL (S/P)
24	233076	NUT, COMPRESSION (S/P)
25	341029	CLAMP, PIPE (S/P)
25	49572	CONVERSION KIT (TYPE 1, 2 & 3)