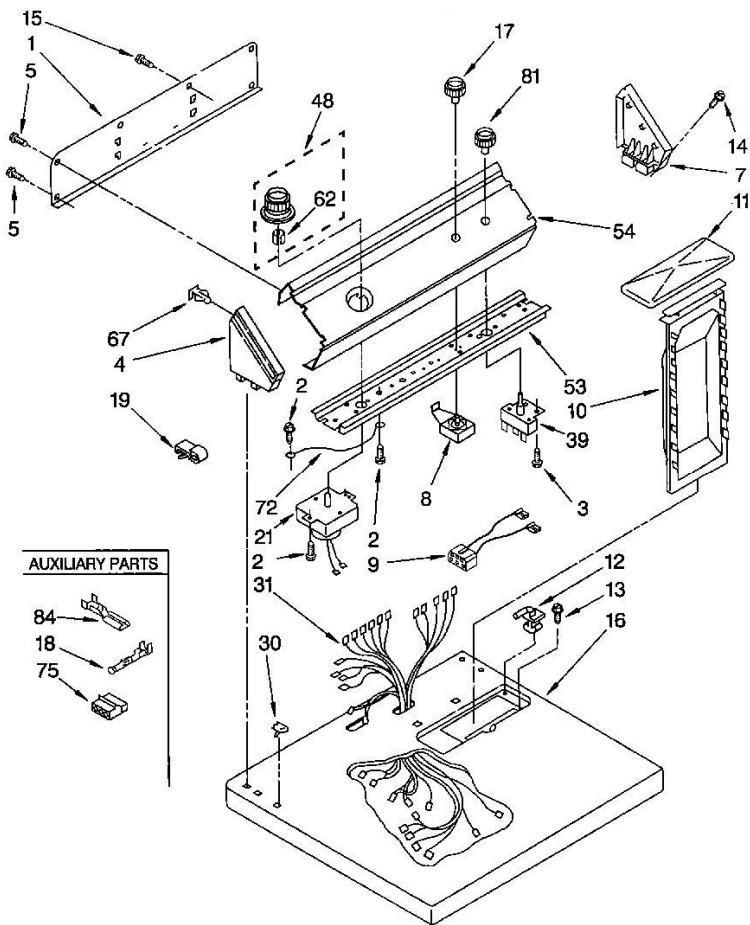


Distribuidor Autorizado

SurteRápido.com

Venta de Refacciones
Electrodomesticas

LGT6634AW0 TABLERO





LGT6634AW0 TABLERO

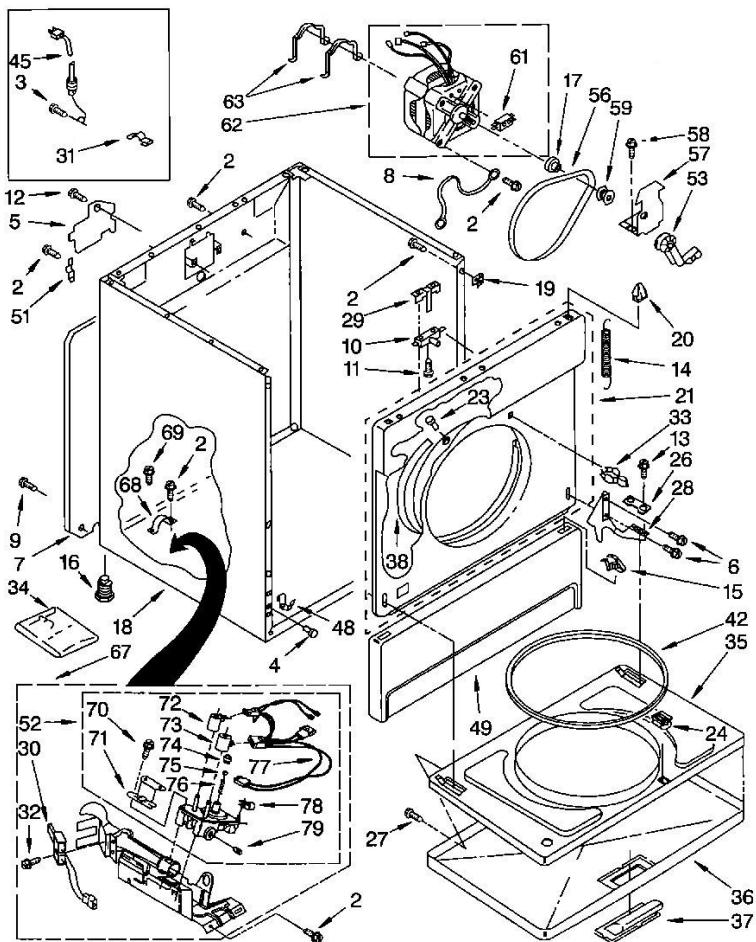
1	3397545	PANEL, REAR CONSOLE (S/P)
3	3390647	SCREW, 8-18 X 1/2 (S/P)
4	285848	CAP, END (L.H.) (ALMOND) (S/P)
4	285846	CAP, END (L.H.) (WHITE)
7	285846	CAP, END (R.H.) (WHITE)
7	285848	CAP, END (R.H.) (ALMOND) (S/P)
8	3354281	SWITCH, TEMPERATURE
9	8283286	WIRE-JUMPER ASSEMBLY (S/P)
10	339392	SCREEN, LINT
11	697368	COVER, LINT SCREEN (ALMOND) (S/P)
11	697367	COVER, LINT SCREEN (WHITE) (S/P)
12	3978605	HINGE, R.H. (S/P)
12	6978606	HINGE, L.H. (S/P)
16	8530642	TOP (WHITE) (S/P)
16	3396023	TOP (ALMOND) (S/P)
17	8271338	CONTROL KNOB, TEMPERATURE (S/P)
18	94614	TERMINAL (S/P)
19	689180	DESCONTINUADO
21	3392250	TIMER ASSEMBLY, 60 HZ.
30	357213	NUT, PUSH-IN (2) (S/P)
31	3396224	HARNESS, WIRING (S/P)
39	279173	SWITCH, PUSH-TO-START
48	3396148	TIMER KNOB & DIAL (S/P)
53	8054298	BRACKET, CONTROL (S/P)
54	3397162	PANEL, CONTROL (WHITE) (S/P)
54	3397163	PANEL, CONTROL (ALMOND) (S/P)
62	688805	CLIP (S/P)
67	689559	NUT, PUSH-ON (4) (S/P)
72	690853	WIRE, GROUND (S/P)
75	691707	RECEPTACLE, 3-WAY TERMINAL (S/P)
81	8271343	KNOB, PUSH-TO-START (S/P)
84	596797	TERMINAL (S/P)

Distribuidor Autorizado

SurteRápido.com

Venta de Refacciones
Electrodomesticas

LGT6634AW0 GABINETE





LGT6634AW0 GABINETE

2	343641	SCREW, 10-16 X 1/2 (S/P)
3	697776	SCREW, 10-32 X 1/2 (S/P)
4	238614	BUMPER (2) (S/P)
5	3396795	COVER, BLOCK (S/P)
6	342043	SCREW, 10-32 X 1/2 (S/P)
7	347736	DESCONTINUADO
8	690236	WIRE, GROUND (MOTOR) (S/P)
9	693994	SCREW, HEX WASHER HEAD (7) (S/P)
10	279347	SWITCH, DOOR
11	98129	SCREW, 6-20 X 7/8 (2) (S/P)
12	693995	SCREW, 10-16 X 1/2 (S/P)
13	3357011	SCREW, 10-16 X 1/2 (S/P)
14	237979	SPRING, DOOR (2) (S/P)
15	3388229	CLIP, TOE PANEL
16	3392100	FOOT, DRYER (4)
17	3393657	RESTRAINER, BELT (S/P)
18	3399580	CABINET (WHITE) (S/P)
18	3399581	CABINET (ALMOND) (S/P)
19	98234	CLIP, GROUND (2) (S/P)
20	18776	LOCK, FRONT TOP (2)
21	689727	DESCONTINUADO
21	689728	FRONT PANEL ASSEMBLY (ALMOND) (S/P)
23	279220	CLIP, FELT PAD (S/P)
24	279570	CATCH, DOOR
26	337189	CLIP, HINGE (S/P)
27	694091	SCREW (S/P)
28	687905	HINGE, R.H. (S/P)
28	687906	HINGE, L.H. (S/P)
29	691581	LEVER, DOOR SWITCH
30	WE4X750	IGNITOR
31	98997	CLIP, HARNESS (S/P)
33	279570	STRIKE, DOOR
34	49572	CONVERSION KIT (L.P.G.)

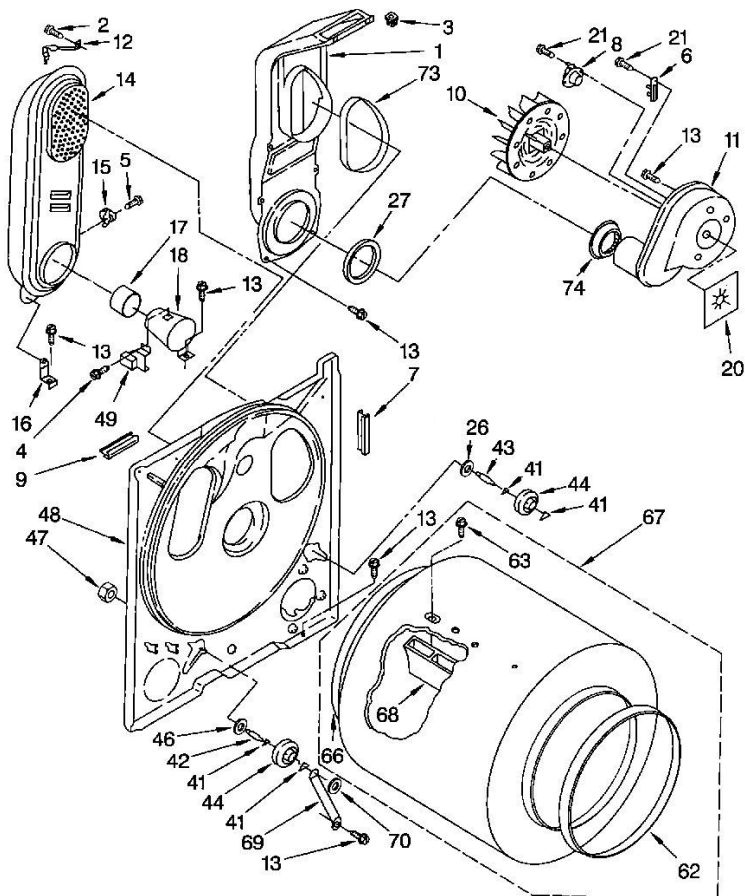
34	279243	CONVERSION KIT TYPE 1 (NATURAL) (S/P)
35	695954	DOOR, REAR (S/P)
36	689330	DOOR, FRONT (ALMOND) (S/P)
36	348728	DOOR, FRONT (WHITE) (S/P)
37	348721	HANDLE, DOOR (WHITE) (S/P)
37	690271	HANDLE, DOOR (ALMOND) (S/P)
38	279264	SEAL & BEARING ASSEMBLY
42	3390733	SEAL, DOOR
45	3401402	CORD, POWER
48	297092	CLIP, HINGE (2)
49	279835	DESCONTINUADO
49	279841	PANEL, TOE (WHITE) (S/P)
51	8066217	HINGE, TOP (2) (S/P)
52	279923	VALVE, 60 HZ. (COMPLETE)
53	691366	IDLER & PULLEY ASSEMBLY
56	341241	BELT, DRIVE
57	348780	BASE, MOTOR (S/P)
58	172455	BOLT, 5/16-18 X 3/4 (S/P)
59	3394341	PULLEY, 60 HZ. (S/P)
61	3388235	SWITCH (USE W/3391888 MOTOR)
62	279827	MOTOR, 60 HZ.
63	343481	CLAMP, MOTOR (2) (S/P)
67	279536	DESCONTINUADO
68	341029	CLAMP, PIPE (S/P)
69	343641	SCREW, 10-16 X 1/2 (S/P)
70	694421	SCREW, BRACKET MOUNTING 8-32 X 1/2 (2) (S/P)
71	694538	BRACKET, COIL (S/P)
72	694540	COIL, 60 HZ. (2 TERMINAL) (MAIN) (S/P)
73	694539	COIL, 60 HZ. (SPLIT) (3 TERMINAL) (S/P)
74	694424	LEAK LIMITER (S/P)
75	694423	SCREW, REGULATOR ADJUSTMENT (S/P)
76	694422	SPRING, REGULATOR (S/P)
77	3401850	HARNESS, WIRING (COMPLETE) (S/P)
78	694510	CLIP, HARNESS (S/P)
79	239822	PLUG, PIPE (S/P)

Distribuidor Autorizado

SurteRápido.com

Venta de Refacciones
Electrodomesticas

LGT6634AW0 TAMBOR



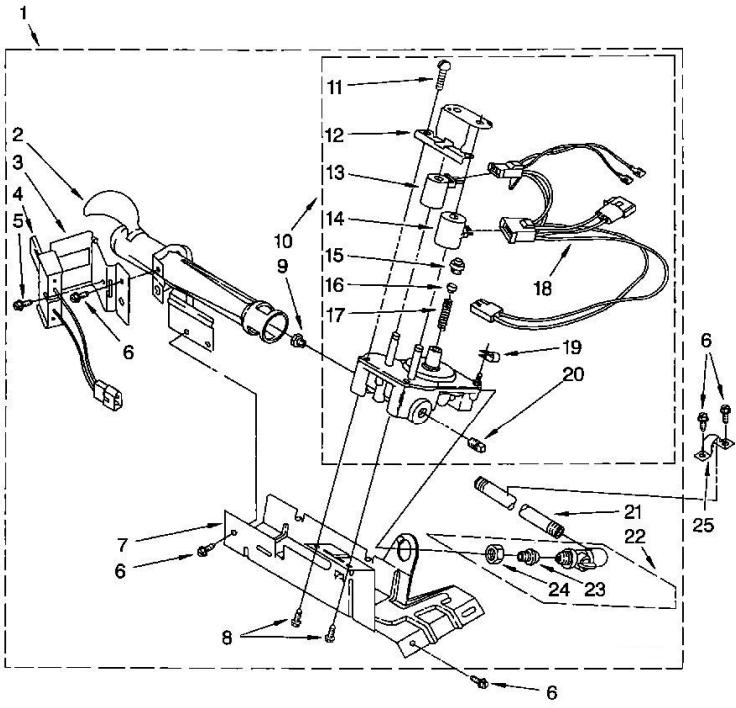


LGT6634AW0 TAMBOR

1	279505	LINT CHUTE, ASSEMBLY
2	687128	SCREW, 10-16 X 1/2 (S/P)
3	98460	NUT, PUSH-IN (S/P)
4	339554	SCREW (S/P)
5	90767	SCREW, 8A X 3/8 (S/P)
6	3392519	FUSE, THERMAL
7	686889	PAD, CABINET (S/P)
8	3387134	THERMOSTAT, INTERNAL-BIAS
9	786068	PAD, CABINET (BLOWER HOUSING) (S/P)
10	694089	WHEEL, BLOWER (INCLUDES ILLUS. NO. 20)
11	8577230	HOUSING, BLOWER (S/P)
12	279771	CLIP (S/P)
13	343641	SCREW, 10-16 X 1/2 (S/P)
14	279900	BOX, HEATER
15	279048	THERMOSTAT, 205~F (96~C)
15	341196	THRMST-FIX (S/P)
16	337445	SUPPORT, HEATER BOX (2) (S/P)
17	279900	COLLAR, FUNNEL
18	279900	FUNNEL, BURNER
20	3394196	SEAL, BLOWER (S/P)
21	695239	SCREW, 8-18 X 3/8 (S/P)
26	3388703	WASHER, SUPPORT (S/P)
27	347139	SEAL, LINT CHUTE (S/P)
41	690997	RING, TRI (S/P)
42	3399506	SHAFT, L.H.
43	339489	SHAFT, R.H.
44	349241	ROLLER, SUPPORT
46	348197	WASHER, SUPPORT (S/P)
47	3359452	NUT, 3/8-16 (S/P)
48	279793	BULKHEAD (S/P)
49	338906	SENSOR, RADIANT
62	3394509	RING, BEARING
63	97787	SCREW, 11-16 X 7/8 (S/P)

66	239087	SEAL, REAR DRUM
67	697760	DRUM ASSEMBLY (S/P)
68	342847	BAFFLE, DRUM (S/P)
69	3976435	BRACKET, SUPPORT (S/P)
70	90296	CLIP (S/P)
73	339956	SEAL (S/P)
74	696302	SHIELD, EXHAUST (S/P)

LGT6634AW0 QUEMADOR





LGT6634AW0 QUEMADOR

1	279536	DESCONTINUADO
2	693140	TUBE, BURNER (S/P)
3	694298	BRACKET, IGNITOR (S/P)
4	WE4X750	IGNITOR
5	686953	SCREW & WASHER (8-32 X 5/8) (S/P)
6	343641	SCREW, 10-16 X 1/2 (S/P)
7	693986	DESCONTINUADO
8	339527	SCREW, 8-32 X 3/8 (2) (S/P)
9	15419	ORIFICE, BURNER (TYPE 3) (S/P)
9	15775	DESCONTINUADO
9	229742	ORIFICE, BURNER (TYPE 4 (BUTANE)) (S/P)
9	234868	ORIFICE, BURNER (TYPE 4 (PROPANE)) (S/P)
9	234826	ORIFICE, BURNER (TYPE 1) (S/P)
10	279923	VALVE, 60 HZ.
11	694421	SCREW, 8-32 X 1/2 (2) (S/P)
12	694538	BRACKET, COIL (S/P)
13	694540	COIL, 60 HZ. (2 TERMINAL) (MAIN) (S/P)
14	694539	COIL, 60 HZ. (SPLIT) (3 TERMINAL) (S/P)
15	694424	LEAK LIMITER (S/P)
16	694423	SCREW, REGULATOR ADJUSTMENT (S/P)
17	694422	SPRING, REGULATOR (S/P)
18	3401850	HARNESS, WIRING (COMPLETE) (S/P)
19	694510	CLIP, HARNESS (S/P)
20	239822	PLUG, PIPE (S/P)
21	696237	PIPE, GAS SUPPLY (S/P)
22	3393659	VALVE & UNION, SHUT-OFF (S/P)
23	3393767	PIPE, TAIL (S/P)
24	233076	NUT, COMPRESSION (S/P)
25	279243	CONVERSION KIT TYPE (1) (S/P)
25	341029	CLAMP, PIPE (S/P)
25	49572	CONVERSION KIT