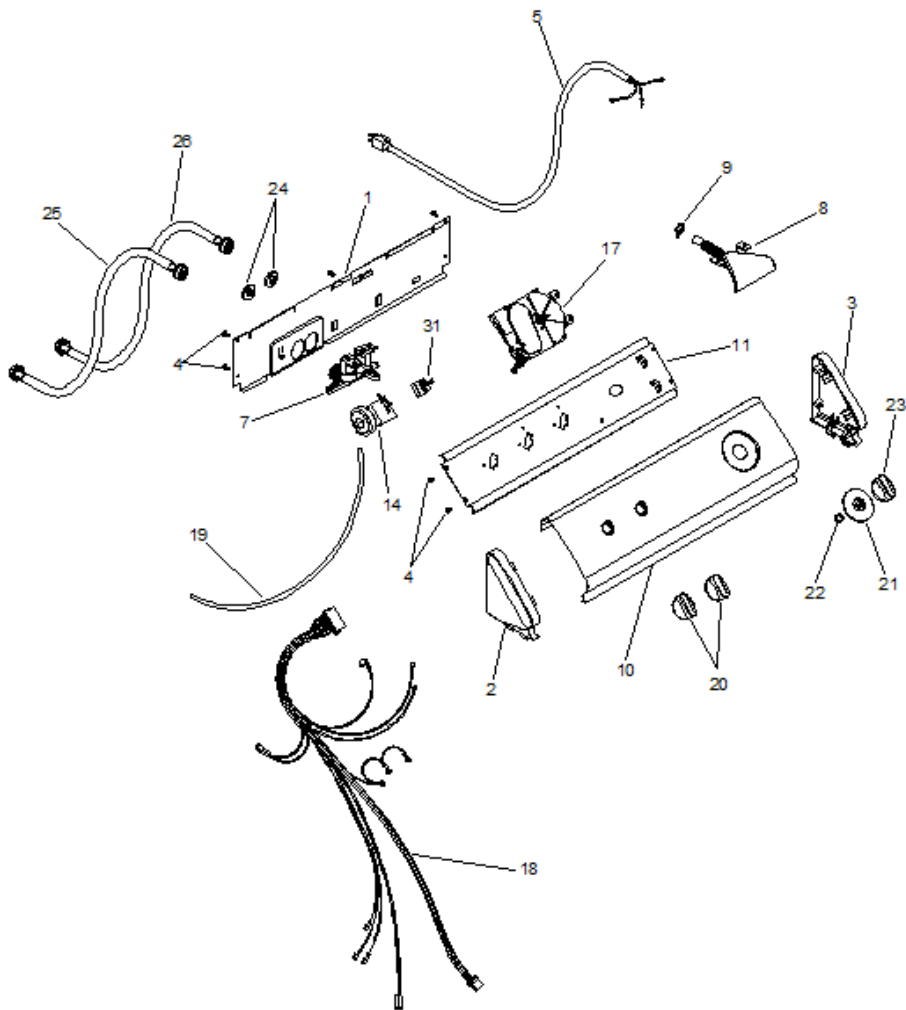
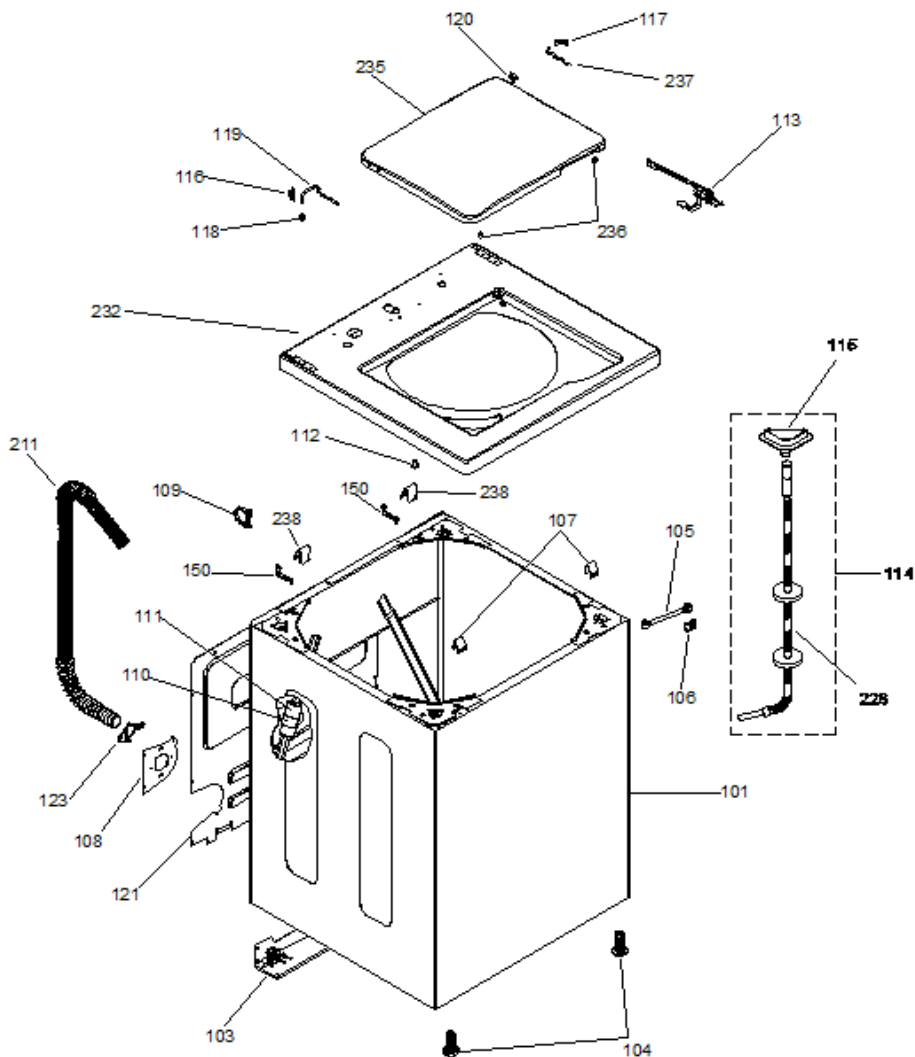


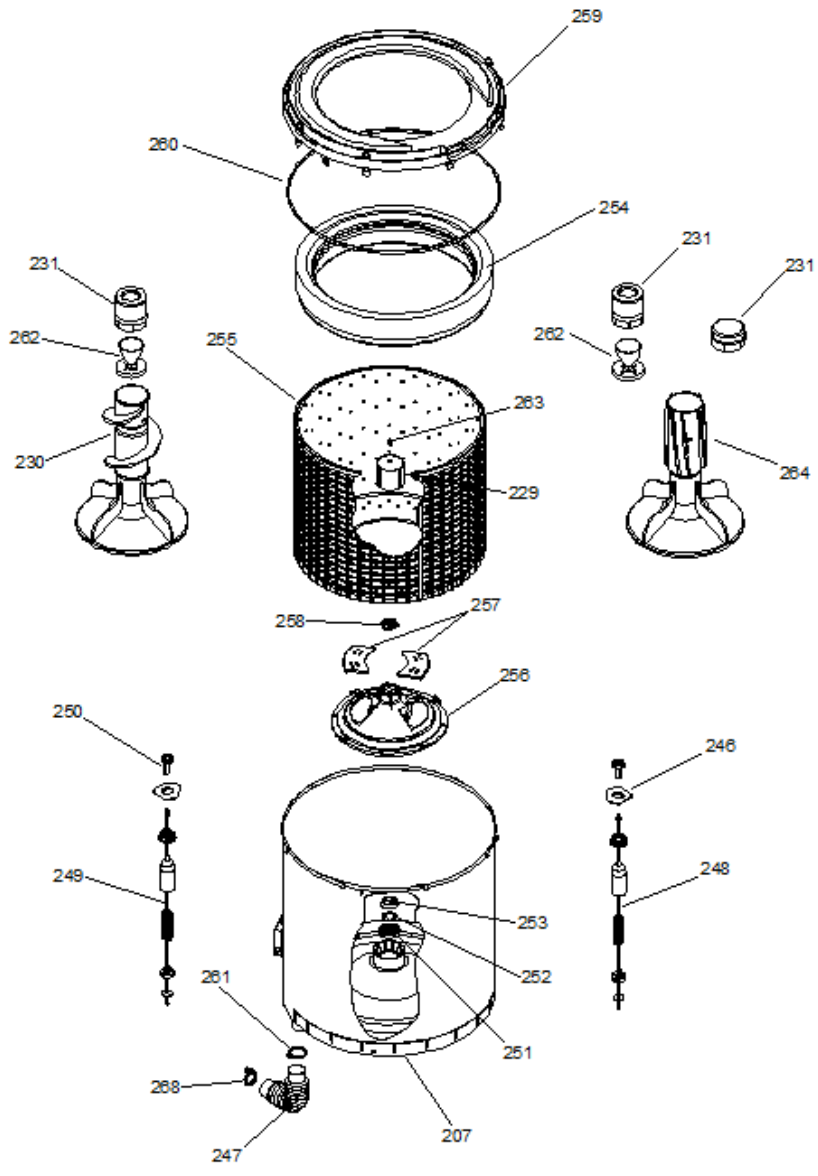
LHA2060B0

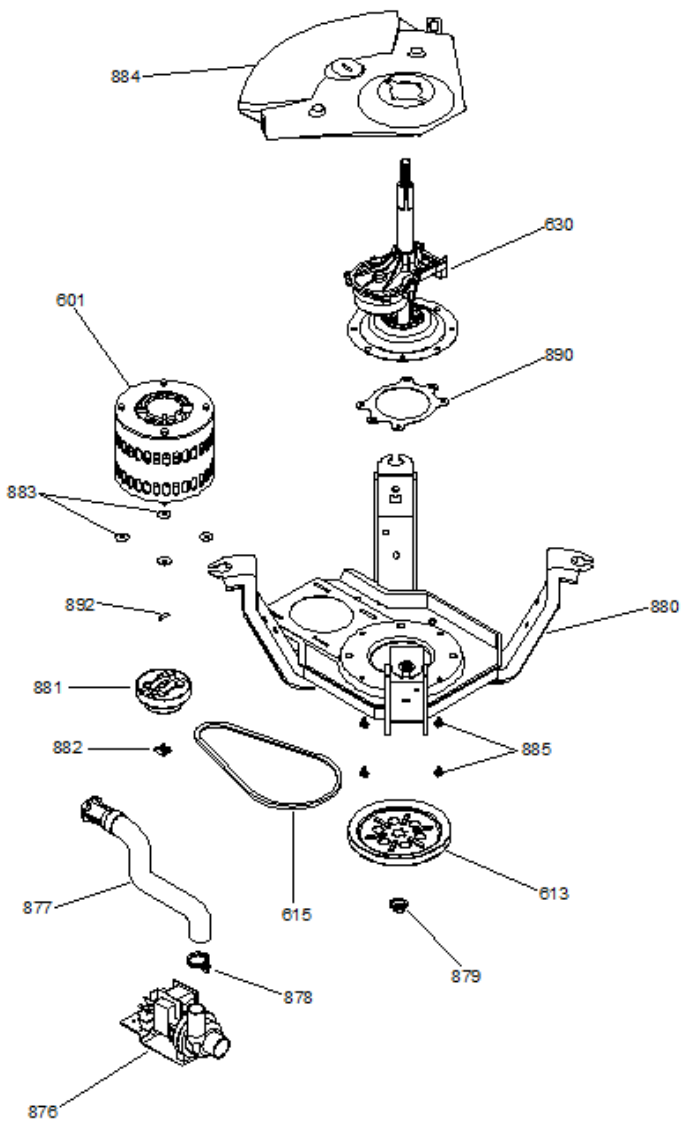


LHA2060B0



LHA2060B0







LHA2060B0

| | | |
|-----|--------------|--------------------------------|
| 1 | 189D1004P001 | RESPALDO COPETE 24" |
| 2 | 189D1176P002 | REMATE COPETE STD IZQ. (BCO.) |
| 3 | 189D1176P001 | REMATE COPETE STD DER. (BCO.) |
| 4 | 109B3400P115 | TORNILLO 8-18 AB HXW 3/8 S |
| 5 | 189D1194P001 | CABLE TOMACORRIENTE |
| 7 | 175D2937P001 | VALVULA PARA AGUA (127 V.) |
| 8 | 189D1455P001 | ENTRADA MANGUERA DE AGUA |
| 9 | 109B8787P014 | ABRAZADERA ENTRADA DE AGUA |
| 10 | 189D1587P001 | VISTA DECORATIVA |
| 11 | 189D1000P001 | SOPORTE CONTROLES STD 24" |
| 14 | 175D2290P015 | PRESOSTATO |
| 17 | 175D2307P024 | CONTROL DE TIEMPO (127 V.) |
| 18 | 189D1210P001 | ARNES |
| 19 | 323B1052P002 | MANGUERA PRESOSTATO LARGA |
| 20 | 189D1233G001 | PERILLA ROTATORIA ENS. (BCA.) |
| 21 | 189D1055P006 | CARATULA PERILLA CTL. (BCA.) |
| 22 | 5401618P002 | ANILLO DE COMPRESION CARATULA |
| 23 | 189D1235G001 | PERILLA CTL. TIEMPO ENS.(BCA.) |
| 24 | 603600 | EMPAQUE MANGUERA LLENADO |
| 25 | 141A6384G058 | MANGUERA LLENADO AGUA CALIENTE |
| 26 | 141A6384G059 | MANGUERA LLENADO AGUA FRIA |
| 31 | 175D2314P002 | INTERRUPTOR ROTATORIO 3 TEMP. |
| 101 | 189D1036G001 | GABINETE 24" RECTO ENS. (BCO.) |
| 103 | 189D1148G001 | BASE POSTERIOR 24" ENS. |
| 104 | 143B9532P002 | PATA NIVELADORA |
| 105 | 123C7979P001 | TIRANTE |
| 106 | 123C7980P001 | RETEN TIRANTE |
| 107 | 228C1043P001 | CLIP DE CUBIERTA CHICO |
| 108 | 228C1003P001 | SOPORTE MANGUERA |
| 109 | 175D2504P001 | CLIP ANTI SIFON |
| 110 | 228C1018P001 | ABRAZADERA CAPACITOR |
| 111 | 228C1062P001 | CAPACITOR TERMINAL SENC. |
| 112 | 323B1125P001 | GUIA PARA CUBIERTA |

| | | |
|-----|--------------|--------------------------------|
| 113 | 189D1229G001 | INTERRUPTOR TAPA ENS. |
| 114 | 189D1603G001 | DEPOSITO BLANQUEADOR ENS. |
| 115 | 175D2865P001 | DESPACHADOR BLANQUEADOR |
| 116 | 175D2535P007 | ALOJAMIENTO BISAGRA DOBLE BCA. |
| 117 | 175D2556P015 | ALOJAMIENTO BISAGRA SENC. BCA. |
| 118 | 143B9554P001 | TOPE BISAGRA |
| 119 | 123C8025P001 | BISAGRA DE ALAMBRE (LARGA) |
| 120 | 123C7978P001 | PALANCA ACTUADOR TAPA |
| 121 | 189D1032P001 | RESPALDO P/SERVICIO |
| 123 | 175D1259P001 | CLIP MANGUERA EXTERNA |
| 150 | 141A6134P002 | TIRANTE CUBIERTA LINEA "S" |
| 207 | 189D1106G001 | TINA ENS. |
| 211 | 189D1599P001 | MANGUERA DRENADO EXTERNA |
| 226 | 189D1483P001 | MANGUERA DESP. BLANQ. CORRUG. |
| 229 | 175D2110P003 | COPELE AGITADOR PLASTICO |
| 231 | 189D1180P001 | TAPA AGITADOR F.S.D. |
| 232 | 189D1145P015 | CUBIERTA RECTA C/DESP. (BCA.) |
| 235 | 189D1141G009 | TAPA RECTA ENS. (BCA.) |
| 236 | 123C8091P001 | PROTECTOR PARA TAPA |
| 237 | 123C8029P002 | BISAGRA DE ALAMBRE CORTA |
| 238 | 141A7584P002 | CLIP DE CUBIERTA GRANDE |
| 246 | 175D2534P001 | ALOJAMIENTO ROTULA |
| 247 | 123C7981P002 | MANGUERA SALIDA (TINA A BOMBA) |
| 248 | 189D1138G006 | SUSPENSION ESP. ENS. |
| 249 | 189D1138G005 | SUSPENSION ENS. |
| 250 | 175D2259P001 | ROTULA SUPERIOR |
| 251 | 175D2951P001 | SELLO TINA |
| 252 | 143B9506P001 | RONDANA FONDO CANASTA |
| 253 | 123C8006P002 | ANILLO CONICO SECCIONADO |
| 254 | 189D1021G001 | ARO BALANCE ENS. |
| 255 | 189D1105G001 | ENSAMBLE CANASTA 8 KG. |
| 256 | 189D1171P001 | FONDO CANASTA |
| 257 | 175D2845P001 | FILTRO ATRAPA PELUSA |
| 258 | 228C1073P001 | TUERCA FONDO CANASTA NVO.ACAB. |
| 259 | 189D1018P001 | CUBIERTA TINA |
| 260 | 323B1061P001 | SELLO MEC. TINA |
| 261 | 143B9551P001 | ABRAZADERA (SALIDA DE TINA) |
| 262 | 175D2112P001 | COPA FSD |

| | | |
|-----|--------------|--------------------------------|
| 263 | 8911225P043 | TORN.(COPL AGI)1/4"-20 MCH 5/8 |
| 264 | 189D1393G001 | AGITADOR RADIAL ENS. (BCO.) |
| 601 | 189D1299P001 | MOTOR 1 VEL. (127 V./ 60 HZ.) |
| 601 | 189D1299P001 | MOTOR 1 VEL. (127 V./ 60 HZ.) |
| 601 | 189D1299P001 | MOTOR 1 VEL. (127 V./ 60 HZ.) |
| 613 | 175D2187P001 | POLEA TRANSMISION |
| 615 | 228C1032P001 | BANDA |
| 630 | 189D1598G001 | ENS. TRANSMISION FRENO RTB |
| 876 | 189D1307G001 | ENS. BOMBA SOPORTE (127 V.) |
| 877 | 189D1196P001 | MANGUERA DE DESAGUE INTERIOR |
| 878 | 109B8787P008 | ABRAZADERA (SALIDA A BOMBA) |
| 879 | 143B9488P001 | TUERCA POLEA |
| 880 | 189D1089G001 | PLATAFORMA ENS. |
| 881 | 189D1301G001 | ENSAMBLE CLUTCH MODIF. |
| 882 | 143B9468P001 | CANDADO CLUTCH |
| 883 | 143B9481P001 | TUERCA HEXAGONAL FIJ MOTOR |
| 884 | 189D1084P001 | PROTECTOR TINA |
| 885 | 8911215P019 | TORN. 1/4"-20 B XHW 3/4" S SN |
| 890 | 7610229 | MATERIAL DE FRICCION (ZAPATA) |
| 892 | 323B1088P001 | PERNO DE ARRASTRE MOTOR |