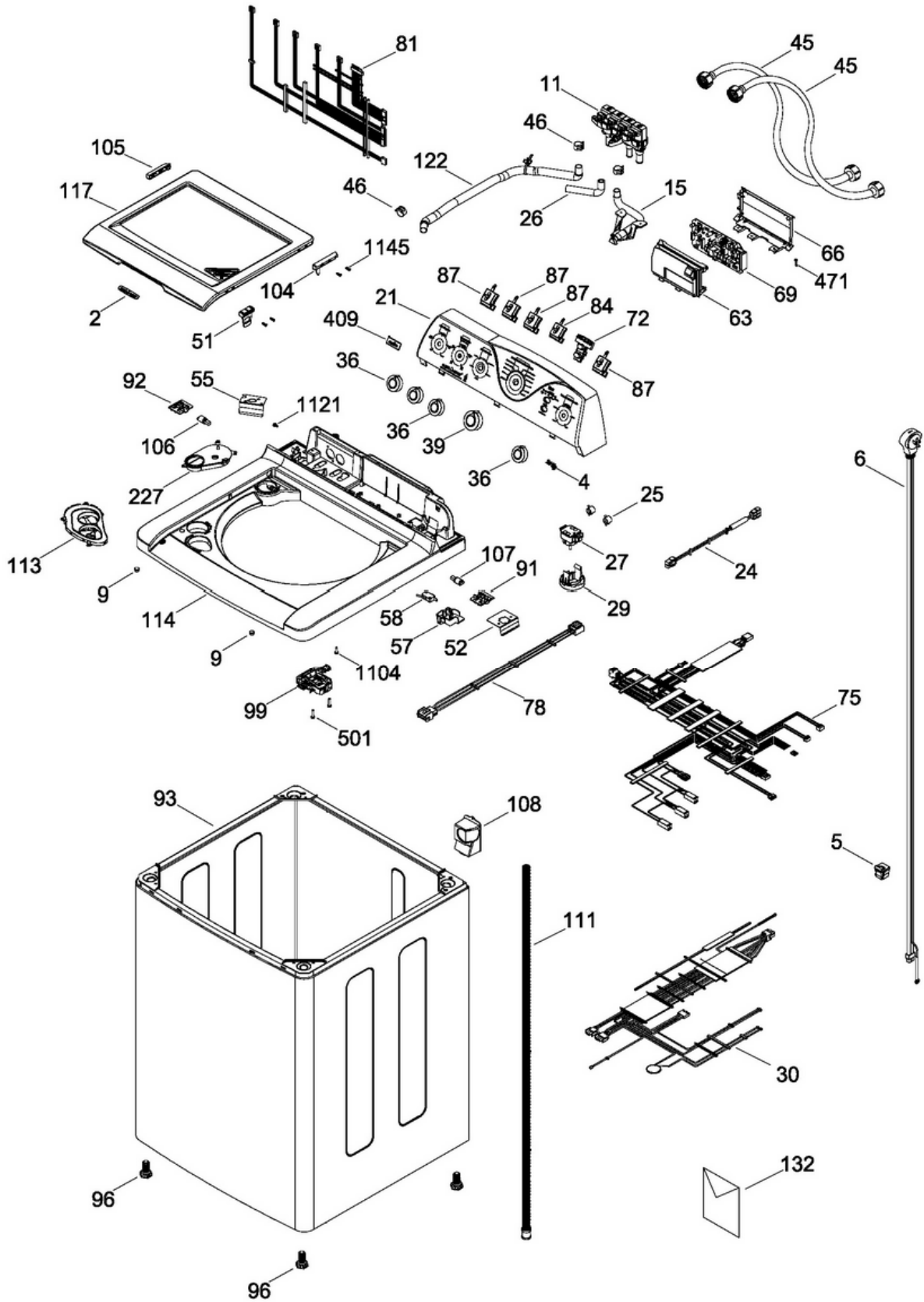
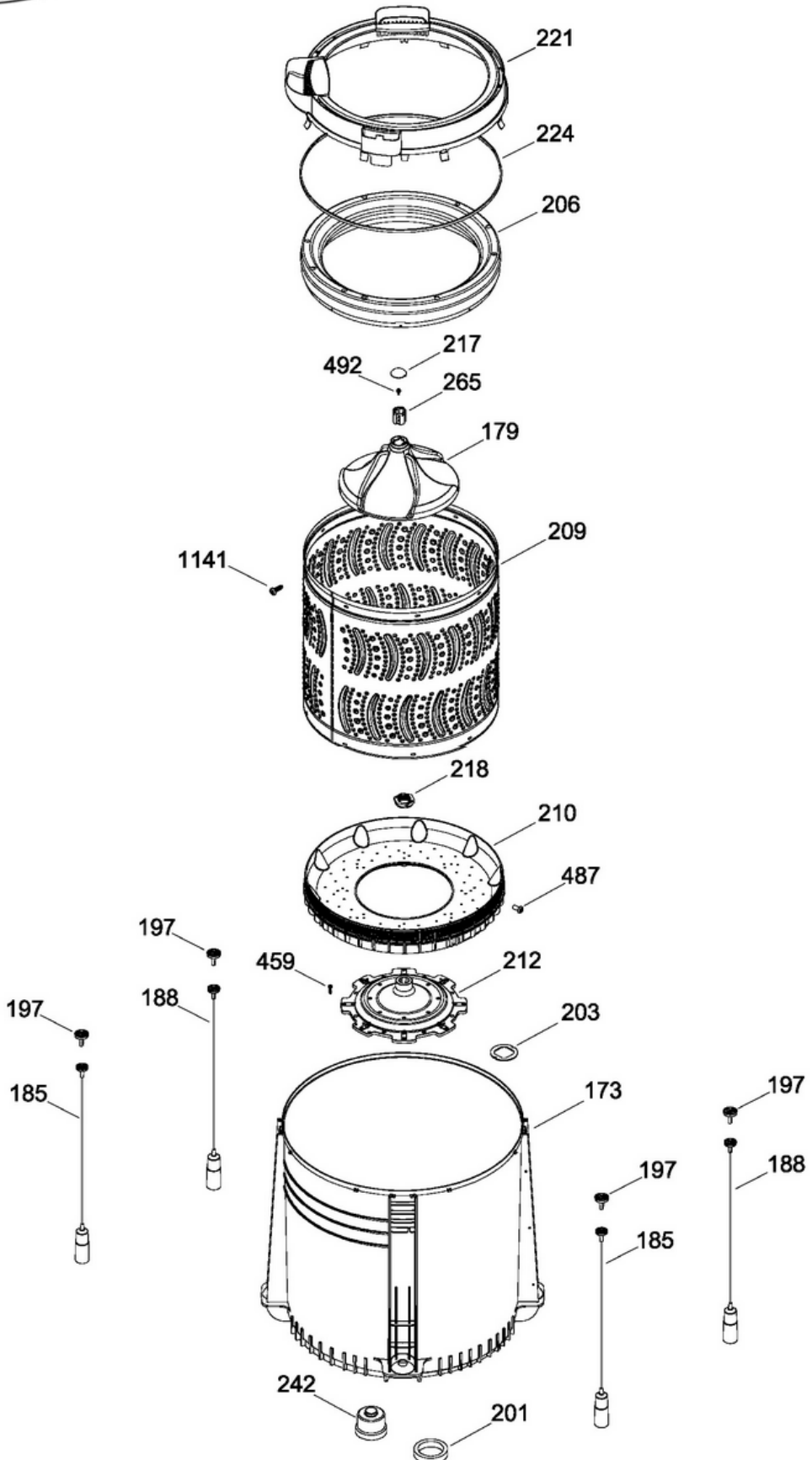


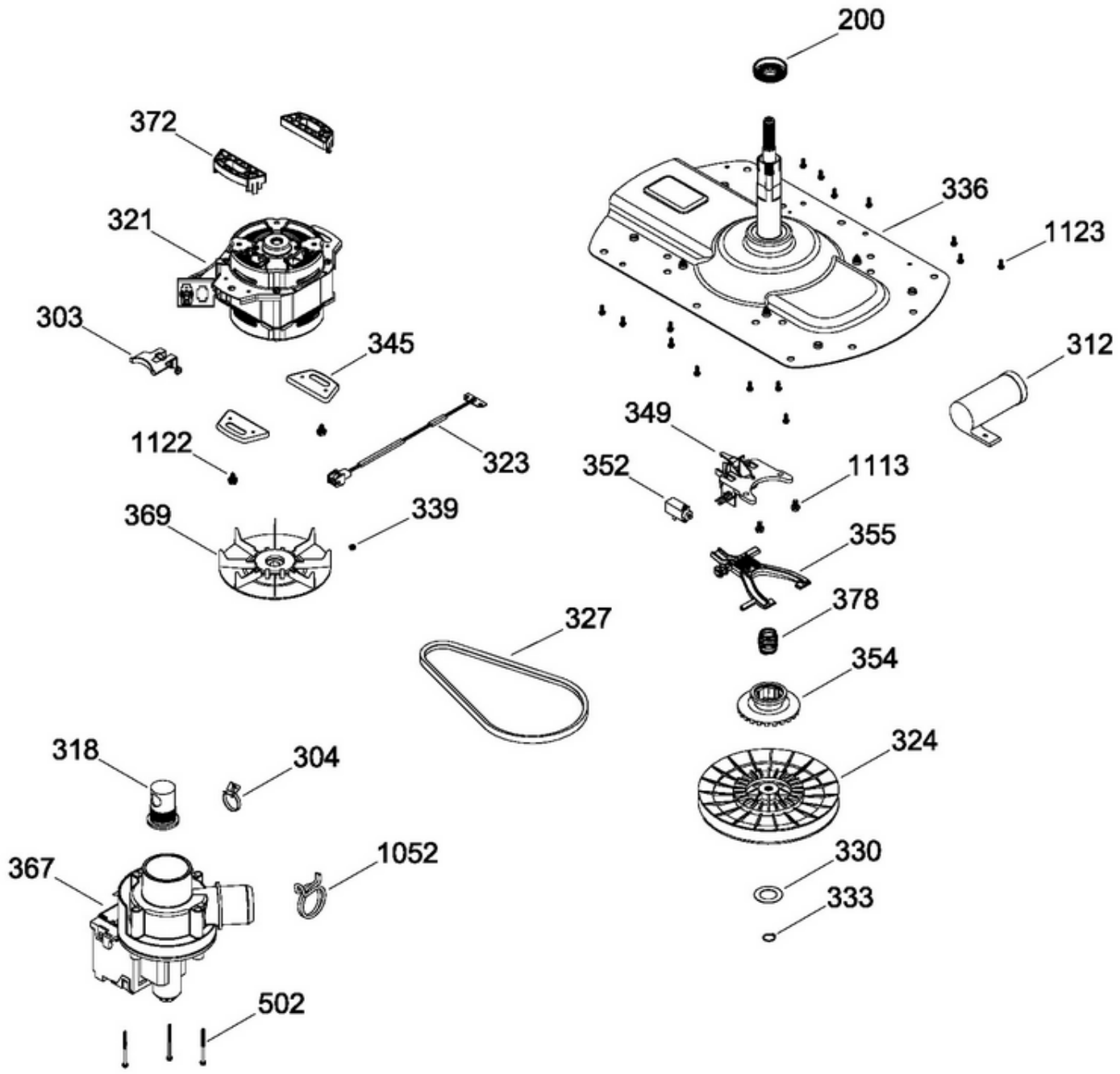
LAVADORA LHS20580ZSBV00



LAVADORA LHS20580ZSBV00



LAVADORA LHS20580ZSBV00





LAVADORA LHS20580ZSBV00

Guía	Componente	Descripción
1	277B1244P001	LOGO MABE
2	277B2063P001	PLACA AQUA SAVER
4	277B1241P009	LOGO CAPACIDAD
5	141A7903P001	RELEVADOR DE ESFUERZOS
6	189D3208P005	CABLE TOMACORRIENTE
9	323B2372P001	BUMPER TAPA CAPELO
11	233D1386P001	VALVULA 4 SOLENOIDES
15	277B1163P001	MANGUERA ENTRADA AGUA BAJA PRESION
21	189D3761G040	COPETE AND HEAT TRANSFER ENSAMBLE
24	189D5307G003	ARNES EXTENS.ION
25	323B1408P001	ABRAZADERA MANGUERA
26	277B1147P002	MANGUERA (SUAVIZANTE)
27	253C1103P001	PRESOSTATO
29	253C1104P001	SOPORTE PRESOSTATO
30	189D5454G010	ARNES GABINETE
36	277B2016G001	ENS PERILLA NIVELES
39	277B2014G005	ENS PERILLA CONTROL
45	233D1368G001	MANGUERA
45	233D2851G001	MANGUERA
46	277B1146P002	ABRAZADERA MANGUERA
51	253C1100P001	ACTUADOR TAPA
52	228C2385P001	SOPORTE METALICO
55	253C1106P001	SOPORTE CONECTOR
57	323B2379P002	SOPORTE SWITCH
58	323B2332P002	MICRO INTERRUPTOR
58	323B2500P006	MICRO INTERRUPTOR
63	189D5318P001	PROTECTOR TARJETA
66	189D5218P001	PROTECTOR BASE TARJETA
72	189D2762G016	BOTON SELECTOR
75	233D1252G004	ARNES CUBIERTA
78	189D5410G003	ARNES PRESOSTATO ID
81	189D3653G023	ARNES SELECTOR
84	228C1256G007	SELECTOR PROGRAMA
87	228C1256G002	SELECTOR 5 PROGRAMAS
91	253C1112P002	SOPORTE DAMPER DERECHO



LAVADORA LHS20580ZSBV00

Guía	Componente	Descripción
92	253C1112P001	SOPORTE DAMPER IZQUIERDO
93	189D2655G009	ENS. GABINETE 10KG CURVO
93	189D2655G011	ENS. GABINETE 10KG CURVO
96	228C1202P001	PATA NIVELADORA
99	228C2426P001	BLOCAPUERTA
104	253C1113P001	BISAGRA DAMPER DERECHA
105	253C1114P001	BISAGRA AMORTIGUADOR IZQUIERDA
106	253C1170P001	AMORTIGUADOR
107	253C1170P004	DAMPER
108	323B2659P001	TAPA MANGUERA
111	253C1066G002	MANGUERA
113	233D1294G001	DESPACHADOR DETERGENTE CLORO
114	233D1487P002	CUBIERTA
114	233D1487P009	CUBIERTA
117	233D1490P004	TAPA
122	233D1497G001	MANGUERA ENS(DETERGENTE-CLORO)
132	233D1397G002	BOLSA ACCESORIOS
173	189D2668P001	TINA 11 Y 13 KGS.AMAZONAS
173	189D2668P003	TINA 11 Y 13 KGS.AMAZONAS
179	233D1179P004	INFUSOR
179	233D1179P005	INFUSOR
185	189D3916G019	VARILLA FRONTAL ENS
188	189D3916G020	VARILLA POSTERIOR ENS
197	228C2372P001	ROTULA
200	228C2451P003	SELLO TINA
201	277B1272P001	GASKET
203	323B2127P002	ARANDELA PLANA NUEVA
206	189D1111G005	ARO DE BALANCE ENS
209	189D5579P004	CANASTA ACERO INOXIDABLE
210	189D5363P002	FONDO PLASTICO
210	189D5363P003	FONDO PLASTICO
210	189D5363P004	FONDO GRIS HELA
212	189D5393P002L	FONDO DE ALUMINIO
217	228C2443P002	TAPA PROPELA
217	228C2443P003	TAPA PROPELA



LAVADORA LHS20580ZSBV00

Guía	Componente	Descripción
218	228C2160P001	TUERCA AMAZ IZQ.
221	233D1753G001	CUBIERTA TINA ENS
224	228C1177P002	SELLO TINA
227	233D1503G001	DESPACHADOR SUAVIZANTE ENS
242	228C2217P001F	TAPON TUBO PRESOSTATO
242	228C2217P001	TAPON TUBO PRESOSTATO
242	228C2217P002	TAPON TUBO PRESOSTATO
265	277B1152P002	INSERTO INFUSOR PARA TORNILLO
303	253C1058P001	SOPORTE TARJETA SENSOR
304	143B9478P001	CINCHO ESPADA (BOMBA Y ARNES)
312	228C1259P003	CAPACITOR
318	228C2136P001	SELLO BOMBA
321	233D1560P004	MOTOR UNIFICADO 110/50
323	253C1142P003	TARJETA SENSOR
324	189D2652P001	POLEA TRANSMISION
327	228C2115P003	BANDA UNIFICADA
330	323B2052P001	ARANDELA DE FRICCION
333	323B2000P001	ANILLO DE RETENCION
336	189D3593G005	ENS. TX. Y SOPORTE
336	233D2720G001	ENS. TX. Y SOPORTE
339	323B1279P002	OPRESOR POLEA
345	323B2167P001	REFUERZO MOTOR
349	189D3938P002	SOPORTE HORQUILLA
352	228C2329P001	TERMOACTUADOR
354	189D2010P001	CAMBIADOR
355	189D3937P002	HORQUILLA CAMBIADOR
367	233D2229P001	BOMBA
369	189D2645G008L	ENS. POLEA MOTOR
372	253C1092P002	GROMMET INF MOTOR
378	228C2367P001	RESORTE CAMBIADOR
459	323B2619P002	TORNILLO FONDO CANASTA
471	8911201P338	TORNILLO
487	323B2433P001	TORNILLO
492	323B1346P001	TORNILLO C/GROMET COPLE
492	323B1346P004	TORNILLO C/GROMET COPLE



LAVADORA LHS20580ZSBV00

Guía	Componente	Descripción
501	323B2092P001	TORNILLO LID LOCK
502	323B2145P001	TORNILLO BOMBA
1052	323B2665P002	ABRAZADERA
1104	8911201P341	TORNILLO 8-18 X 7/16 AB FENIX
1109	277B1126P001	TO 2RNILLO 8-16B FLP .525 S ZN
1113	323B2148P001	TORNILLO SOPORTE
1121	109B3403P052	TORNILLO
1122	323B2094P001	TORNILLO SUJECION
1123	323B2190P002	TORNILLO
1141	323B1193P001	TORNILLO