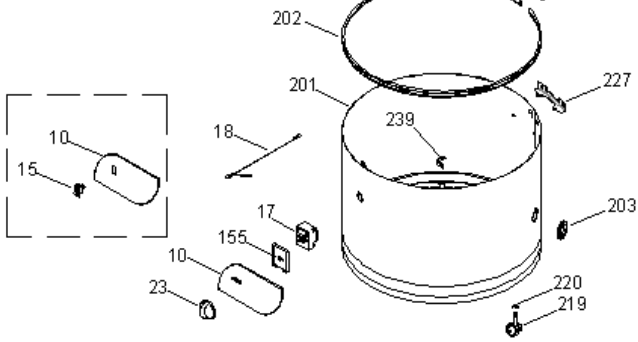
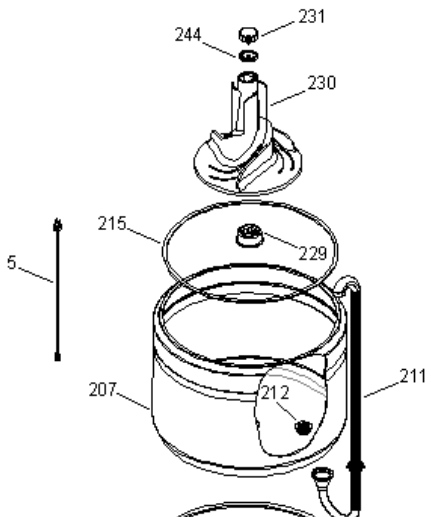
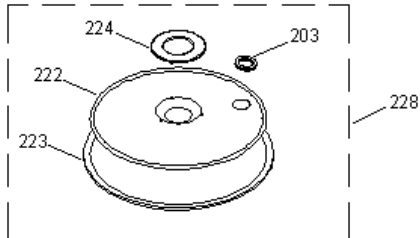
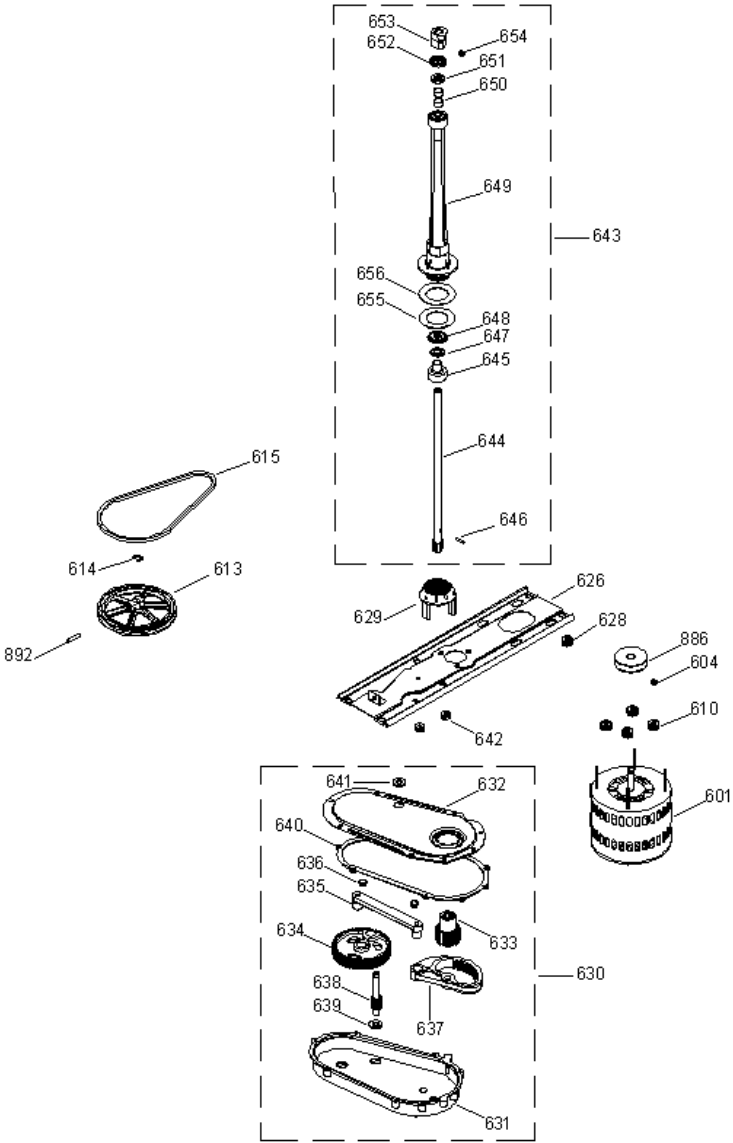


LIC17Z0



LIC17Z0





LIC17Z0

5	322B2500P001	CABLE TOMACORRIENTE (NGO.) (S/P)
10	322B1059P001	PLACA DECORATIVA LIC17Z DESCONTINUADO
15	322B2831P001	INTERRUPTOR DE BALANCIN (S/P)
201	322B3020G001	FALDON S/RODS. SUB-ENS. (AZUL) (S/P)
202	W1198	EMPAQUE FALDA TINA (MORADO)
203	322B2506P001	PROTECTOR MANGUE.TAPA (MORADO) (S/P)
207	322B3015G001	TINA S/RODS. 8 KG ESM. ENS. (S/P)
211	322B3012G001	MANGUERA DESAGÜE ENS. (S/P)
212	227C2573P001	COLADERA DESAGÜE (S/P)
215	322B3049P001	MOLDURA TINA S/RODS. (MORADO) (S/P)
219	322B3010P001	RUEDA POLIPROPILENO (S/P)
220	KW0889P002	CANDADO ANILLO RUEDA (S/P)
222	189D2507G001	TAPA TINA (AZUL) (S/P)
223	322B2503P001	EMPAQUE HULE TAPA (MORADO) (S/P)
224	MW4202P003	ANILLO MANIJA DESCONTINUADO
227	PW6257P001	SOPORTE CANAL TRANSMISION (S/P)
228	188D2507G001	TAPA TINA ENS. (AZUL) (S/P)
229	MW4867P001	GUIA INFERIOR AGITADOR (S/P)
230	322B2659G002	AGITADOR (HELICOIDAL) ENS. (S/P)
231	189D2565G001	TAPON AGITADOR ENS. (BCO.) (S/P)
239	322B2751P002	SOPORTE TRANSMISION (S/P)
244	322B2739P001	EMPAQUE TAPON AGITADOR (S/P)
601	322B2804P001	MOTOR PERF. YP-3612(127V,60HZ) (S/P)
604	322B2746P001	PRISIONERO ALLEN (S/P)
610	322B2655P003	GROMMET MOTOR Y CANAL TRANSM. (S/P)
613	188D2569P001	POLEA TRANSMISION (S/P)
614	780410201	CANDADO "E" (S/P)
615	322B2735P002	BANDA "V" 26-1/2" A 27-7/8" (S/P)
626	188D2613P001	CANAL TRANSMISION (S/P)
628	KW0909P001	GROMMET CANAL Y ESPACIADOR DESCONTINUADO
629	188D2568P001	BASE CUB. FLECHA AGIT. (S/P)
630	M1465	TRANSMISION SUB-ENS.
631	910364500	CONST. CAJA TRANSMISION COMP. (S/P)

632	910367500	TAPA CAJA TRANSM. COMP. ENS. (S/P)
633	910335322	ENGRANE AGITADOR SINTERIZADO (S/P)
634	910395100	ENGRANE CIGÜEÑAL FIERRO GRIS (S/P)
635	910395201	BIELA MAQUINADA ALOJ. TOPE (S/P)
636	910302300	TOPE BIELA (S/P)
637	910395300	SECTOR DENTADO MAQUINADO (S/P)
638	910395500	ENGRANE MOTRIZ (S/P)
639	910302020	RONDANA AJUSTE ENGRANE DESCONTINUADO
640	910302100	EMPAQUE TAPA CAJA TRANSMISION (S/P)
641	910301800	FIELTRO GUARDA POLVO (S/P)
642	KW0884P001	SEPARADOR DESCONTINUADO
643	MW4282G001	CUBIERTA POSTE AGITADOR ENS. DESCONTINUADO
644	MW4731P001	FLECHA AGITADOR (S/P)
645	322B2750P001	DESVIADOR DE AGUA SELLO (S/P)
646	W1079	PERNO DE LAMINA
647	7021018	RONDANA PIÑON (GALVANIZADA)
648	414913	ARANDELA RETEN (TROPICALIZ.)
649	188D2579P001	CUBIERTA FLECHA AGITADOR (S/P)
650	KW0487P001	BUJE DE BRONCE (S/P)
651	322B2738P001	FIELTRO CUB. FLECHA AGITADOR (S/P)
652	322B2737P001	SELLO CUB. FLECHA AGITADOR (S/P)
653	W3450	IMPULSOR DEL AGITADOR
654	322B2746P002	PRISIONERO 5/16" -18 X 5/16" (S/P)
655	322B2708P001	EMPAQUE DE HULE (S/P)
656	408905	SELLO DE CARTON (S/P)
886	227C2571P001	POLEA MOTOR (S/P)
892	322B2733P001	PERNO DE ARRASTRE