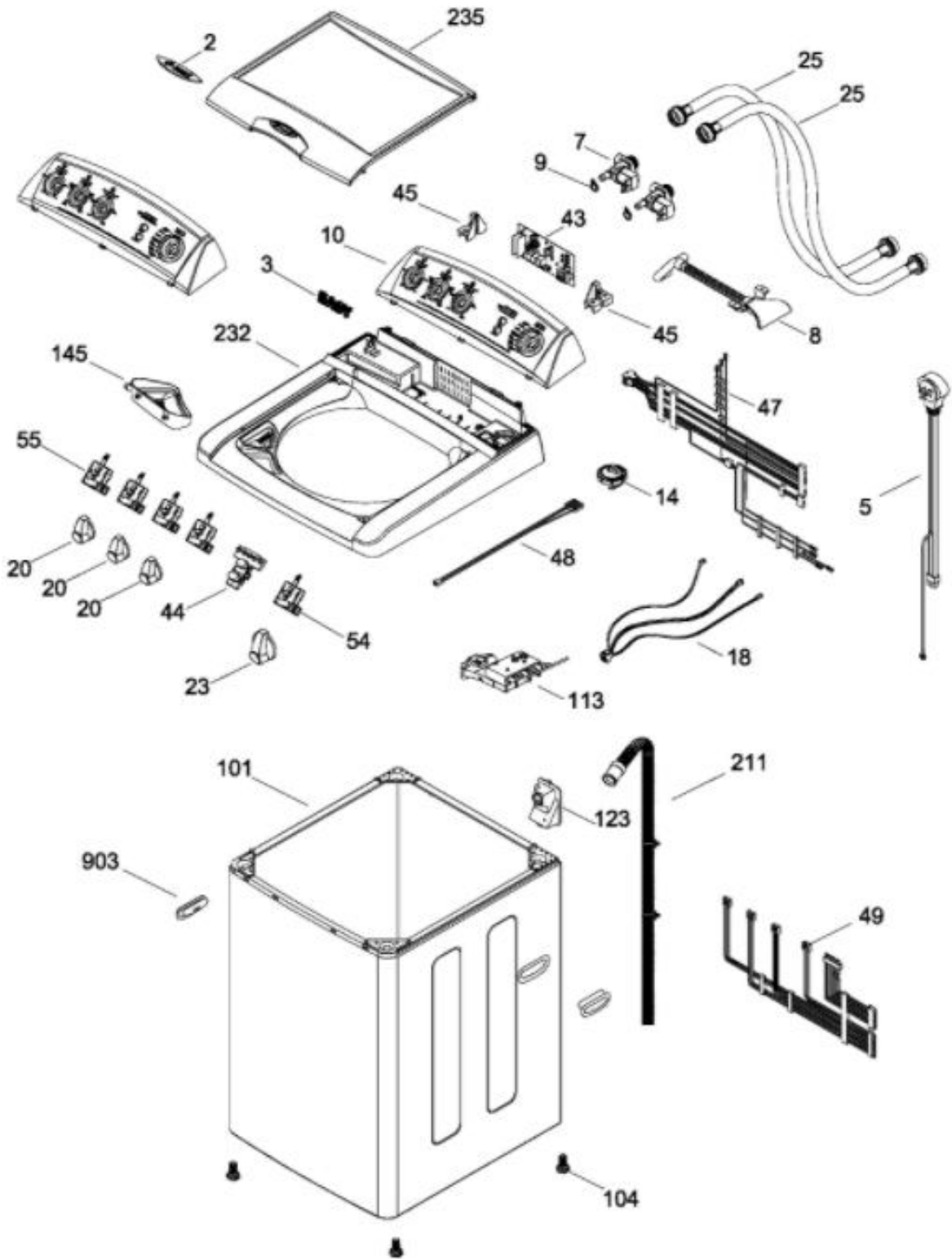


Distribuidor Autorizado

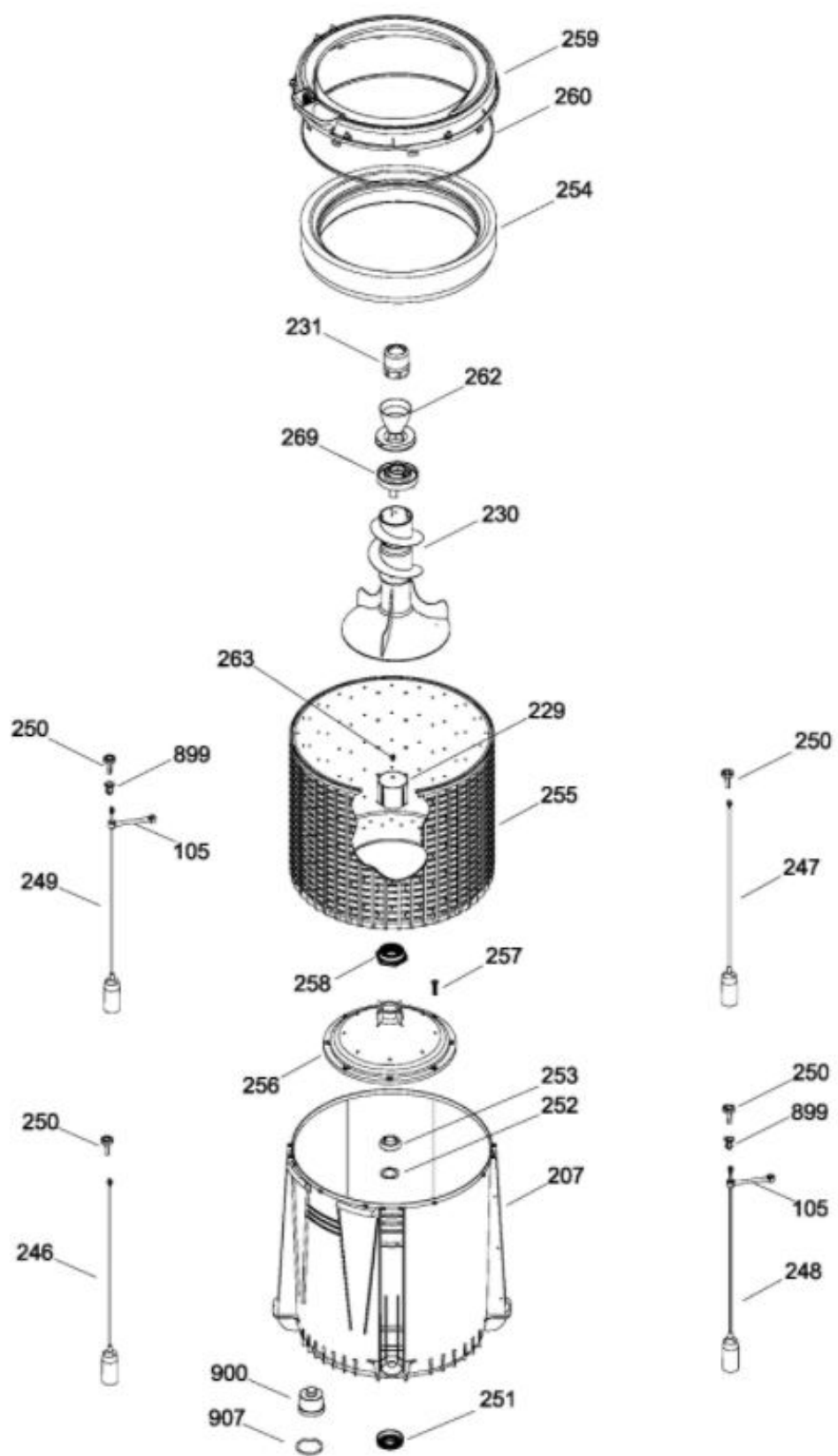
SurteRápido.com

Venta de Refacciones
Electrodomesticas

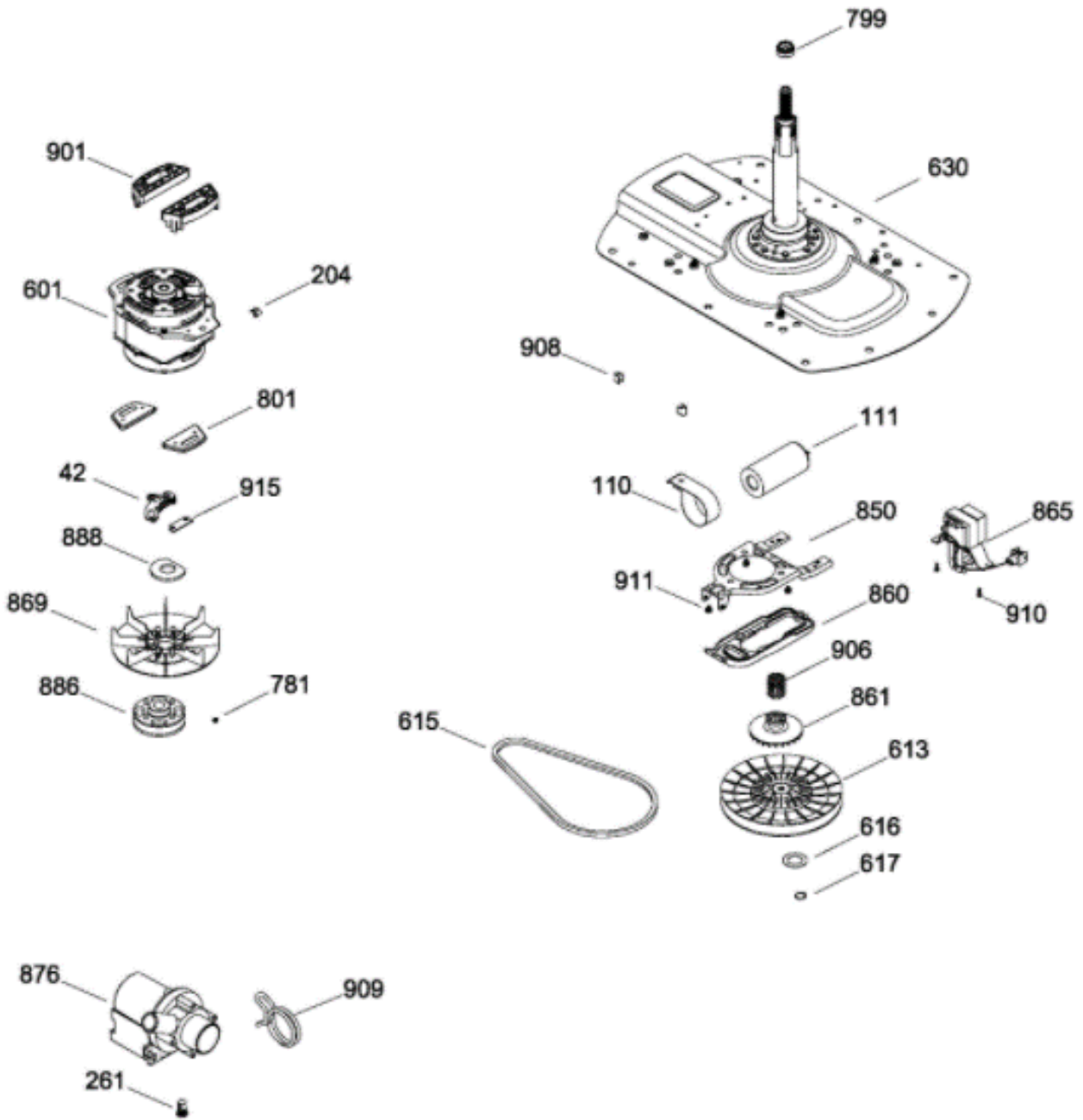
LAVADORA LIE11400PL0



LAVADORA LIE11400PL0



LAVADORA LIE11400PL0





LAVADORA LIE11400PL0

Guía	Refacción	Descripción
2	WW01L00386	LOGO ID SYSTEM
3	WW01L00339	LOGO LETTERING EASY AZUL GRAND
5	WW01F00113	CABLE TOMACORRIENTE
7	WW01F01105	VALVULA
8	WW01L00481	ENTRADA DE AGUA
9	WW01A00002	ABRAZADERA
10	189D3485G009	COPETE HEAT TRANSFER 4 P BISQU
14	WW01F00239	PRESOSTATO ELEC.
14	WW01F00337	PRESOSTATO ELEC.
18	WW01F00026	ARNES GABINETE
20	WW01L00382	ENS. PERILLA ROTATORIA 11KG BI
23	WW01L00384	ENS. PERILLA CONTROL 11 KG BIS
25	WW01L01036	MANGUERA LLENADO NEGRA CON MET
42	WW01A00046	SOPORTE TARJETA
42	WW01F01172	SOPORTE TARJETA
42	WW02F00224	SOPORTE TARJETA
43	WW01F00050	TARJETA CONTROL PERILLAS
44	WW01F00061	BOTON SELECTOR
45	WW01A00049	SOPORTE TARJETA
47	WW01F00094	ARNES CUBIERTA
48	WW01F00021	ARNES LAVADORA PRESOSTAT
49	WW01F00074	ARNES SELECTOR
54	WS01A01627	SELECTOR
55	WW01F00257	SELECTOR
55	WW01F00338	SELECTOR
101	WW01L00084	ENS. GABINETE 10KG CURVO
104	WW01L01040	PATA
104	WW01L00468	PATA
105	WW01A00361	LIGA
110	WW01A00041	ABRAZADERA
110	WW01F00342	ABRAZADERA
111	WW01F00238	CAPACITOR
111	WW01F00342	CAPACITOR
113	WW01L00469	ENS. BLOCAPUERTAS
113	WW01F01553	ENS. BLOCAPUERTAS
123	WW01L00079	TAPA MANGUERA
145	WW01L00294	DEPOSITO DETERGENTE
204	WW01L00338	BOTON MONTAJE



LAVADORA LIE11400PLO

Guía	Refacción	Descripción
207	WW01L00915	TINA 11 Y 13 KGS.AMAZONAS
207	WW01L01119	TINA 11 Y 13 KGS.AMAZONAS
211	WW01L00470	MANGUERA
229	WW01F00837	COPE AGITADOR
229	WW01F00360	COPE AGITADOR
230	WW01L00439	ENS. AGITADOR
231	WW01L00431	TAPA FSD
232	WW01L00493	CUBIERTA
235	WW01L00091	ENS. TAPA EASY
246	WW01F00945	ENS. VARILLA
247	WW01F00946	ENS. VARILLA
247	WW01L00499	ENS. VARILLA
248	WW01F00947	ENS. VARILLA
249	WW01F00948	ENS. VARILLA
249	WW01L00499	ENS. VARILLA
250	WW01F00323	ROTULA SUPERIOR
251	WS01L09224	SELLO TINA
252	WW01A00080	ARANDELA
253	WW01A00047	ANILLO CONICO NVO.AMA.NAU.
254	WW01L00430	ENS. ANILLO BALANCEO
254	WW01L01503	ENS. ANILLO BALANCEO
255	WW01L00023	CANASTA SUPER GDE
256	WW01L00036	FONDO CANASTA
257	WW01A00099	TORNILLO FONDO CANASTA
258	WW01A00048	TUERCA AMAZ IZO.
259	WW01F00066	CUBIERTA TINA
259	WW01F00066	CUBIERTA TINA
260	WW01L00467	SELLO CUBIERTA TINA
261	WW01L00295	SELLO BOMBA
262	189D1626P002	COPA DESP. SUAVIZANTE
262	WW01L00432	COPA DESP. SUAVIZANTE
262	WW01L00432	COPA SUAVIZANTE AZUL
263	WW01A00064	TORNILLO C/GROMET COPLE
263	WW01A00064	TORNILLO C/GROMET COPLE
269	WW01L00433	DOSIFICADOR DE SUAVIZANTE MAQU
601	WW01F00106	MOTOR
601	WW01F00331	MOTOR
601	WW01F01173	ENS. MOTOR



LAVADORA LIE11400PLO

Guía	Refacción	Descripción
613	WW01F00043	POLEA TRANSMISION
615	WR01F02389	BANDA 3L V AMAZONAS
615	WW01F00345	BANDA 3L V AMAZONAS
615	WW01F00345	BANDA UNIFICADA
616	WW01A00071	ARANDELA DE FRICCION
617	WW01A00069	ANILLO DE RETENCION
630	WW01A00100	TRANS.VS.SPTE.PRINC-BAL 11-13K
781	WW01F00272	OPRESOR POLEA
799	WW01L00337	SELLO 5/8 X .85 X .25
801	WW01L00355	REFUERZO MOTOR
850	WS01A00611	SOPORTE SONELOIDE
860	WW01A00024	BRAZO CAMBIADOR
861	WW01F00015	CAMBIADOR
861	WW02F00796	CAMBIADOR
865	WW01F00932	SOLENOIDE
869	WW01F00042	VENTILADOR MOTOR
869	WW01F00357	VENTILADOR MOTOR
876	WW01F00116	BOMBA
886	WW01F01353	POLEA MOTOR
888	WW01A00072	ANILLO MAGNETO
899	WW01A00050	BUJE
900	WW01L00287	TAPON CAJA PRESOSTATO
901	WW01F00256	ESPACIADOR MOTOR
901	WW01F00256	ESPACIADOR MOTOR
903	WW01L00291	JALADERA
906	WW01A00078	RESORTE
907	WW01F00277	O-RING
908	WW01A00079	CLIP TAPON PRESOSTATO
909	WW01A00104	ABRAZADERA BOMBA
910	323B2137P001	TORNILLO AMAZONA (SOLENOIDE)
910	WW01A00106	TORNILLO AMAZONA (SOLENOIDE)
910	WW01A00097	TORNILLO VALVULA
911	WW01A00082	TORNILLO SOPORTE
915	WW01F00362	TARJETA SENSOR
915	WW01F01172	TARJETA SENSOR
915	WW02F00224	TARJETA SENSOR