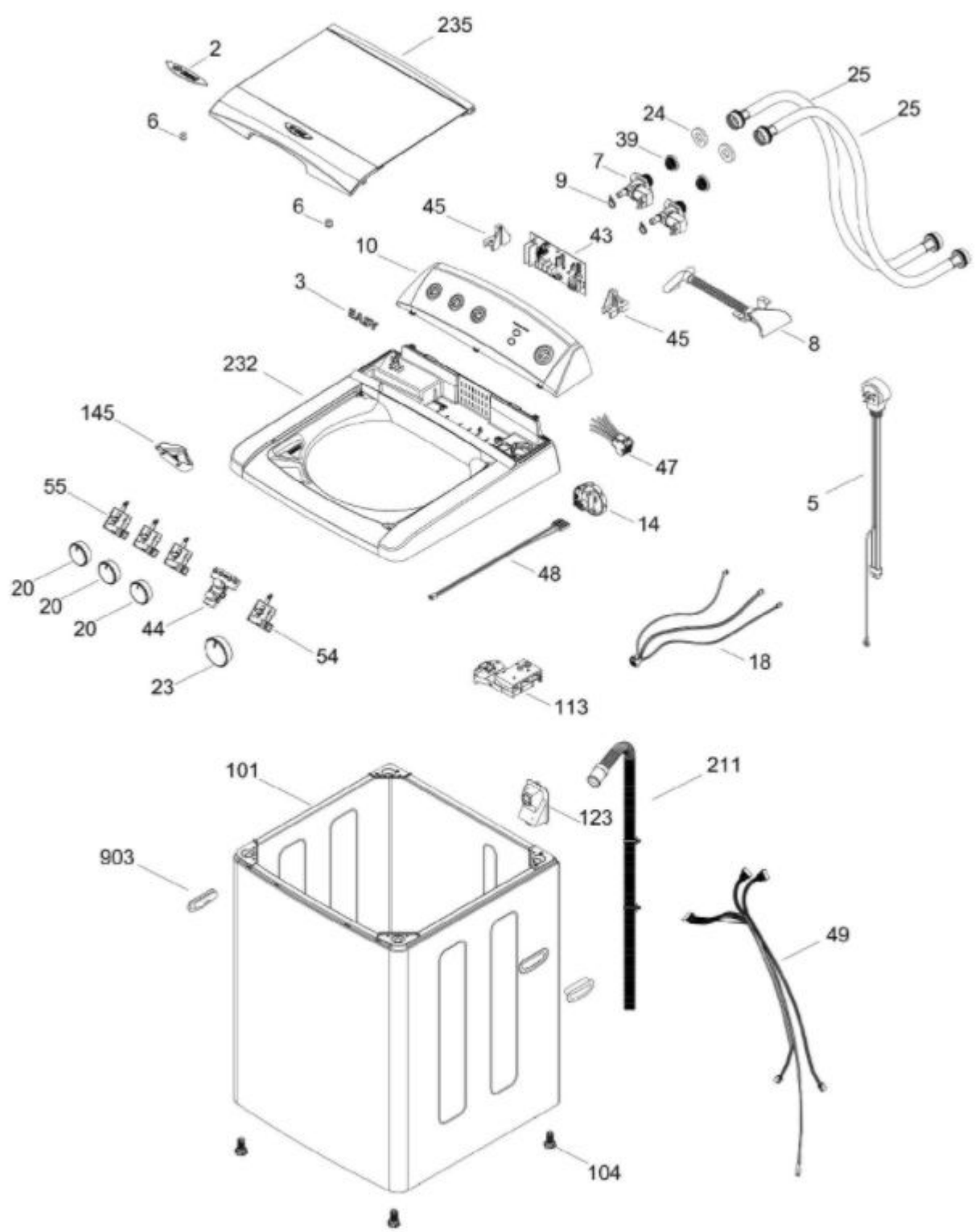


# LAVADORA LIE13400PB0

COPETE / BACKSPASH  
 GABINETE Y CUBIERTA / CABINET & COVER

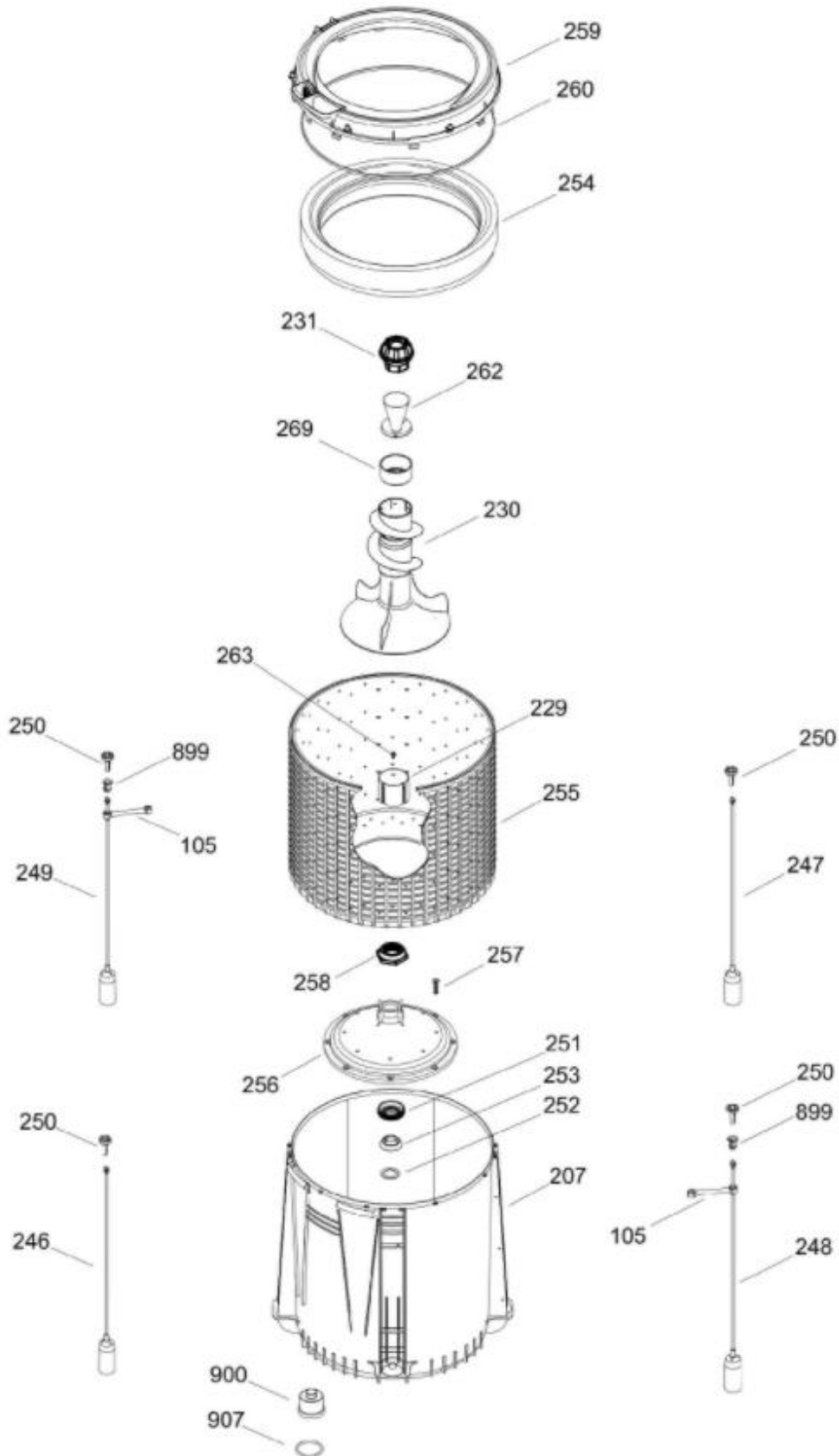
LIE13400PB0



# LAVADORA LIE13400PB0

PARTES PARA TINA / TUB, BASKET & AGITATOR

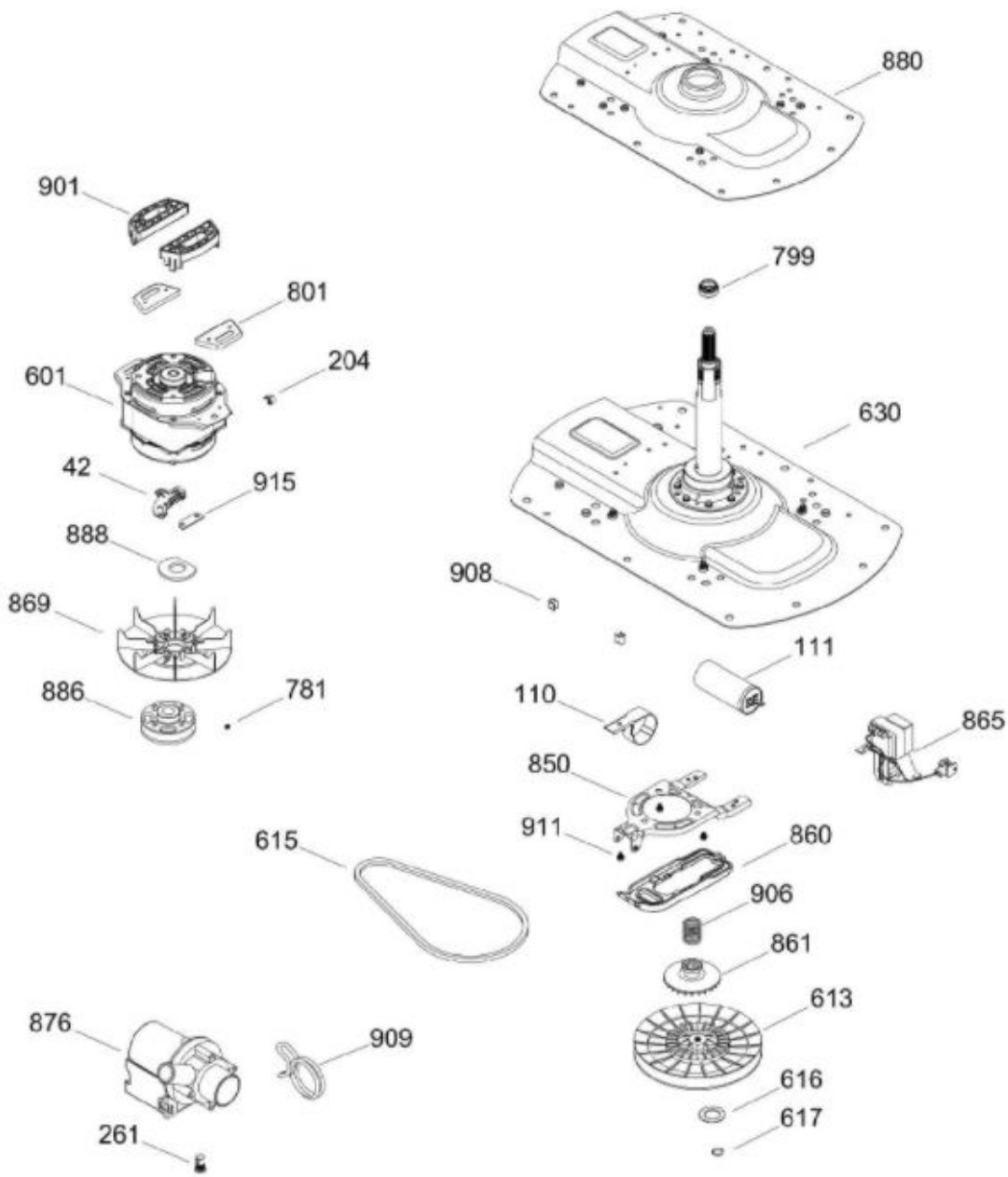
LIE13400PB0



# LAVADORA LIE13400PB0

SISTEMA MOTRIZ / PUMP & DRIVE COMPONENTS

LIE13400PB0





# LAVADORA LIE13400PB0

Guía	Refacción	Descripción
2	WW01L00386	LOGO ID SYSTEM
3	323B2344P001	LOGO LETTERING EASY CROMO
5	WW01F00113	CABLE TOMACORRIENTE
6	WW01A00087	BUMPER TAPA CAPELO
7	WW01F01105	VALVULA
8	WW01L00481	ENTRADA DE AGUA
9	WW01A00002	ABRAZADERA
10	189D3485G007	COPETE HEAT TRANSFER ENS
14	WW01F00907	PRESOSTATO ELECTRONICO
18	WW01F00026	ARNES GABINETE
20	WW01L00371	ENS. PERILLA ROTATORIA
20	WW01L00373	ENS. PERILLA ROTATORIA
23	WW01L00374	ENS. PERILLA CONTROL
23	WW01L00376	ENS. PERILLA CONTROL
24	WW01L00336	EMPAQUE MANGUERA
25	WW01L01036	MANGUERA LLENADO NEGRA CON MET
39	WW01L00334	FILTRO MANGUERA
42	WW01A00046	SOPORTE TARJETA
42	WW01F01172	SOPORTE TARJETA
42	WW02F00224	SOPORTE TARJETA
43	WW01F00049	TARJETA CONTROL PERILLAS
44	WW01F00984	BOTON SELECTOR
44	WW01F01503	BOTON SELECTOR
45	WW01A00049	SOPORTE TARJETA
47	WW01F00094	ARNES CUBIERTA
48	WW01F00021	ARNES LAVADORA PRESOSTAT
49	WW01F00074	ARNES SELECTOR
54	WW01F00927	SELECTOR PROG.ALTO TORQUE CTRL
55	WW01F00928	SELECTOR PROG.ALTO TORQUE ROT
101	WW01L00989	ENS. GABINETE 10KG CURVO
101	WW01L00498	ENS. GABINETE 10KG CURVO
104	WW01L01040	PATA
104	WW01L00468	PATA
105	WW01A00361	LIGA
110	WW01A00042	ABRAZADERA CAPACITOR ARCOTRONI
111	WW01F00824	CAPACITOR ARTRONICS BULGARIA
113	WW01A00103	BLOCAPUERTAS ENS C/SLIDER



# LAVADORA LIE13400PB0

Guía	Refacción	Descripción
113	WW01F01553	BLOCAPUERTAS ENS C/SLIDER
123	WW01L00079	TAPA MANGUERA
204	WW01L00338	BOTON MONTAJE
207	WW01L00915	TINA 11 Y 13 KGS.AMAZONAS
207	WW01L01119	TINA 11 Y 13 KGS.AMAZONAS
211	WW01L00470	MANGUERA
229	WW01F00837	COPLA AGITADOR
229	WW01F00360	COPLA AGITADOR
230	WW01L00941	ENS. AGITADOR
231	WW01L00956	ENS. DESPACHADOR SUAVIZANTE
232	189D2990G001	CUBIERTA C/DESP ENS BCA
235	WW01L01068	TAPA ENS.
246	WW01F00950	ENS. VARILLA
247	WW01F00951	ENS. VARILLA
248	WW01F00952	ENS. VARILLA
249	WW01F00953	ENS. VARILLA
250	WW01F00323	ROTULA SUPERIOR
251	WS01L09224	SELLO TINA
252	WW01A00080	ARANDELA
253	WW01A00047	ANILLO CONICO NVO.AMA.NAU.
254	WW01L00948	ENS. ARO BALANCE
254	WW01L01503	ENS. ARO BALANCE
255	WW01L00044	CANASTA 12 KG
255	WW01L00044	CANASTA 12 KG
256	WW01L00036	FONDO CANASTA
257	WW01A00099	TORNILLO FONDO CANASTA
258	WW01A00048	TUERCA AMAZ IZO.
259	WW01F00068	CUBIERTA TINA
260	WW01L00467	SELLO CUBIERTA TINA
261	WW01L00295	SELLO BOMBA
262	WW01L00483	COPA SUAVIZANTE NVA. AZUL META
263	WW01A00064	TORNILLO C/GROMET COPLA
263	WW01A00064	TORNILLO C/GROMET COPLA
269	WW01F00352	RETARDANTE SUAVIZANTE
601	WW01F00106	MOTOR
601	WW01F00331	MOTOR
601	WW01F01173	ENS. MOTOR



# LAVADORA LIE13400PB0

Guía	Refacción	Descripción
601	WW01F00331	MOTOR 127V/60HZ
601	WW01F01173	ENS. MOTOR
601	WW01F00331	MOTOR 127V/60HZ
601	WW01F01173	ENS. MOTOR
601	WW01F00331	MOTOR 127V/60HZ
613	WW01F00043	POLEA TRANSMISION
615	WR01F02389	BANDA 3L V AMAZONAS
615	WW01F00345	BANDA 3L V AMAZONAS
615	WW01F00345	BANDA UNIFICADA
616	WW01A00071	ARANDELA DE FRICCION
617	WW01A00069	ANILLO DE RETENCION
618	WW01L00502	ANILLO RETENSOR AGITADOR
630	WW01A00100	TRANS.VS.SPTE.PRINC-BAL 11-13K
781	WW01F00272	OPRESOR POLEA
799	WW01L00337	SELLO 5/8 X .85 X .25
850	WS01A00611	SOPORTE SONELOIDE
860	WW01A00024	BRAZO CAMBIADOR
861	WW01F00015	CAMBIADOR
861	WW02F00796	CAMBIADOR
865	WW01F00932	SOLENOIDE
869	WW01F00042	VENTILADOR MOTOR
869	WW01F00357	VENTILADOR MOTOR
876	WW01F00116	BOMBA
880	WS01A00612	SOPORTE PRINCIPAL
886	WW01F01353	POLEA MOTOR
888	WW01A00072	ANILLO MAGNETO
899	WW01A00050	BUJE
900	WW01L00287	TAPON CAJA PRESOSTATO
901	WW01F00256	ESPACIADOR MOTOR
901	WW01F00256	ESPACIADOR MOTOR
903	WW01L00291	JALADERA
906	WW01A00078	RESORTE
907	WW01F00277	O-RING
908	WW01A00079	CLIP TAPON PRESOSTATO
909	WW01A00104	ABRAZADERA BOMBA
911	WW01A00082	TORNILLO SOPORTE
915	WW01F00362	TARJETA SENSOR



# LAVADORA LIE13400PB0

Guía	Refacción	Descripción
915	WW01F01172	TARJETA SENSOR
915	WW02F00224	TARJETA SENSOR