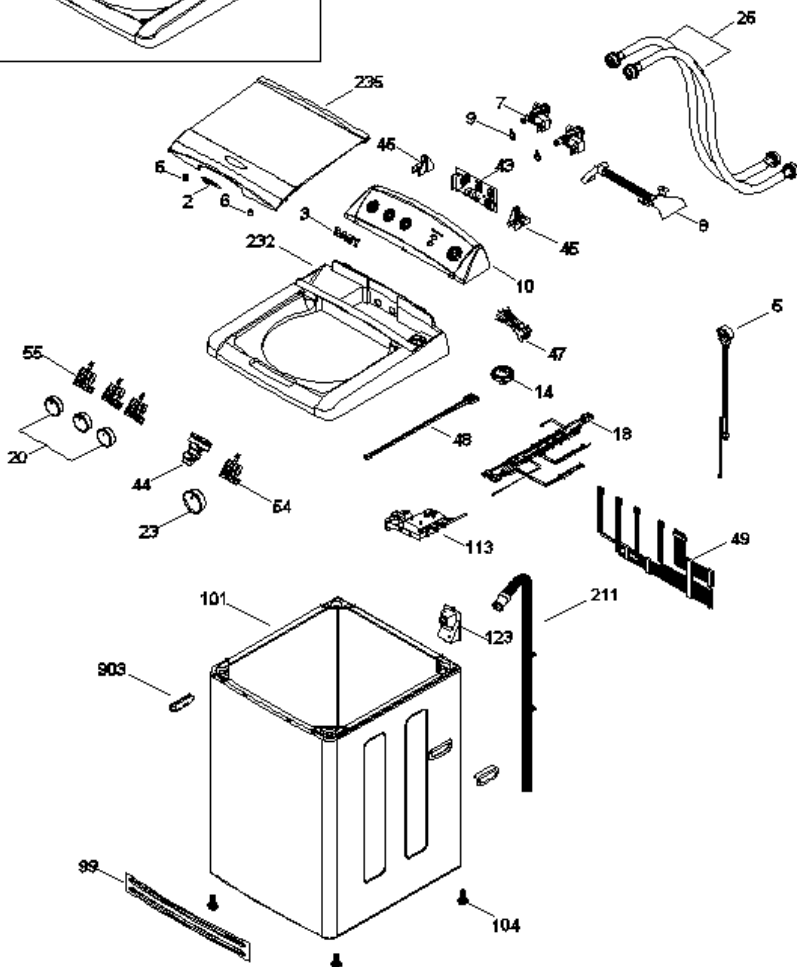
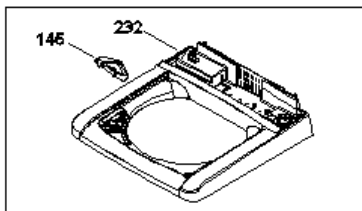


Distribuidor Autorizado

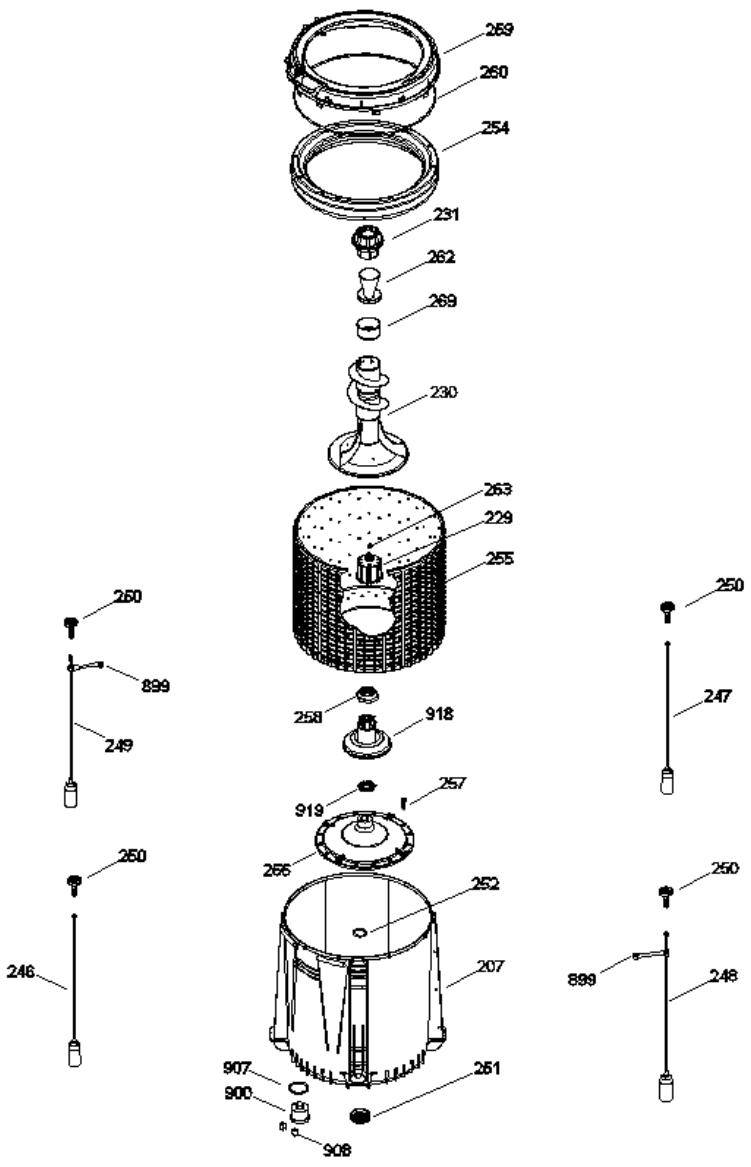
SurteRápido.com

Venta de Refacciones  
Electrodomesticas

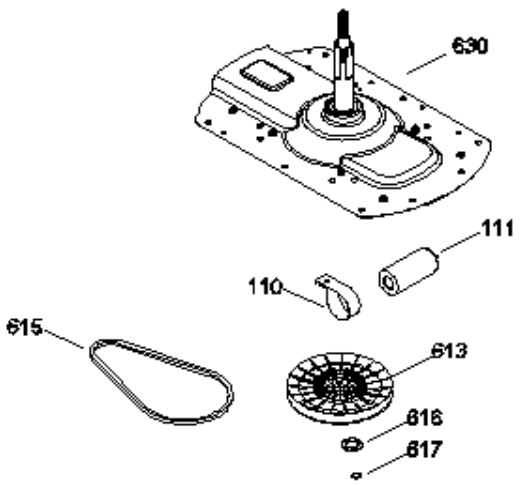
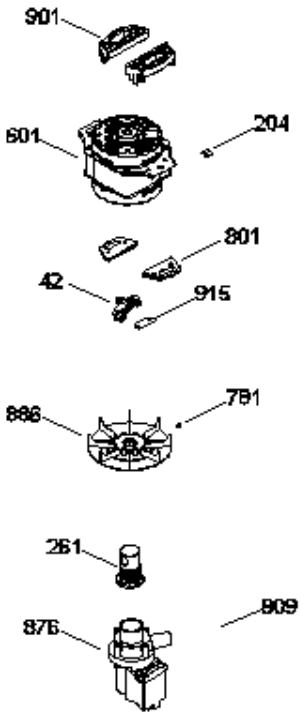
LIE13400PB1



LIE13400PB1



LIE13400PB1





LIE13400PB1

2	323B2371P001	LOGO ID SYSTEM GOTEADO (S/P)
3	323B1409P001	LOGO LETTERING EASY CROMO GRAN (S/P)
5	189D3208P002	TOMACORRIENTE AMAZ. NUEVO (S/P)
6	323B2372P001	BUMPER TAPA CAPELO (S/P)
7	323B2149P002	VALVULA DE ENTRADA 1-1 AMAZ SS (S/P)
8	323B2198P004	MANGUERA ENTRADA DE AGUA (S/P)
9	109B8787P014	ABRAZADERA ENTRADA DE AGUA (S/P)
10	189D3485G007	COPETE HEAT TRANSFER ENS (S/P)
14	228C1175P001	PRESOSTATO ELECTRONICO EMYCOL (S/P)
18	189D3633G001	ARNES GABINETE 10,12,13,14 ID (S/P)
20	323B2342G002	PERILLA ROTATORIA BCA ENS (S/P)
23	323B2343G002	PERILLA CONTROL BLANCA ENS (S/P)
25	141A6384G058	MANGUERA LLENADO AGUA CALIENTE (S/P)
42	228C2110P001	SOPORTE TARJETA SENSOR MOTOR (S/P)
43	8183632	TARJETA CONTROL 13KG ID LOW CO
44	189D2762G005	TARJETA T AZUL (S/P)
45	228C2199P001	SOPORTE TARJETA PERILLAS (S/P)
47	189D3639G002	ARNES CUBIERTA ID 12,13KG 4P (S/P)
48	189D2101G003	ARNES PRESOSTATO ELECTRONICO (S/P)
49	7191018	ARNES SELECTORES 4 PERILLAS A (S/P)
54	8102140	SELECTOR 8 POSICIONES
55	8102139	SELECTOR DE PROGRAMA 5 POSICI
99	323B2464G001	REFUERZO GABINETE (S/P)
101	189D2655G001	GABINETE CURVO ENSAMBLE BCO (S/P)
104	228C2081P001	PATA NIVELADORA (S/P)
110	228C1155P001	ABRAZADERA CAPACITOR WEG 15,4 (S/P)
111	7201121	CAPACITOR WEG 45 MF
113	7122107	BLOCAPUERTAS ENS C/SLIDER
123	189D2637P001	TAPA MANGUERRA DE SALIDA (S/P)
204	323B1365P001	BOTON DE MONTAJE ARNES MOTOR (S/P)
207	8102668	TINA 10 Y 12 KG AMAZ (S/P)
211	228C2206G001	MANGUERA DE DRENADO (S/P)
229	189D3624P001	COPLA AGITADOR (S/P)

230	189D3746G002	ENSAMBLE AGITADOR 13KG. (S/P)
231	323B2302G002	DESPACHADOR SUAVIZANTE ENS
232	189D2990G001	CUBIERTA C/DESP ENS BCA (S/P)
235	189D3464G001	TAPA TIPO CAPELO BCA ENS (S/P)
246	189D1970G013	SUSP 13K FRON IZQ S/L VERDE (S/P)
247	189D1970G014	SUSP 13K POST DER S/L AZUL (S/P)
248	189D1970G009	SUSP 13K FRON DER C/L VERDE (S/P)
249	8101974	SUSP 13K POST IZQ C/L AZUL
250	7011043	ROTULA SUPERIOR
251	8102113	SELLO TINA
252	323B2127P001	ARANDELA FONDO CANASTA (S/P)
254	189D1111G002	ENSAMBLE ARO BALANCE 10 KG (S/P)
255	7451018	CANASTA 12KG. OLY 2000
256	189D3533P001	FONDO CANASTA (S/P)
257	8911238P041	TORNILLO FONDO CANASTA (S/P)
258	8102160	TUERCA TINA
259	7192055	CUBIERTA TINA
260	228C1177P002	SELLO MECANICO 11 Y 13 KG (S/P)
261	228C2136P001	SELLO BOMBA (S/P)
262	323B2299P002	COPA SUAVIZANTE NVA. AZUL META (S/P)
263	323B1346P001	TORNILLO C/GROMET COPLA (S/P)
269	323B2300P001C	RETARDANTE SUAVIZANTE (S/P)
601	8102643	MOTOR BALEROS 1/4
613	8102652	POLEA TRANSMISION
615	8102120	BANDA 3L V
616	323B2052P001	ARANDELA DE FRICCION (S/P)
617	323B2000P001	ANILLO DE RETENCION (S/P)
630	8153593	ENS. TX CON SOPORTE
781	323B1279P002	OPRESOR POLEA (S/P)
801	323B2167P001	REFUERZO MOTOR AMAZ (S/P)
876	8102748	BOMBA DRENADO
886	189D2645G002	POLEA MOTOR ENS (S/P)
899	228C1169G003	BUJE-LIGA 11-13 KG ENS (S/P)
900	228C2089P001	TAPON CAJA PRESOSTATO TINA (S/P)
901	228C2112P001	ESPACIADOR MOTOR (S/P)
903	228C2118P001	JALADERA PARA GABINETE (S/P)
907	323B2098P001	SELLO TAPON TINA (S/P)
908	323B2099P001	CLIP TAPON PRESOSTATO (S/P)

909	323B1390P001	ABRAZADERA BOMBA DOBLE HILO (S/P)
915	228C2076P003	TARJETA SENSOR MOTOR (S/P)
918	189D3590G001	ENSAMBLE FLOTADOR
919	228C2315P001	EMBRAGUE FIJO (S/P)