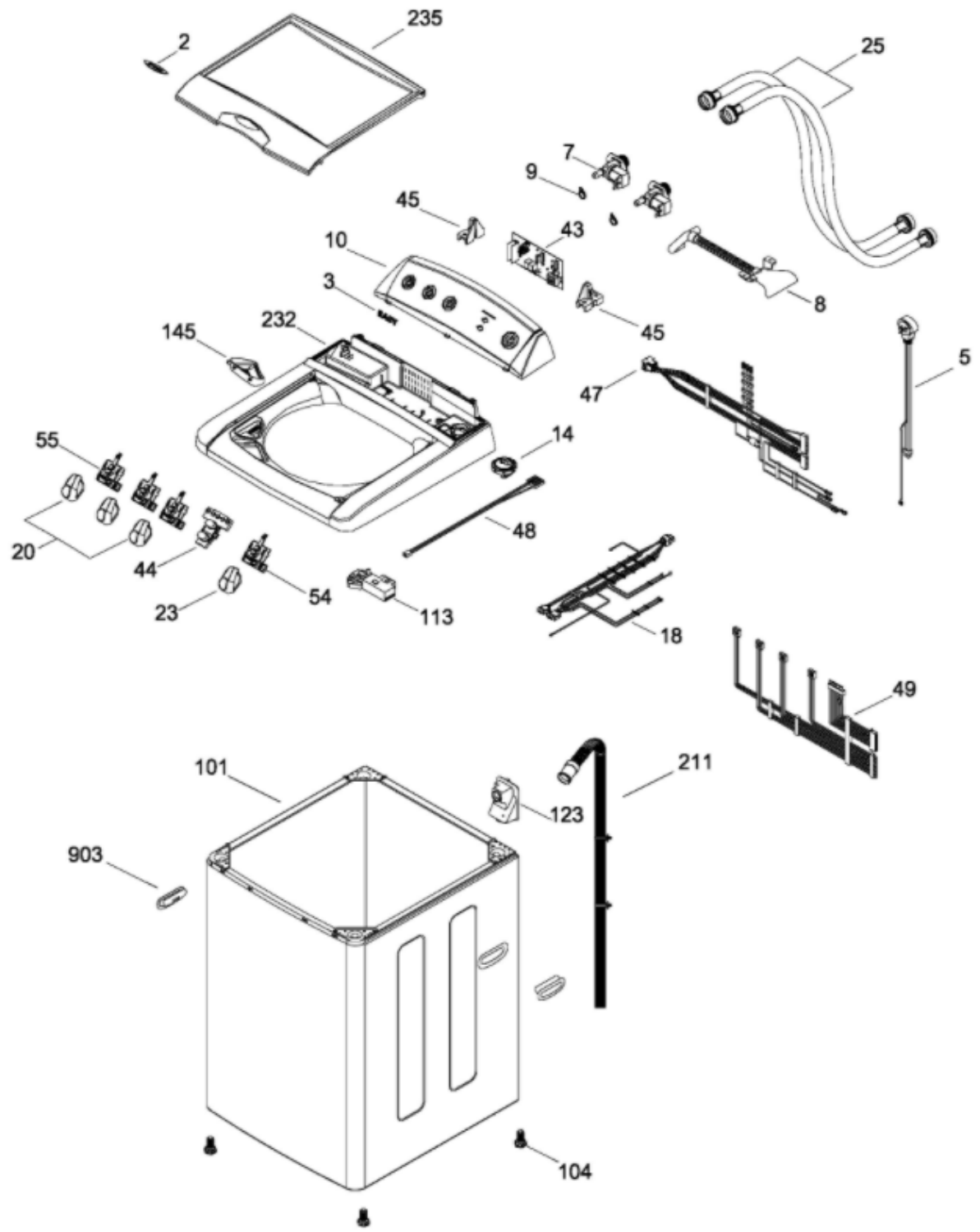


LAVADORA LIE13410PL0

COPETE / BACKSPLASH
 GABINETE Y CUBIERTA / CABINET & COVER

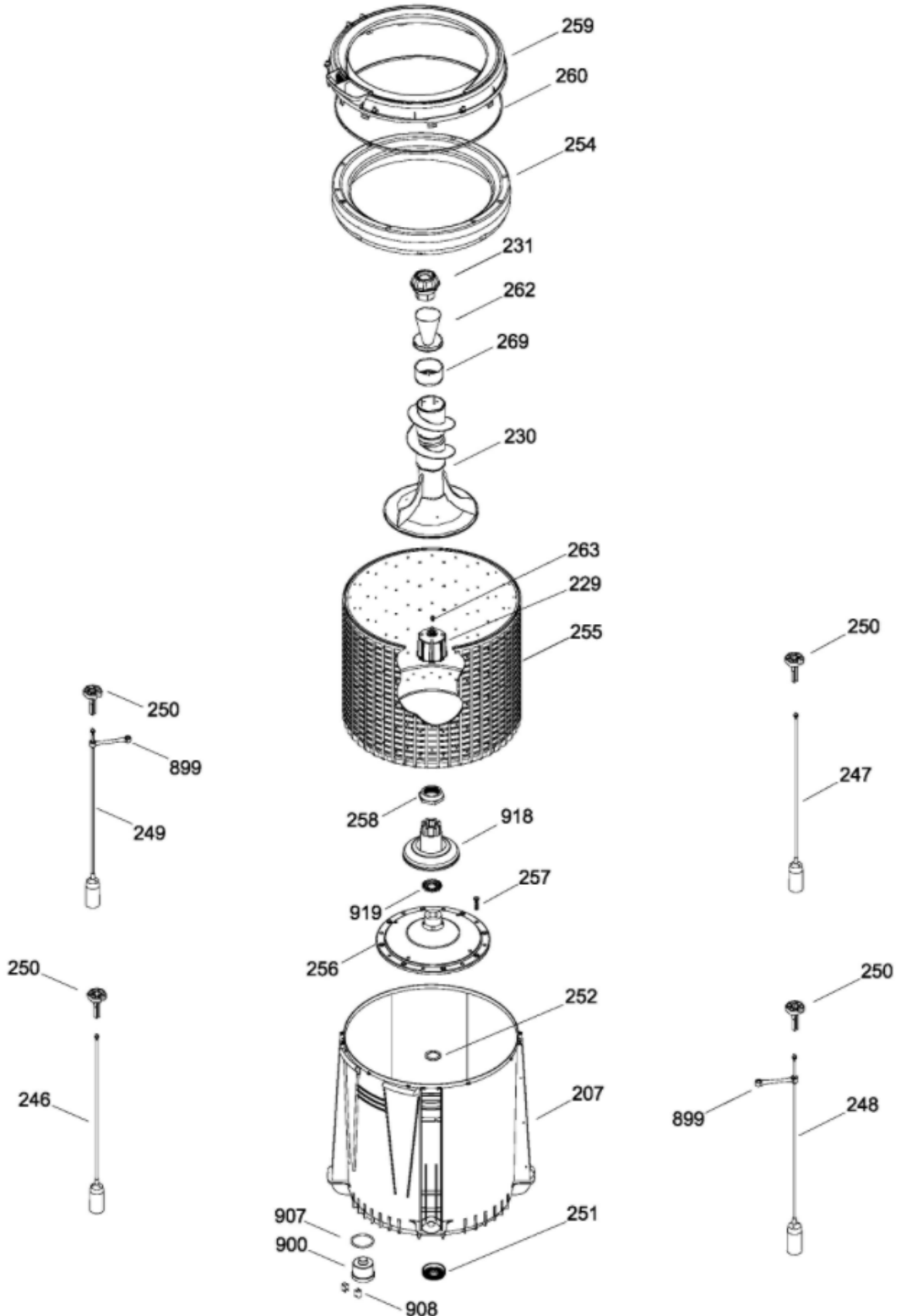
LIE13410PL0



LAVADORA LIE13410PLO

PARTES PARA TINA / TUB, BASKET & AGITATOR

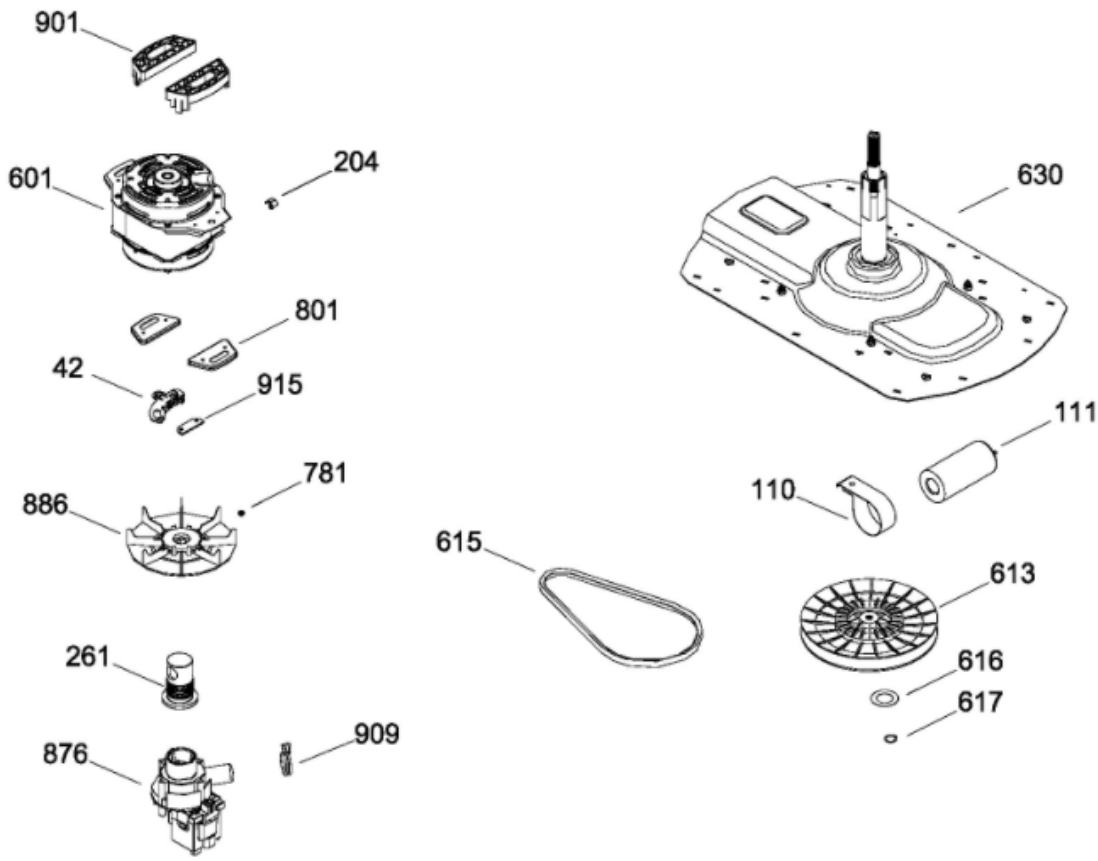
LIE13410PLO



LAVADORA LIE13410PL0

SISTEMA MOTRIZ / PUMP & DRIVE COMPONENTS

LIE13410PL0





LAVADORA LIE13410PL0

Guía	Refacción	Descripción
2	WW01L00386	LOGO ID SYSTEM
3	WW01A00364	LOGO LETTERING EASY CROMO GRAN
5	WW01F00113	CABLE TOMACORRIENTE
7	WW01F01107	VALVULA
7	WW01F00364	VALVULA
8	WW01L00481	ENTRADA DE AGUA
9	WW01A00002	ABRAZADERA
10	WW01L00537	COPETE HEAT TRANSF LIE13400PL
14	WW01F00239	PRESOSTATO ELEC.
14	WW01F00337	PRESOSTATO ELEC.
18	WW01F00155	ARNES GABINETE
20	WW01L00382	ENS. PERILLA ROTATORIA 11KG BI
23	WW01L00384	ENS. PERILLA CONTROL 11 KG BIS
25	228C1203G001	MANGUERA DE LLENADO HO
42	WW01A00046	SOPORTE TARJETA
42	WW01F01172	SOPORTE TARJETA
42	WW02F00224	SOPORTE TARJETA
43	WW01F00144	TARJETA CONTROL PERILLAS
44	WW01F00984	BOTON SELECTOR
44	WW01F01503	BOTON SELECTOR
45	WW01A00049	SOPORTE TARJETA
47	WW01F00807	ARNES CUBIERTA
48	WW01F00021	ARNES LAVADORA PRESOSTAT
49	WW01F00074	ARNES SELECTOR
54	WS01A01627	SELECTOR
55	WW01F00257	SELECTOR
55	WW01F00338	SELECTOR
101	WW01L00084	ENS. GABINETE 10KG CURVO
104	WW01L01040	PATA
104	WW01L00468	PATA
110	WW01A00041	ABRAZADERA
110	WW01F00342	ABRAZADERA
111	WW01F00238	CAPACITOR
111	WW01F00342	CAPACITOR
113	WW01A00427	ENS. BLOCAPUERTAS
123	WW01L00079	TAPA MANGUERA
145	WW01L00294	DEPOSITO DETERGENTE



LAVADORA LIE13410PLO

Guía	Refacción	Descripción
204	WW01L00338	BOTON MONTAJE
207	WW01L00915	TINA 11 Y 13 KGS.AMAZONAS
207	WW01L01119	TINA 11 Y 13 KGS.AMAZONAS
211	WW01L00470	MANGUERA
229	WW01F00836	COPLA AGITADOR
229	WW01F00360	COPLA AGITADOR
230	WW01L00451	ENS. AGITADOR
231	WW01L00956	ENS. DESPACHADOR SUAVIZANTE
232	WW01L00493	CUBIERTA
235	WW01L00091	ENS. TAPA EASY
246	WW01F00950	ENS. VARILLA
247	WW01F00951	ENS. VARILLA
248	WW01F00952	ENS. VARILLA
249	WW01F00953	ENS. VARILLA
250	WW01F00323	ROTULA SUPERIOR
251	WS01L09224	SELLO TINA
252	WW01A00080	ARANDELA
254	WW01L00430	ENS. ANILLO BALANCEO
254	WW01L01503	ENS. ANILLO BALANCEO
255	WW01L00044	CANASTA 12 KG
255	WW01L00044	CANASTA 12 KG
256	WW01L01015	FONDO CANASTA
256	WW01A00572	FONDO CANASTA
257	WW01A00099	TORNILLO FONDO CANASTA
258	WW01A00048	TUERCA AMAZ IZQ.
259	WW01F00068	CUBIERTA TINA
260	WW01L00467	SELLO CUBIERTA TINA
261	WW01L00295	SELLO BOMBA
262	WW01L00483	COPA SUAVIZANTE
263	WW01A00064	TORNILLO C/GROMET COPLA
263	WW01A00064	TORNILLO C/GROMET COPLA
269	WW01F00352	RETARDANTE SUAVIZANTE
601	WW01F00106	MOTOR
601	WW01F00331	MOTOR
601	WW01F01173	ENS. MOTOR
601	WW01F00331	MOTOR 127V/60HZ
601	WW01F01173	ENS. MOTOR



LAVADORA LIE13410PLO

Guía	Refacción	Descripción
613	WW01F00043	POLEA TRANSMISION
615	WW01F00345	BANDA UNIFICADA
615	WW01F00345	BANDA UNIFICADA
616	WW01A00071	ARANDELA DE FRICCION
617	WW01A00069	ANILLO DE RETENCION
630	WW01F00134	SOPORTE LOW CO
781	WW01F00272	OPRESOR POLEA
801	WW01L00355	REFUERZO MOTOR
876	WW01F00200	BOMBA DE DESAGUE
886	WW01F00039	ENS. POLEA MOTOR
886	WW01F00357	ENS. POLEA MOTOR
899	WW01A00102	BUJE-LIGA
900	WW01L00287	TAPON CAJA PRESOSTATO
901	WW01F00256	ESPACIADOR MOTOR
901	WW01F00256	ESPACIADOR MOTOR
903	WW01L00291	JALADERA
907	WW01F00277	O-RING
908	WW01A00079	CLIP TAPON PRESOSTATO
909	WW01A00104	ABRAZADERA BOMBA
915	WW01F00362	TARJETA SENSOR
915	WW01F01172	TARJETA SENSOR
915	WW02F00224	TARJETA SENSOR
918	WW01L00157	ENS. FLOTADOR
919	WW01A00353	EMBRAGUE FIJO