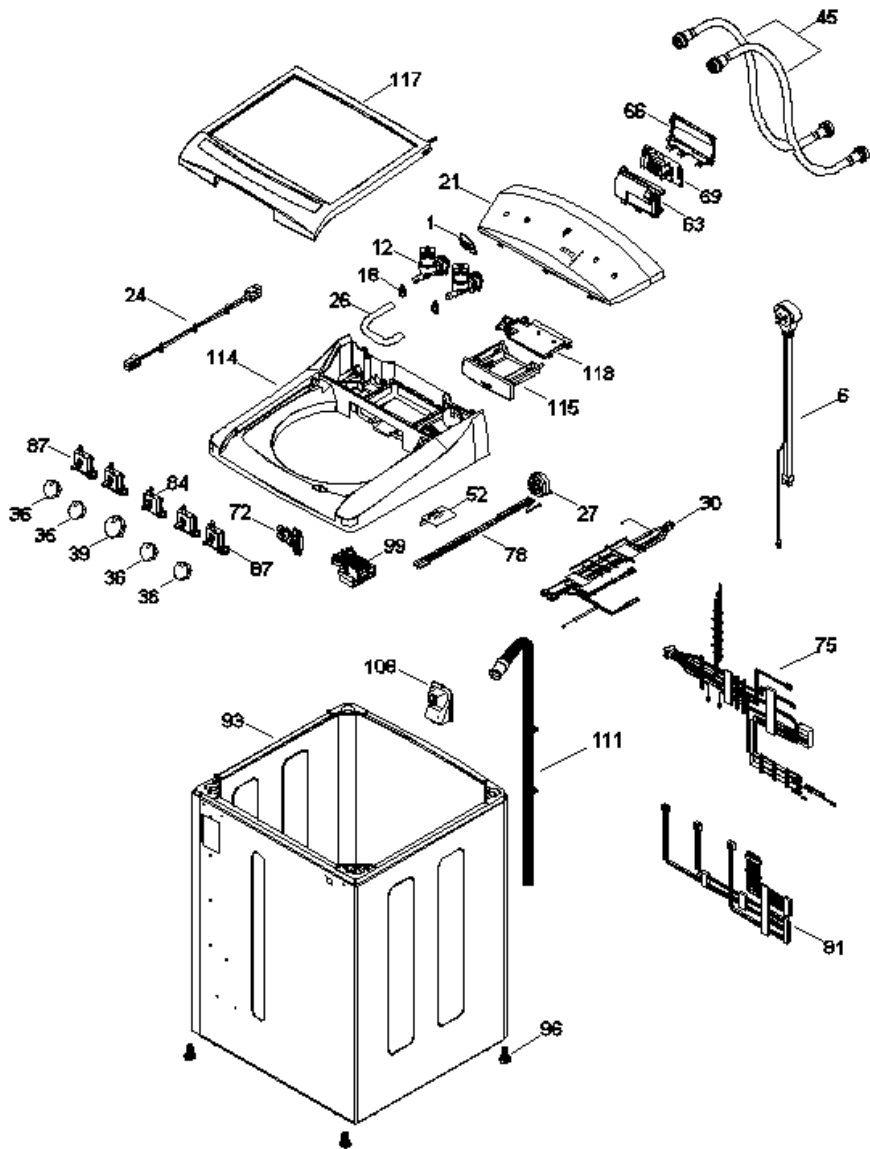
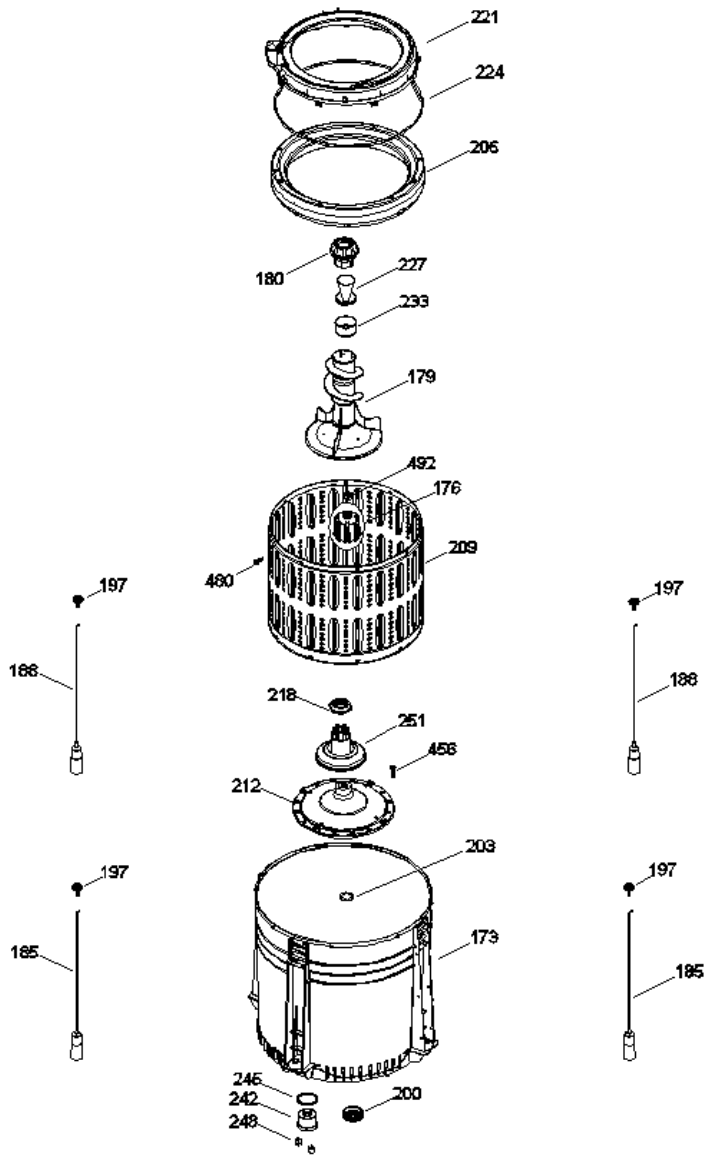
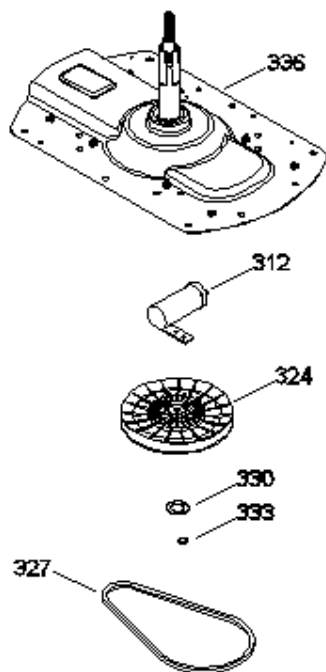
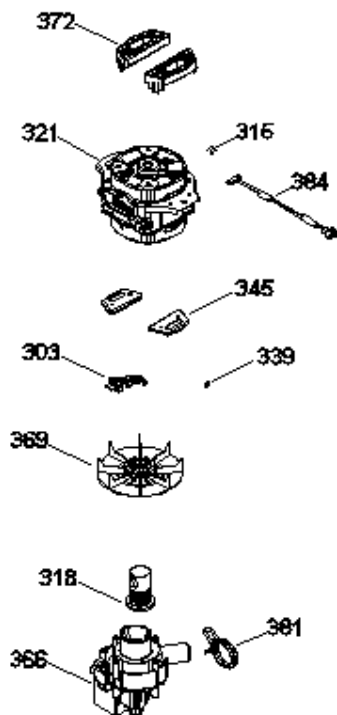


LIE1450PBB0



LIE14500PBB0







LIE14500PBB0

| | | |
|-----|---------------|--------------------------------|
| 1 | 323B2569P001 | LOGO EASY |
| 6 | 189D3208P001 | CABLE TOMACORRIENTE UL |
| 12 | 323B1472P003 | UNIVALVULA |
| 18 | 109B8787P014 | ABRAZADERA ENTRADA DE AGUA |
| 21 | 189D4313G009 | COPETE HEAT TRANSFER |
| 24 | 189D5307G002 | ARNES EXTENSION TOMACORRIENTE |
| 26 | 323B2366P001 | MANGUERA DESPACHADOR |
| 27 | 228C2084P006 | PRESOSTATO MECANICO AMAZONA |
| 30 | 189D3983G002 | ARNES GABINETE |
| 36 | 323B2342G002 | PERILLA ROTATORIA BCA ENS |
| 39 | 323B2343G002 | PERILLA CONTROL BLANCA ENS |
| 45 | 175D4683G001 | MANGUERA LLENADO |
| 52 | 228C2385P001 | SOPORTE METALICO DEL CONECTOR |
| 63 | 189D5318P001 | PROTECTOR TARJETA |
| 66 | 189D5218P001 | BASE PROTECTOR TARJETA |
| 69 | T12G04R05 | TARJETA TNT LOW COST |
| 72 | 189D5033G001 | TARJETA BOTONES |
| 75 | 189D3832G009 | ARNES CUBIERTA |
| 78 | 189D3652G002 | ARNES PRESOSTATO |
| 81 | 189D3653G011 | ARNES SELECTOR |
| 84 | 228C1256G005 | SELECTOR 8 POSICIONES CERRADO |
| 87 | 228C1256G002 | SELECTOR DE 5 POSICIONES |
| 93 | 189D2655G011 | GABINETE C/SLOT ENS |
| 96 | 228C2081P001 | PATA NIVELADORA |
| 99 | 228C2107P002N | BLOCAPUERTAS C/SLIDER |
| 108 | 189D2637P001 | TAPA MANGUERRA DE SALIDA |
| 111 | 228C2206G001 | MANGUERA DE DRENADO |
| 114 | 189D3891P001F | CUBIERTA LYRA 27" FABR |
| 115 | 189D2255G016 | ENS. DESPACHADOR SIN SERIGRAFI |
| 117 | 189D3844G001 | ENSAMBLE TAPA 27" BLANCA |
| 118 | 189D3114G011 | ENSAMBLE REGADERA-VALVULA PARA |
| 173 | 189D2668P001 | TINA 10 Y 12 KG AMAZ |
| 176 | 189D3624P001F | COPELE AGITADOR LOW COS |

| | | |
|-----|---------------|--------------------------------|
| 179 | 189D3746G002 | AGITADOR 13KG. ENSAMBLE |
| 180 | 323B2302G003 | DESPACHADOR SUAVIZANTE ENS |
| 185 | 189D3916G005 | ENS. SUSP. FRONTAL 11 LYRA, 13 |
| 188 | 189D3916G006 | ENS. SUSP. POST. 11 LYRA, 13 A |
| 197 | 228C2372P001 | ROTULA |
| 200 | 228C2113P001 | SELLO TINA |
| 203 | 323B2127P001 | ARANDELA FONDO CANASTA |
| 206 | 189D1111G002 | ARO BALANCE ENS |
| 209 | 189D2050P001 | CANASTA 12KG. OLY 2000 |
| 212 | 189D3533P001C | FONDO CANASTA FLOTADOR |
| 218 | 228C2160P001 | TUERCA TINA |
| 221 | 189D2790P001 | CUBIERTA TINA |
| 224 | 228C1177P002 | SELLO CUBIERTA TINA |
| 227 | 323B2299P002C | COPA SUAVIZANTE AZUL META COMP |
| 233 | 323B2300P001C | RETARDANTE SUAVIZANTE |
| 242 | 228C2089P001 | TAPON CAJA PRESOSTATO TINA |
| 245 | 323B2098P001 | SELLO TAPON TINA |
| 248 | 323B2099P001 | CLIP TAPON PRESOSTATO |
| 251 | 189D3590G001 | ENSAMBLE FLOTADOR |
| 303 | 228C2110P001 | SOPORTE TARJETA SENSOR MOTOR |
| 303 | 228C2110P001 | SOPORTE TARJETA SENSOR MOTOR |
| 312 | 228C1259P001 | CAPACITOR GLOBE |
| 315 | 323B1365P001 | BOTON DE MONTAJE ARNES MOTOR |
| 318 | 228C2136P001 | SELLO BOMBA |
| 321 | 189D4153P002 | MOTOR 1/3 127V,60 HZ |
| 324 | 189D2652P001 | POLEA TRANSMISION |
| 327 | 228C2115P003 | BANDA UNIFICADA |
| 330 | 323B2052P001 | ARANDELA DE FRICCION |
| 333 | 323B2000P001 | ANILLO DE RETENCION |
| 336 | 189D3593G001 | TRANSMISION CON SOPORTES ENS |
| 339 | 323B1279P002 | OPRESOR POLEA |
| 345 | 323B2167P001 | REFUERZO MOTOR AMAZ |
| 366 | 189D4101P005 | BOMBA DRENADO 127V/60HZ |
| 369 | 189D2645G002C | POLEA MOTOR AMAZONA ENS |
| 372 | 228C2112P001 | ESPACIADOR MOTOR |
| 381 | 323B1390P001 | ABRAZADERA BOMBA DOBLE HILO |
| 381 | 323B1390P001 | ABRAZADERA BOMBA DOBLE HILO |
| 384 | 228C2076P003 | TARJETA SENSOR MOTOR |

| | | |
|-----|--------------|-------------------------|
| 456 | 8911238P041 | TORNILLO FONDO CANASTA |
| 480 | 323B1193P001 | TORNILLO HUB VS CANASTA |
| 492 | 323B1346P001 | TORNILLO C/GROMET COPLE |