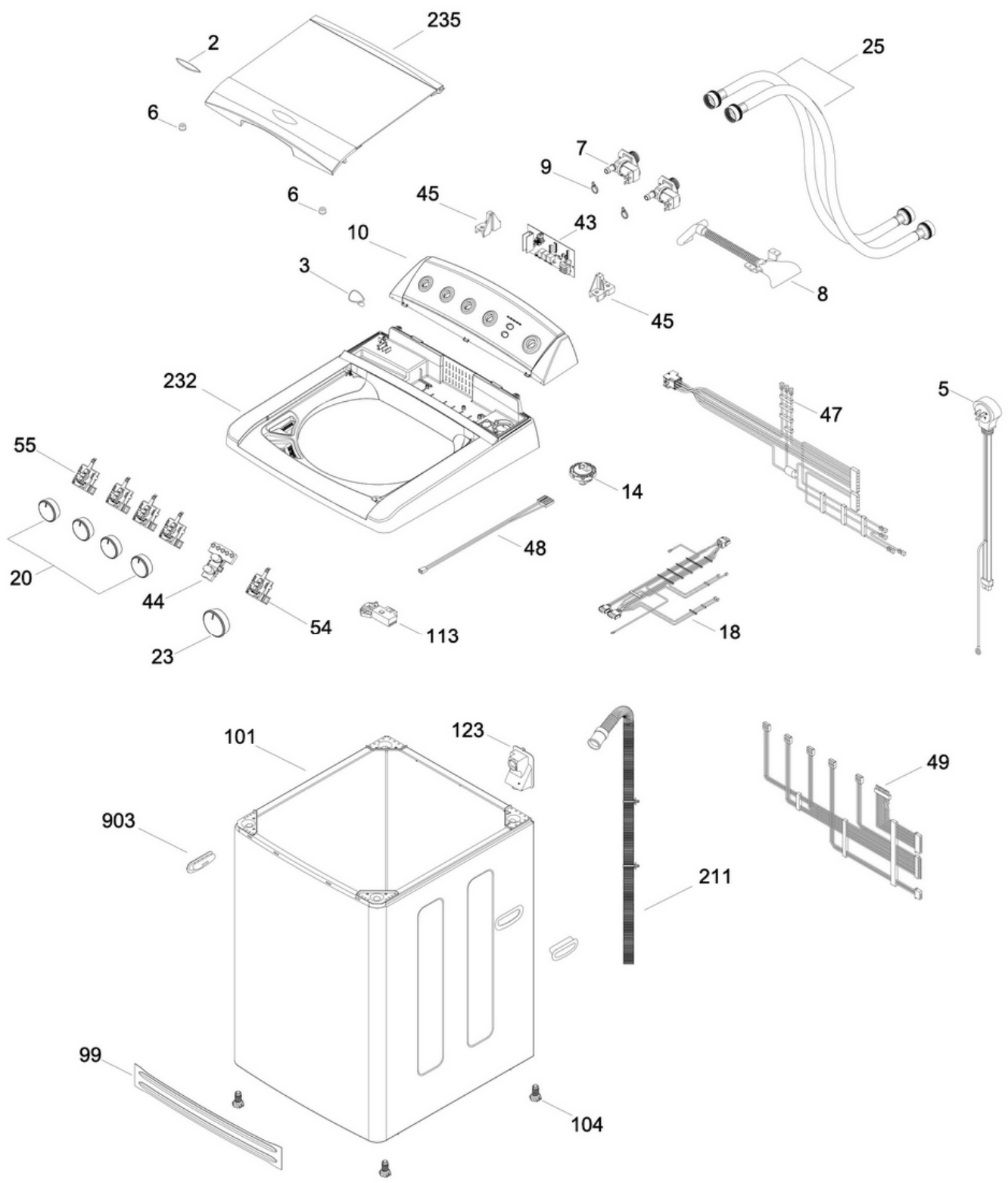
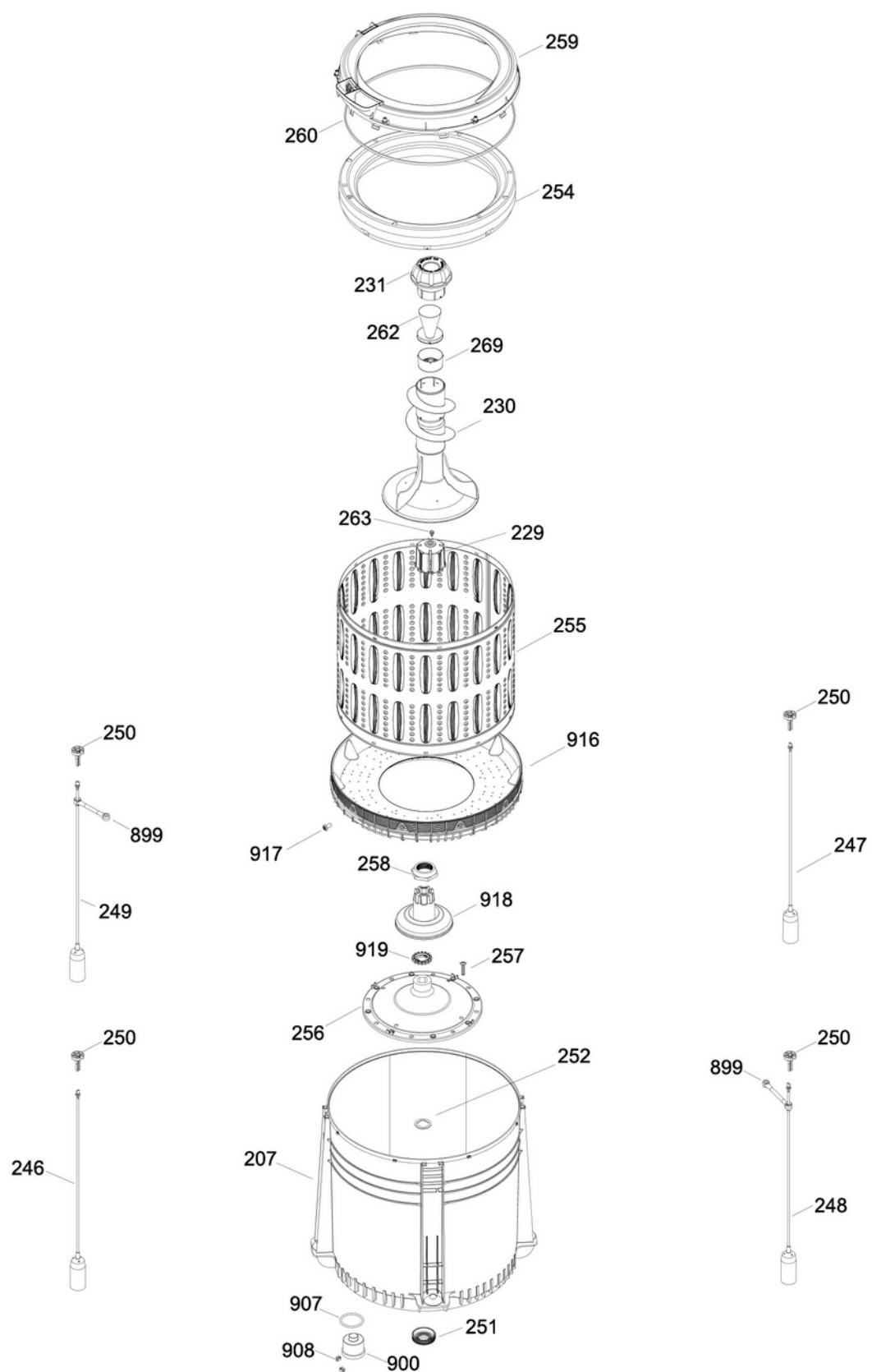


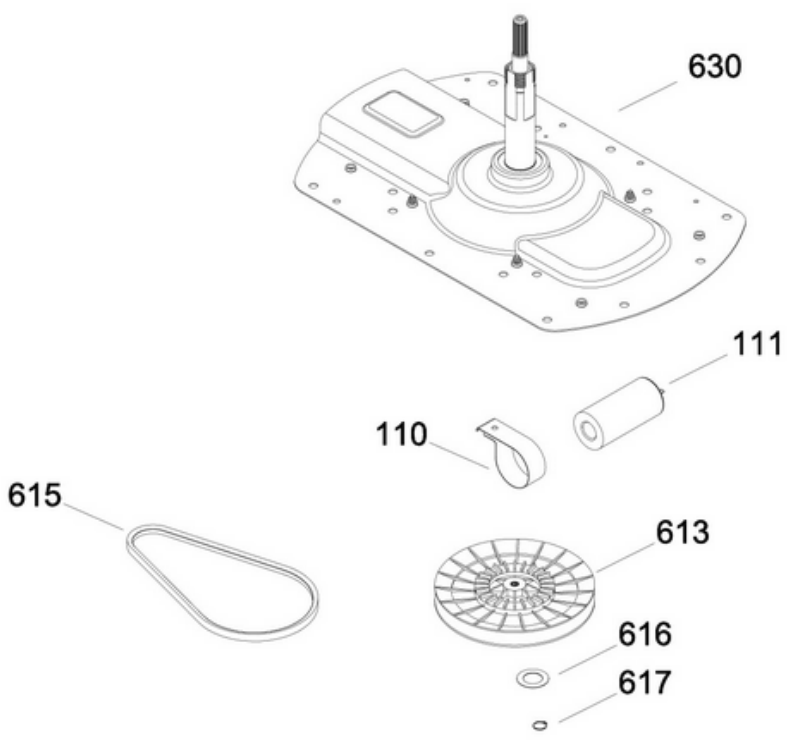
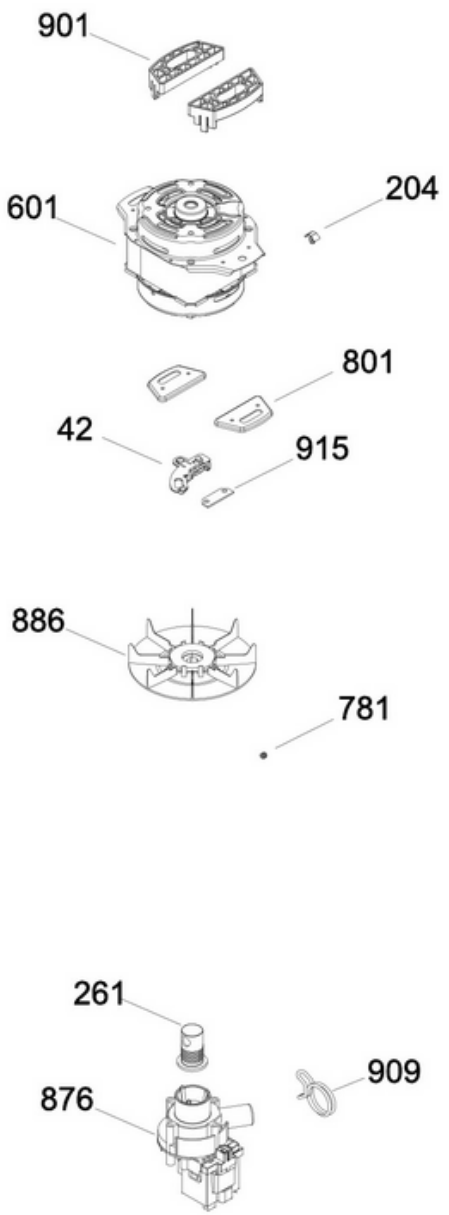
LAVADORA LIE14500PL2



LAVADORA LIE14500PL2



LAVADORA LIE14500PL2





LAVADORA LIE14500PL2

Guía	Componente	Descripción
2	323B2371P001	LOGO ID SYSTEM
3	323B1443P001	LOGO GOTA EASY
5	189D3208P002	CABLE TOMACORRIENTE
6	323B2372P001	BUMPER TAPA CAPELO
7	323B2149P002	VALVULA
7	323B1472P001	VALVULA
8	323B2198P004	ENTRADA DE AGUA
9	109B8787P014	ABRAZADERA
10	189D4128G003	COPETE HT. LIE14500PL2
14	228C1175P001	PRESOSTATO ELEC.
14	228C1175P002	PRESOSTATO ELEC.
18	189D3633G004	ARNES GABINETE
20	323B2342G003	ENS. PERILLA ROTATORIA BISQUE
23	323B2343G003	ENS. PERILLA CONTROL BISQUE
25	228C1203G001	MANGUERA DE LLENADO HO
42	228C2110P001	SOPORTE TARJETA
42	253C1058P001	SOPORTE TARJETA
42	253C1142P003	SOPORTE TARJETA
43	189D3630G002	TARJETA CONTROL PERILLAS
44	189D2762G011	BOTON SELECTOR
44	189D2762G016	BOTON SELECTOR
45	228C2199P001	SOPORTE TARJETA
47	189D3640G002	ARNES CUBIERTA 12,13,14KG 5P
48	189D2101G003	ARNES LAVADORA PRESOSTAT
49	189D2883G013	ARNES SELECTOR
54	228C2139G002	SELECTOR
55	228C2139G001	SELECTOR
55	228C1256G002	SELECTOR
99	323B2464G001	REFUERZO GABINETE
101	189D2655G002	ENS. GABINETE 10KG CURVO
104	228C2081P001	PATA
104	228C1202P001	PATA
110	228C1155P001	ABRAZADERA
110	228C1259P001	ABRAZADERA
111	228C1147P001	CAPACITOR



LAVADORA LIE14500PL2

Guía	Componente	Descripción
111	228C1259P001	CAPACITOR
113	189D4123P001	ENS. BLOCAPUERTAS
123	189D2637P001	TAPA MANGUERA
145	228C2135P002	DEPOSITO DETERGENTE
204	323B1365P001	BOTON MONTAJE
207	189D2668P002	TINA
207	189D2668P003	TINA
211	228C2206G001	MANGUERA
229	189D3624P001	COPE AGITADOR
229	189D3624P003	COPE AGITADOR
230	189D3746G001	ENS. AGITADOR
231	323B2302G003	ENS. DESPACHADOR SUAVIZANTE
232	189D2663P002F	CUBIERTA
235	189D3464G002	TAPA ENS.
246	189D1970G030	ENS. VARILLA
246	189D3916G011	ENS. VARILLA
247	189D1970G032	ENS. VARILLA
247	189D3916G012	ENS. VARILLA
248	189D1970G029	ENS. VARILLA
248	189D3916G011	ENS. VARILLA
249	189D1970G031	ENS. VARILLA
249	189D3916G012	ENS. VARILLA
250	189D1903P001	ROTULA SUPERIOR
251	228C2113P001	SELLO TINA
252	323B2127P001	ARANDELA
254	189D1111G003	ENS. ANILLO BALANCEO
254	233D2251G001	ENS. ANILLO BALANCEO
255	189D3561P001	CANASTA
255	189D3561P006	CANASTA
256	189D3533P001	FONDO CANASTA
256	233D2211G001	FONDO CANASTA
257	8911238P041	TORNILLO FONDO CANASTA
258	228C2160P001	TUERCA AMAZ IZO.
259	189D2789P001	CUBIERTA TINA
259	189D2789P003	CUBIERTA TINA



LAVADORA LIE14500PL2

Guía	Componente	Descripción
260	228C1177P002	SELLO TINA
261	228C2136P001	SELLO BOMBA
262	323B2299P002C	COPA SUAVIZANTE
263	323B1346P001	TORNILLO C/GROMET COPLE
263	323B1346P004	TORNILLO C/GROMET COPLE
269	323B2300P001C	RETARDANTE SUAVIZANTE
601	189D3186P002	MOTOR
613	189D2652P001	POLEA TRANSMISION
615	228C2115P003	BANDA UNIFICADA
616	323B2052P001	ARANDELA DE FRICCION
617	323B2000P001	ANILLO DE RETENCION
630	189D3593G001	SOPORTE LOW CO
781	323B1279P002	OPRESOR POLEA
801	323B2167P001	REFUERZO MOTOR
876	189D4101P001	BOMBA DE DESAGUE
886	189D2645G002	ENS. POLEA MOTOR
886	189D2645G002L	ENS. POLEA MOTOR
899	228C1169G003	BUJE-LIGA
900	228C2089P001	TAPON CAJA PRESOSTATO
901	228C2112P001	ESPACIADOR MOTOR
901	253C1092P002	ESPACIADOR MOTOR
903	228C2118P001	JALADERA
907	323B2098P001	O-RING
908	323B2099P001	CLIP TAPON PRESOSTATO
909	323B1390P001	ABRAZADERA BOMBA
915	228C2076P003	TARJETA SENSOR
915	253C1058P001	TARJETA SENSOR
915	253C1142P003	TARJETA SENSOR
916	189D3562P002	FONDO PLASTICO
916	189D3562P003	FONDO PLASTICO
916	189D3562P001	FONDO PLASTICO
917	323B2433P001	TORNILLO
918	189D3590G001	ENS. FLOTADOR
919	228C2315P001	EMBRAGUE FIJO