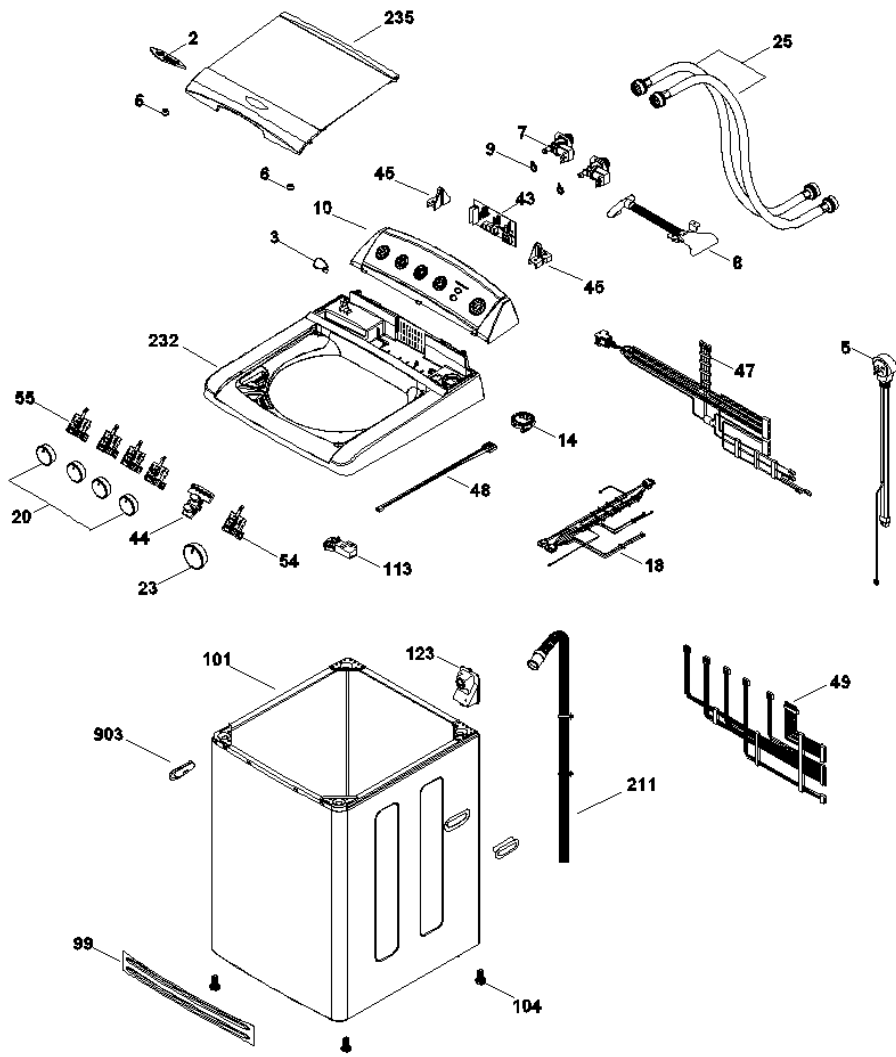
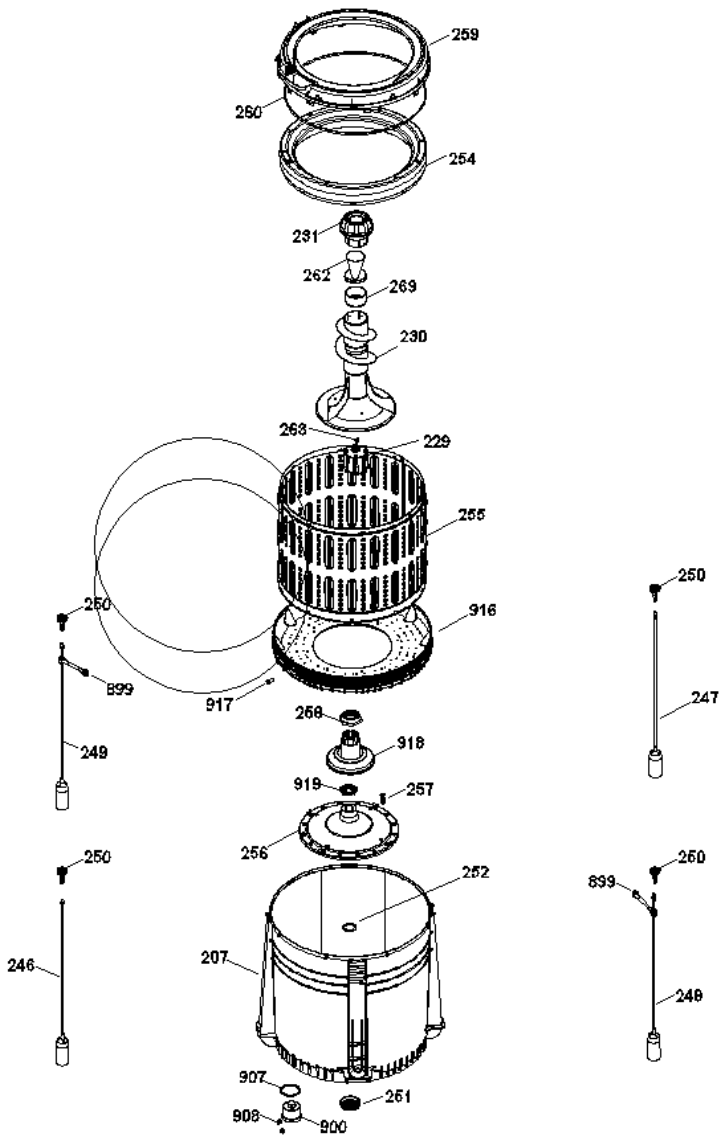


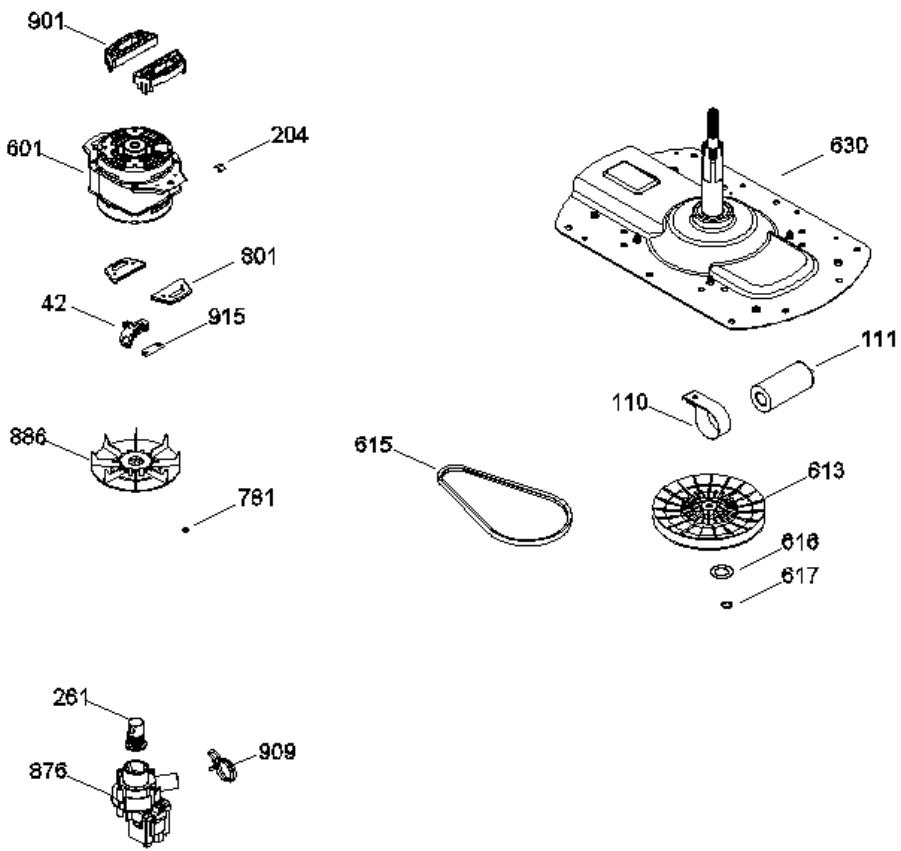
LIE14560PM2



LIE14560PM2



LIE14560PM2





LIE14560PM2

| | | |
|-----|--------------|--------------------------------|
| 2 | 323B2345P001 | LOGO ID SYSTEM ALUMINIO 4.0 |
| 3 | 323B1443P001 | LOGO GOTA EASY |
| 5 | 189D3208P002 | TOMACORRIENTE AMAZ. NUEVO |
| 6 | 323B2372P001 | BUMPER TAPA CAPELO |
| 7 | 323B2149P002 | VALVULA DE ENTRADA 1-1 AMAZ SS |
| 8 | 323B2198P004 | MANGUERA ENTRADA DE AGUA |
| 9 | 109B8787P014 | ABRAZADERA ENTRADA DE AGUA |
| 10 | 189D4128G001 | COPETE HT LIE14560PM2 |
| 14 | 228C1175P001 | PRESOSTATO ELECTRONICO EMYCOL |
| 18 | 189D3633G004 | ARNES GABINETE 27" BOMBA ASKOL |
| 20 | 323B2342G001 | PERILLA ROTATORIA GRIS ENS |
| 23 | 323B2343G001 | PERILLA CONTROL GRIS ENS |
| 25 | 228C1203G001 | MANGUERA DE LLENADO HO |
| 42 | 228C2110P001 | SOPORTE TARJETA SENSOR MOTOR |
| 42 | 228C2110P001 | SOPORTE TARJETA SENSOR MOTOR |
| 43 | 189D3630G002 | TARJETA PERILLAS 14KG 5P SS ID |
| 44 | 189D2762G011 | TARJETA BOTONES ID AURA NAUTIL |
| 45 | 228C2199P001 | SOPORTE TARJETA PERILLAS |
| 47 | 189D3640G002 | ARNES CUBIERTA 12,13,14KG 5P D |
| 48 | 189D2101G003 | ARNES PRESOSTATO ELECTRONICO |
| 49 | 189D2883G013 | ARNES SELECTOR 5 PERILLAS |
| 54 | 228C2139G002 | SELECTOR 8 POSICIONES |
| 55 | 228C2139G001 | SELECTOR DE PROGRAMA 5 POSICI |
| 99 | 323B2464G001 | REFUERZO GABINETE |
| 101 | 189D2655G001 | GABINETE CURVO ENSAMBLE BCO |
| 101 | 189D2655G001 | GABINETE CURVO ENSAMBLE BCO |
| 104 | 228C2081P001 | PATA NIVELADORA |
| 110 | 228C1155P001 | ABRAZADERA CAPACITOR WEG 15,4 |
| 111 | 228C1147P001 | CAPACITOR WEG 45 MF |
| 113 | 189D4123P001 | BLOCAPUERTAS ENS |
| 123 | 189D2637P001 | TAPA MANGUERRA DE SALIDA |
| 204 | 323B1365P001 | BOTON DE MONTAJE ARNES MOTOR |
| 207 | 189D2668P002 | TINA 13 KG |

| | | |
|-----|---------------|--------------------------------|
| 211 | 228C2206G001 | MANGUERA DE DRENADO |
| 229 | 189D3624P001 | COPLA AGITADOR |
| 230 | 189D3746G001 | AGITADOR ENS |
| 231 | 323B2302G003 | DESPACHADOR SUAVIZANTE ENS |
| 232 | 189D2990G001F | CUBIERTA DESP.DETERG.ENS.FABRI |
| 235 | 189D3464G003 | TAPA TIPO CAPELO POSTPINT ENS |
| 246 | 189D1970G030 | SUSP.14 KG FRON.IZQ.S/LIGA ENS |
| 247 | 189D1970G032 | SUSP.14 KG POST.DER.S/LIGA ENS |
| 248 | 189D1970G029 | SUSP.14 KG FRON.DER.C/LIGA ENS |
| 249 | 189D1970G031 | SUSP.14 KG POST.IZQ.C/LIGA ENS |
| 250 | 189D1903P001 | ROTULA SUPERIOR |
| 251 | 228C2113P001 | SELLO TINA |
| 252 | 323B2127P001 | ARANDELA FONDO CANASTA |
| 254 | 189D1111G003 | ARO BALANCE 14KG ENS |
| 255 | 189D3561P001 | CANASTA |
| 256 | 189D3533P001 | FONDO CANASTA |
| 257 | 8911238P041 | TORNILLO FONDO CANASTA |
| 258 | 228C2160P001 | TUERCA TINA |
| 259 | 189D2789P001 | CUBIERTA TINA |
| 260 | 228C1177P002 | SELLO CUBIERTA TINA |
| 261 | 228C2136P001 | SELLO BOMBA |
| 262 | 323B2299P002C | COPA SUAVIZANTE AZUL META COMP |
| 263 | 323B1346P001 | TORNILLO C/GROMET COPLA |
| 269 | 323B2300P001C | RETARDANTE SUAVIZANTE |
| 601 | 189D3186P002 | MOTOR BALEROS 1/4 |
| 613 | 189D2652P001 | POLEA TRANSMISION |
| 615 | 228C2115P003 | BANDA UNIFICADA |
| 616 | 323B2052P001 | ARANDELA DE FRICCION |
| 617 | 323B2000P001 | ANILLO DE RETENCION |
| 630 | 189D3593G001 | TRANSMISION CON SOPORTES ENS |
| 781 | 323B1279P002 | OPRESOR POLEA |
| 801 | 323B2167P001 | REFUERZO MOTOR AMAZ |
| 876 | 189D4101P001 | BOMBA ASKOLL 11KG |
| 886 | 189D2645G002 | POLEA MOTOR ENS |
| 899 | 228C1169G003 | BUJE-LIGA 11-13 KG ENS |
| 900 | 228C2089P001 | TAPON CAJA PRESOSTATO TINA |
| 901 | 228C2112P001 | ESPACIADOR MOTOR |
| 903 | 228C2118P001 | JALADERA PARA GABINETE |

| | | |
|-----|--------------|-----------------------------|
| 907 | 323B2098P001 | SELLO TAPON TINA |
| 908 | 323B2099P001 | CLIP TAPON PRESOSTATO |
| 909 | 323B1390P001 | ABRAZADERA BOMBA DOBLE HILO |
| 909 | 323B1390P001 | ABRAZADERA BOMBA DOBLE HILO |
| 915 | 228C2076P003 | TARJETA SENSOR MOTOR |
| 916 | 189D3562P002 | FONDO PLASTICO |
| 917 | 323B2433P001 | TORNILLO FONDO CANASTA SS |
| 918 | 189D3590G001 | ENSAMBLE FLOTADOR |
| 919 | 228C2315P001 | EMBRAGUE FIJO |