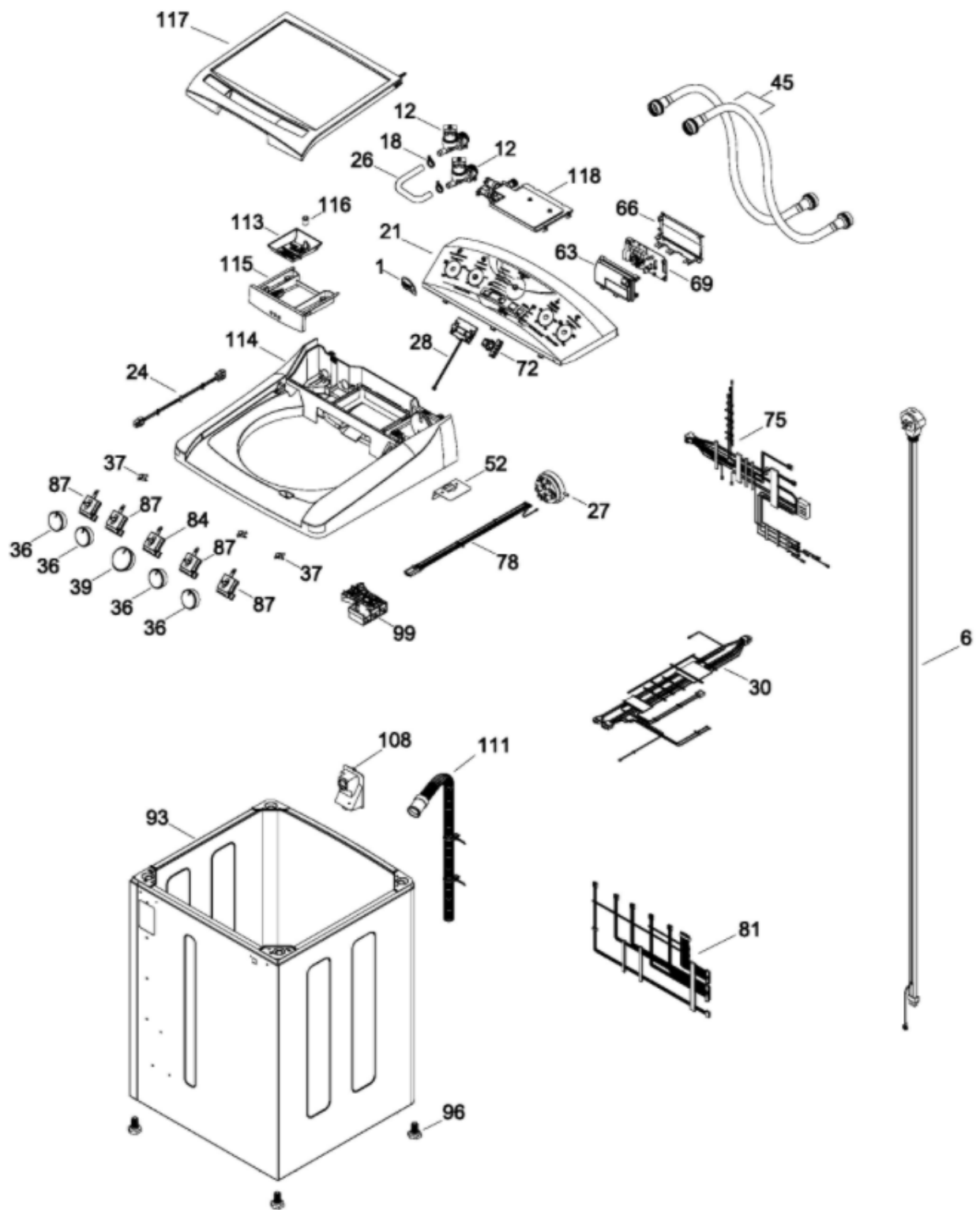


# LAVADORA LIE16585XGG0

SISTEMA ELECTRICO

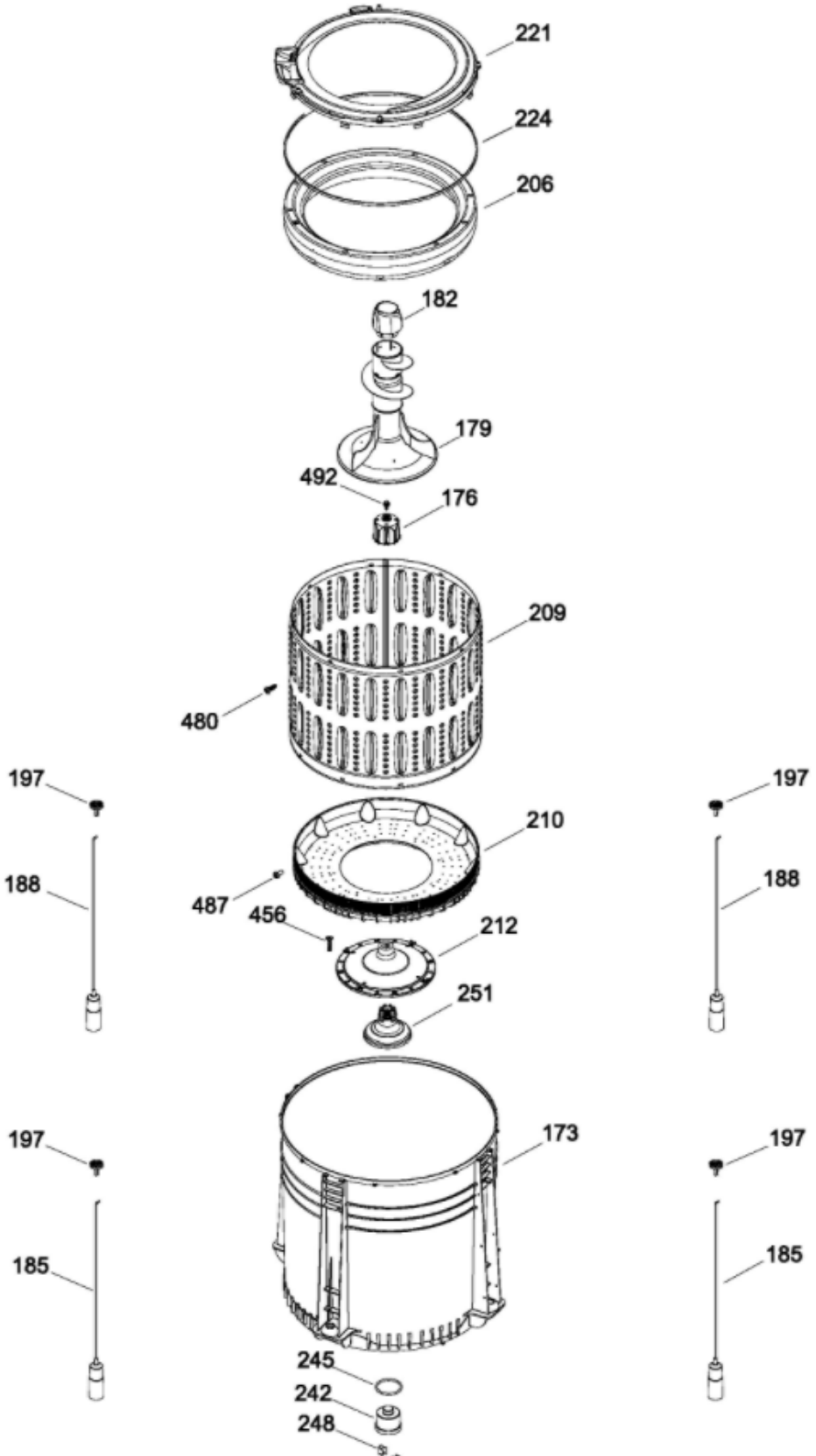
LIE16585XBB0  
 LIE16585XGG0



# LAVADORA LIE16585XGG0

SISTEMA HIDRAULICO

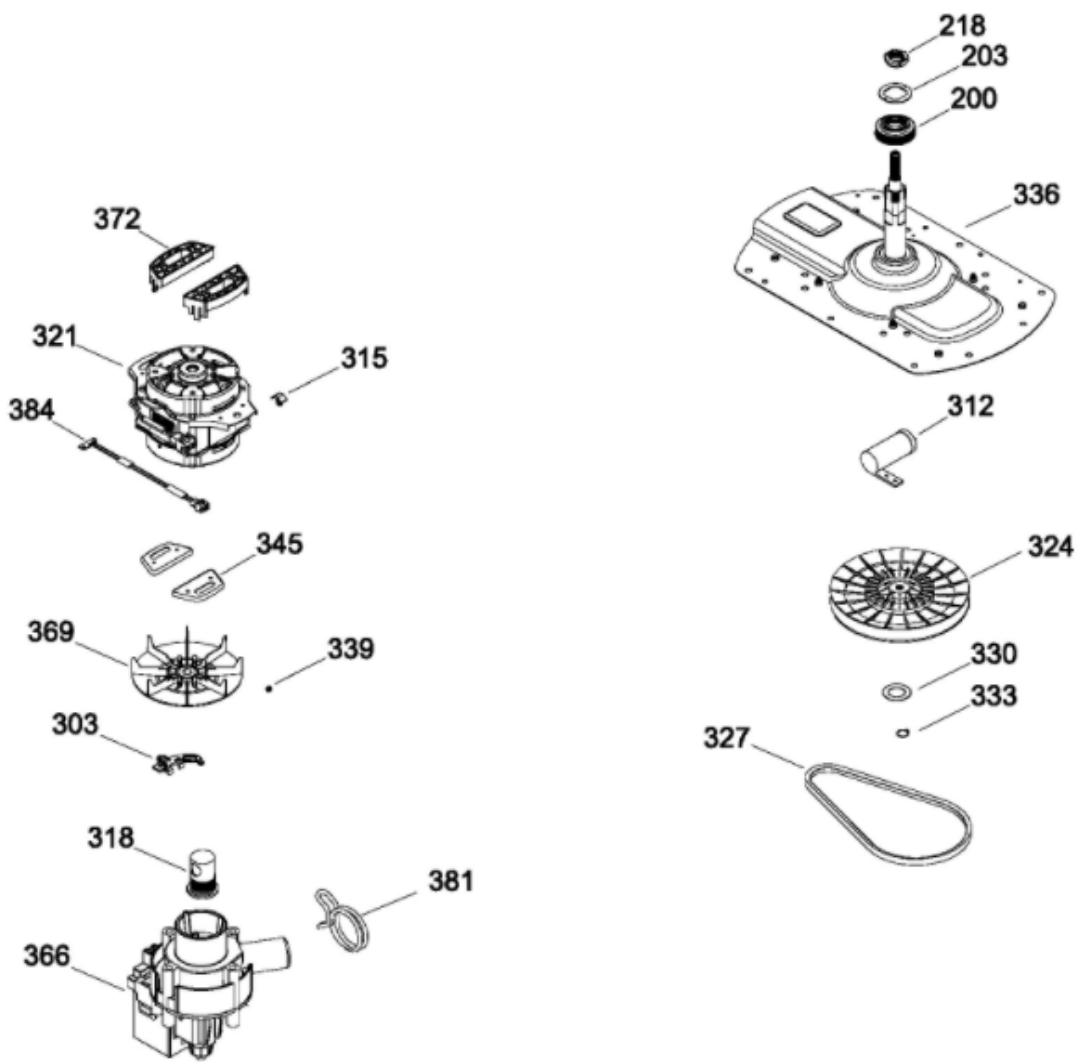
LIE16585XBB0  
 LIE16585XGG0



# LAVADORA LIE16585XGG0

SISTEMA MECANICO

LIE16585XBB0  
 LIE16585XGG0





# LAVADORA LIE16585XGG0

Guía	Refacción	Descripción
1	WW01L00419	LOGO EASY
6	WW01F00823	CABLE TOMACORRIENTE
6	WW01F00114	CABLE TOMACORRIENTE
12	WW01F00350	UNIVALVULA
18	WW01A00002	ABRAZADERA
21	WW01L00229	ENS. COPETE HEAT TRANSFER
24	WW01F00225	ARNES EXTENS.ION
26	WW01L00380	MANGUERA DESPACHADOR
26	WW01F00598	MANGUERA DESPACHADOR
27	WW01F00252	PRESOSTATO
28	WW01L00423	INDICADOR ENS.
28	WW01L00732	INDICADOR ENS.
30	WW01F00809	ARNES GABINETE
30	WW01F01470	ARNES GABINETE
36	WW03L00134	PERILLA ROTATORIA ENS(BCO)
37	WW01A00092	BUJE PERILLA
39	WW01L00377	PERILLA CTRL ARO CROMADO GRAFI
45	WW01L01033	MANGUERA LLENADO
52	WW01A00054	SOPORTE METALICO
63	WW01L00268	PROTECTOR TARJETA
66	WW01L00267	PROTECTOR BASE TARJETA
69	WW01F01044	TARJETA TNT LOW COST
72	WW01F00220	BOTON SELECTOR
75	WW01F00192	ARNES CUBIERTA
78	WW01F00166	ARNES PRESOSTATO
81	WW01F00172	ARNES SELECTOR
84	WW01F00341	SELECTOR PROGRAMA
87	WW01F00338	SELECTOR 5 PROGRAMAS
93	WW01L00963	ENS. GABINETE
96	WW01L01040	PATA
96	WW01L00468	PATA
99	WW01L00469	ENS. BLOCAPUERTAS
99	WW01F01553	ENS. BLOCAPUERTAS
108	WW01L00080	TAPA MANGUERA
111	WW01L00470	MANGUERA
113	WW01L00206	LIQUID DISPENSER
114	WW01L00933	CUBIERTA



# LAVADORA LIE16585XGG0

Guía	Refacción	Descripción
115	WW01L00955	CAIXA DISPENS.ER MONTADA
116	WW01L00366	SIPHON GRIS
117	WW01L00195	ENS. TAPA
118	WW01L00971	BASE DISPENS.ER MONTADA
118	WW01F00326	BASE DISPENS.ER MONTADA
173	WW01L00436	TINA
173	WW01L01119	TINA
176	WW01F00360	COPLA AGITADOR LOW COS
179	WW01L00945	ENS. AGITADOR
182	WW01L00265	TAPA AGITADOR
185	WW01L00494	ENS. VARILLA
188	WW01L00499	ENS. VARILLA
197	WW01F00265	ROTULA
200	WS01L09224	SELLO TINA
203	WW01A00080	ARANDELA
206	WW01L00951	ENS. ANILLO BALANCEO
206	WW01L01503	ENS. ANILLO BALANCEO
209	WW01L01113	CANASTA
209	WW01L00153	CANASTA
210	WW01L00156	FONDO PLASTICO
210	WW01L00154	FONDO PLASTICO
210	WW01L00154	FONDO PLASTICO
212	WW01L01015	FONDO CANASTA FLOTADOR
212	WW01L00449	FONDO CANASTA FLOTADOR
212	WW01A00572	FONDO CANASTA
218	WW01A00048	TUERCA AMAZ IZQ.
221	WW01F00067	CUBIERTA TINA
224	WW01L00467	SELLO CUBIERTA TINA
242	WW01L00287	TAPON CAJA PRESOSTATO
245	WW01F00277	O-RING
248	WW01A00079	CLIP TAPON PRESOSTATO
251	WW01L00157	ENS. FLOTADOR
303	WW01A00046	SOPORTE TARJETA
303	WW01F01172	SOPORTE TARJETA
303	WW02F00224	SOPORTE TARJETA
312	WW01F00342	CAPACITOR
315	WW01L00338	BOTON MONTAJE



# LAVADORA LIE16585XGG0

Guía	Refacción	Descripción
318	WW01L00295	SELLO BOMBA
321	WW01F00331	ENS. MOTOR
321	WW01F01173	ENS. MOTOR
324	WW01F00043	POLEA TRANSMISION
327	WW01F00345	BANDA UNIFICADA
327	WW01F00345	BANDA UNIFICADA
330	WW01A00071	ARANDELA DE FRICCION
333	WW01A00069	ANILLO DE RETENCION
336	WW01F00134	SOPORTE LOW CO
339	WW01F00272	OPRESOR POLEA
345	WW01L00355	REFUERZO MOTOR
366	WW01F00201	BOMBA DE DESAGUE
366	WW01F00267	BOMBA DE DESAGUE
369	WW01F00039	POLEA MOTOR AMAZONA ENS
369	WW01F00357	POLEA MOTOR AMAZONA ENS
372	WW01F00256	ESPACIADOR MOTOR
372	WW01F00256	ESPACIADOR MOTOR
381	WW01A00104	ABRAZADERA BOMBA
384	WW01F00362	TARJETA SENSOR
384	WW01F01172	TARJETA SENSOR
384	WW02F00224	TARJETA SENSOR
456	WW01A00099	TORNILLO FONDO CANASTA
480	WW01A00063	TORNILLO
487	WW01A00089	TORNILLO
492	WW01A00064	TORNILLO C/GROMET COPLE
492	WW01A00064	TORNILLO C/GROMET COPLE