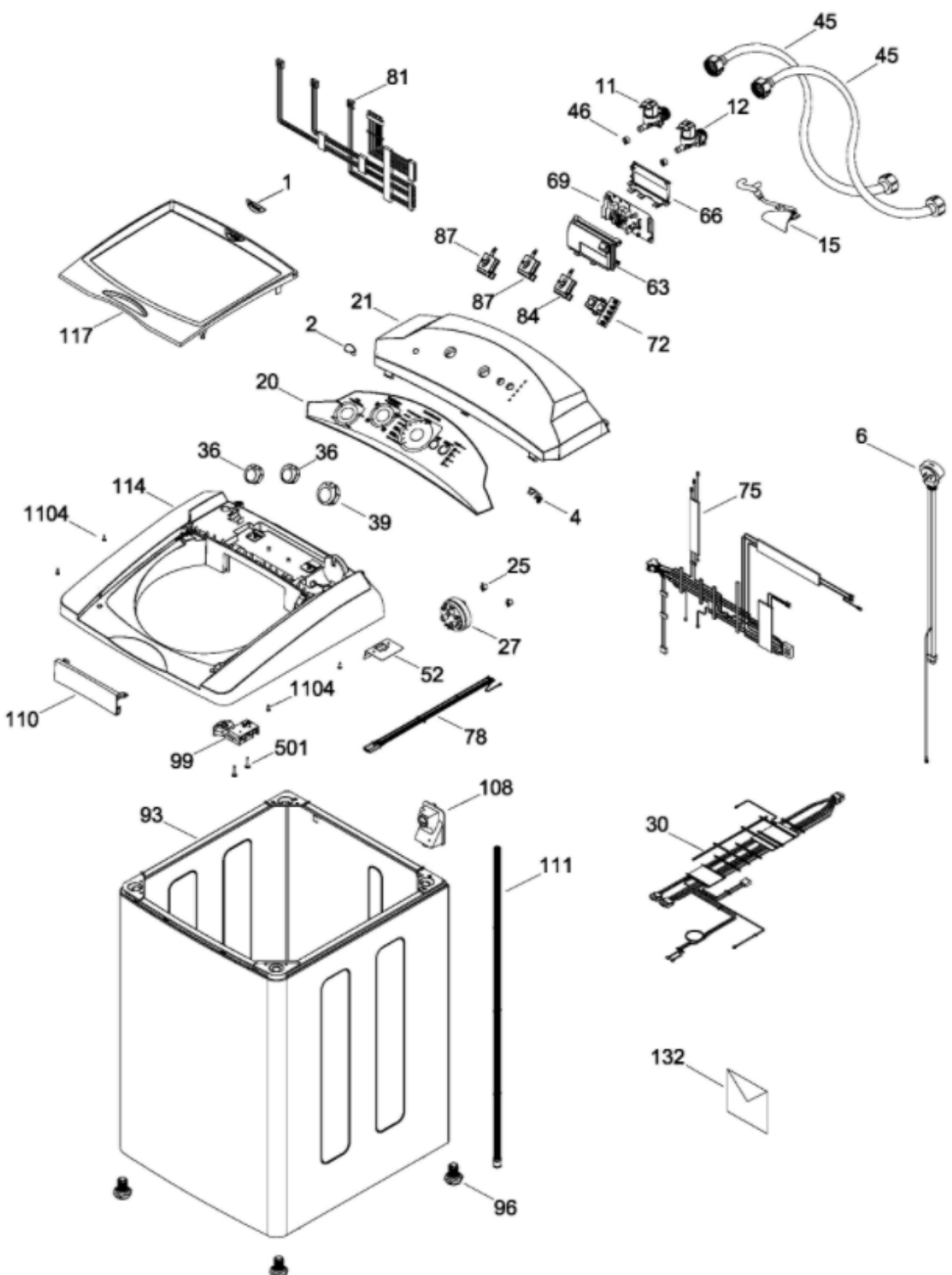


LAVADORA LIE17300PGG00

COPETE / BACKSPLASH
 GABINETE Y CUBIERTA / CABINET & COVER

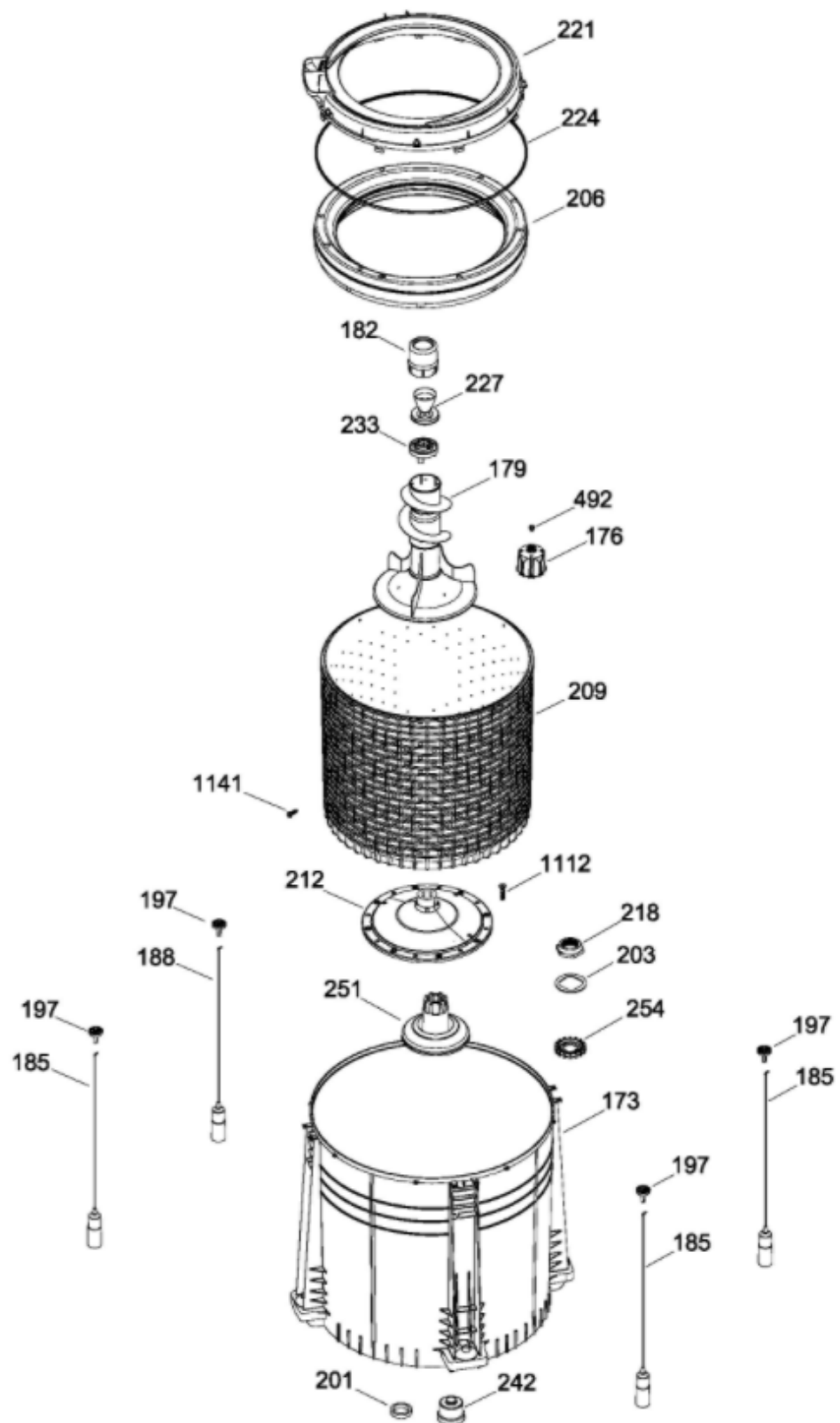
LIE17300PGG00



LAVADORA LIE17300PGG00

PARTES PARA TINA / TUB, BASKET & AGITATOR

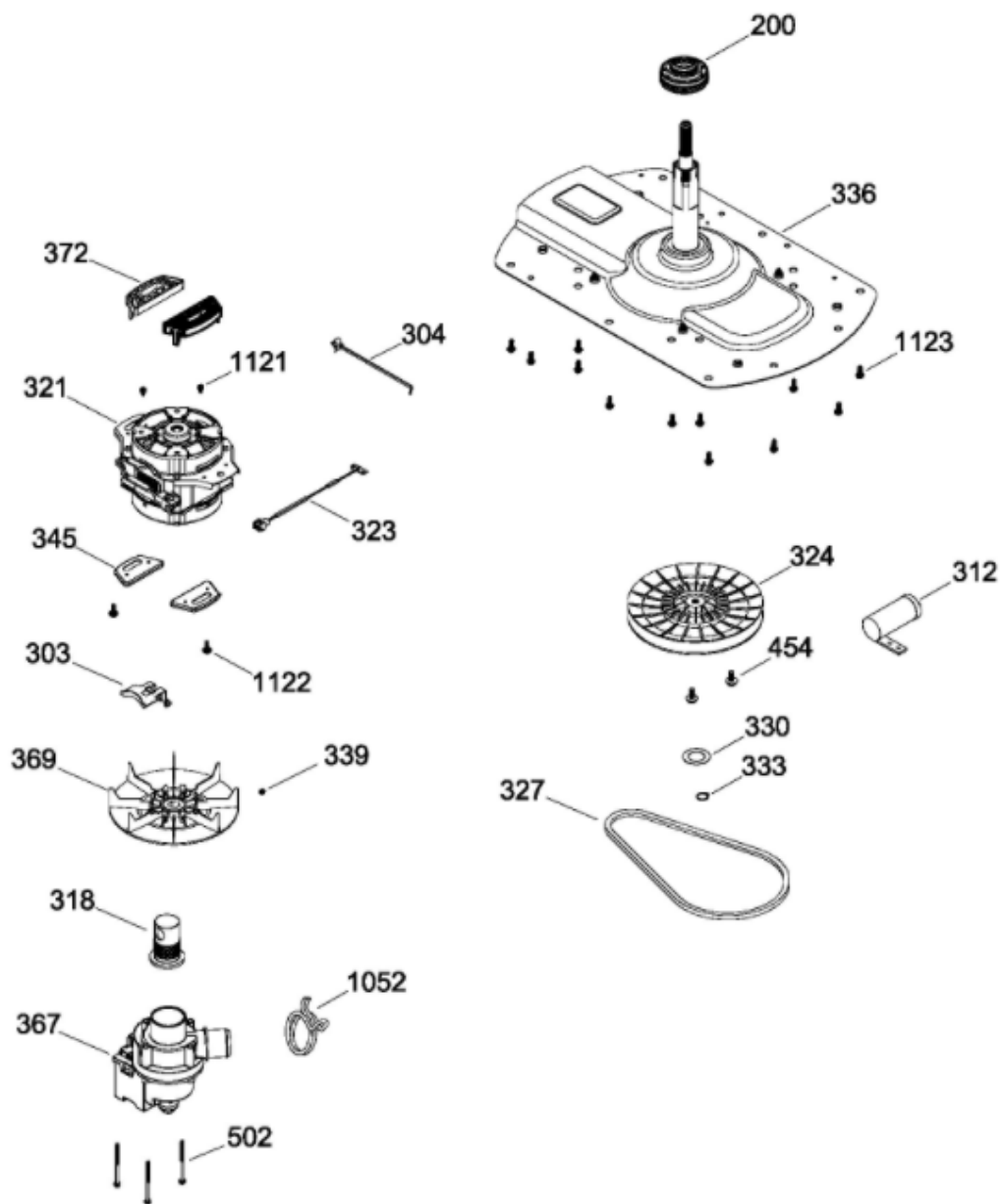
LIE17300PGG00



LAVADORA LIE17300PGG00

SISTEMA MOTRIZ / PUMP & DRIVE COMPONENTS

LIE17300PGG00





LAVADORA LIE17300PGG00

Guía	Refacción	Descripción
1	WW01L00368	LOGO GOTA
2	WW01L00497	LOGO GOTA EASY
4	WW01A00363	LOGO 17KG
6	WW01F00113	CABLE TOMACORRIENTE
11	WW01F00364	UNIVALVULA
12	WW01F00349	UNIVALVULA
15	WW01F01300	MANGUERA ENTRADA DE AGUA
20	WW03F00170	OVERLAY
21	WW01L00127	PAINEL DE CONTROLE
21	WW01L01487	PAINEL DE CONTROLE
25	WW01A00068	ABRAZADERA MANGUERA
27	WW01F00252	PRESOSTATO
30	WW01F01470	ARNES GABINETE
36	WW01L00415	KNOB ROTARY ASSEMBLY SILVER PO
39	WW01L00410	KNOB CONTROL ASSEMBY SILVER PO
45	WW01F00597	MANGUERA
45	WW01F01987	MANGUERA
46	WW01A00112	ABRAZADERA MANGUERA
46	WW01A00113	ABRAZADERA MANGUERA
52	WW01A00054	SOPORTE METALICO
63	WW01L00268	PROTECTOR TARJETA
66	WW01L00267	PROTECTOR BASE TARJETA
69	WW01F00356	TARJETA TNT
72	WW01F00055	BOTON SELECTOR
75	WW01F01469	ARNES CUBIERTA
78	WW01F00166	ARNES PRESOSTATO
81	WW01F00168	ARNES SELECTOR
84	WW01F00341	SELECTOR PROGRAMA
87	WW01F00338	SELECTOR 5 PROGRAMAS
93	WW01L00963	ENS. GABINETE
96	WW01L00468	PATA NIVELADORA
99	WW01F01553	ENS BLOCAPUERTAS
108	WW01L00491	TAPA MANGUERA
110	WW02L00220	TAPA DESPACHADOR GRAFITO
111	WW01L00316	MANGUERA
114	WW01L00442	COBERTURA
114	WW01L01485	COBERTURA



LAVADORA LIE17300PGG00

Guía	Refacción	Descripción
117	WW01L01386	TAPA ENS (GRIS)
132	WW01A00057	BOLSA ACCESORIOS
173	WW01L00915	TINA 11 Y 13 KGS.AMAZONAS
173	WW01L01119	TINA 11 Y 13 KGS.AMAZONAS
176	WW01F00360	COPLA AGITADOR LOW COS
179	WW01L00451	ENS. AGITADOR
182	WW03L00051	TAPA FSD
185	WW01A00213	ENSAMBLE VARILLA FRONTAL 13KG
188	WW01A00214	ENSAMBLE VARILLA POSTERIOR 13K
197	WW01F00265	ROTULA
200	WW02F00547	SELLO TINA
201	WW03F00128	GASKET
203	WW01A00556	ARANDELA PLANA NUEVA
206	WW01L00017	ARO DE BALANCE ENS
209	WW01L00044	CANASTA 12 KG
209	WW01L00044	CANASTA 12 KG
212	WW01L01361	FONDO DE ALUMINIO
218	WW01A00048	TUERCA AMAZ IZO.
221	WW01F00068	CUBIERTA TINA
224	WW01L00467	SELLO CUBIERTA TINA
227	WW01L00432	COPA SUAVIZANTE AZUL
227	WW01L00432	COPA SUAVIZANTE AZUL
233	WW01L00433	RETARDANTE DE FLUJO
242	WW01F01152	TAPON TUBO PRESOSTATO
242	WW01F01152	TAPON TUBO PRESOSTATO
242	WW01F01152	TAPON TUBO PRESOSTATO
251	WW01L00157	ENS. FLOTADOR
254	WW01F00347	EMBRAGUE FIJO
303	WW01F01172	SOPORTE TARJETA SENSOR
304	WW01A00006	CINCHO ESPADA (BOMBA Y ARNES)
312	WW01F00342	CAPACITOR
318	WW01L00295	SELLO BOMBA
321	WW01F01173	MOTOR 127V/60HZ
321	WW01F00331	MOTOR 127V/60HZ
323	WW02F00224	TARJETA SENSOR
324	WW01F00043	POLEA TRANSMISION
327	WW01F00345	BANDA UNIFICADA



LAVADORA LIE17300PGG00

Guía	Refacción	Descripción
327	WW01F00345	BANDA UNIFICADA
330	WW01A00071	ARANDELA DE FRICCIÓN
333	WW01A00069	ANILLO DE RETENCIÓN
336	WW01F00134	SOPORTE LOW CO
339	WW01F00272	OPRESOR POLEA
345	WW01L00355	REFUERZO MOTOR
367	WW01F00267	BOMBA
369	WW01F00357	ENS. POLEA MOTOR
372	WW01F00256	GROMMET INF MOTOR
454	WW01A00106	TORNILLO VALVULA
454	WW01A00097	TORNILLO VALVULA
492	WW01A00064	TORNILLO C/GROMMET COUPLE
492	WW01A00064	TORNILLO C/GROMMET COUPLE
501	WW01A00075	TORNILLO LID LOCK
502	WW01A00081	TORNILLO BOMBA
1052	WW01A00094	ABRAZADERA
1104	WW01A00097	TORNILLO 8-18 X 7/16 AB FENIX
1112	WW01A00099	TORNILLO FONDO CANASTA
1121	WW01A00001	TORNILLO
1122	WW01A00076	TORNILLO SUJECIÓN
1123	WW01A00084	TORNILLO
1141	WW01A00063	TORNILLO