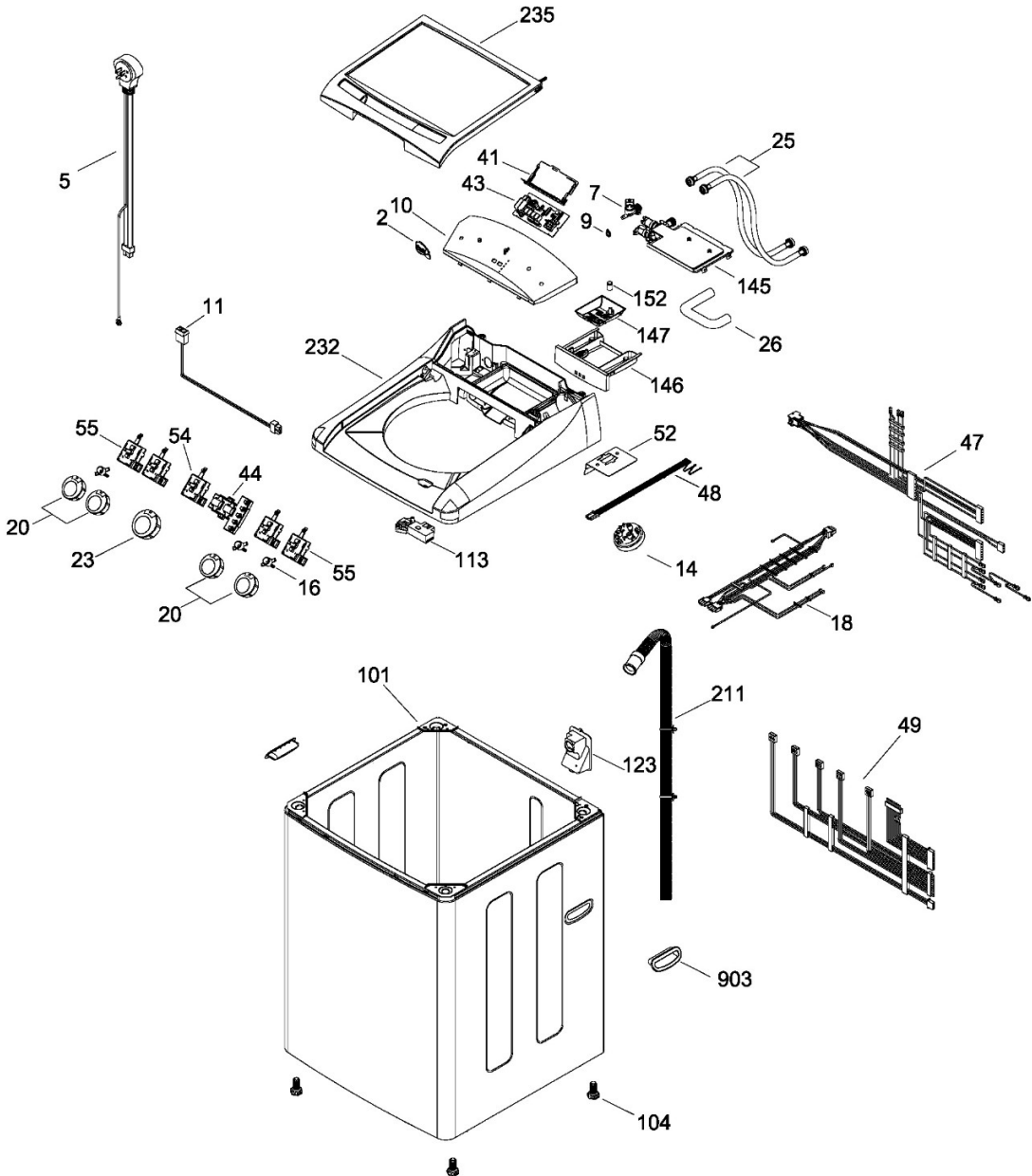
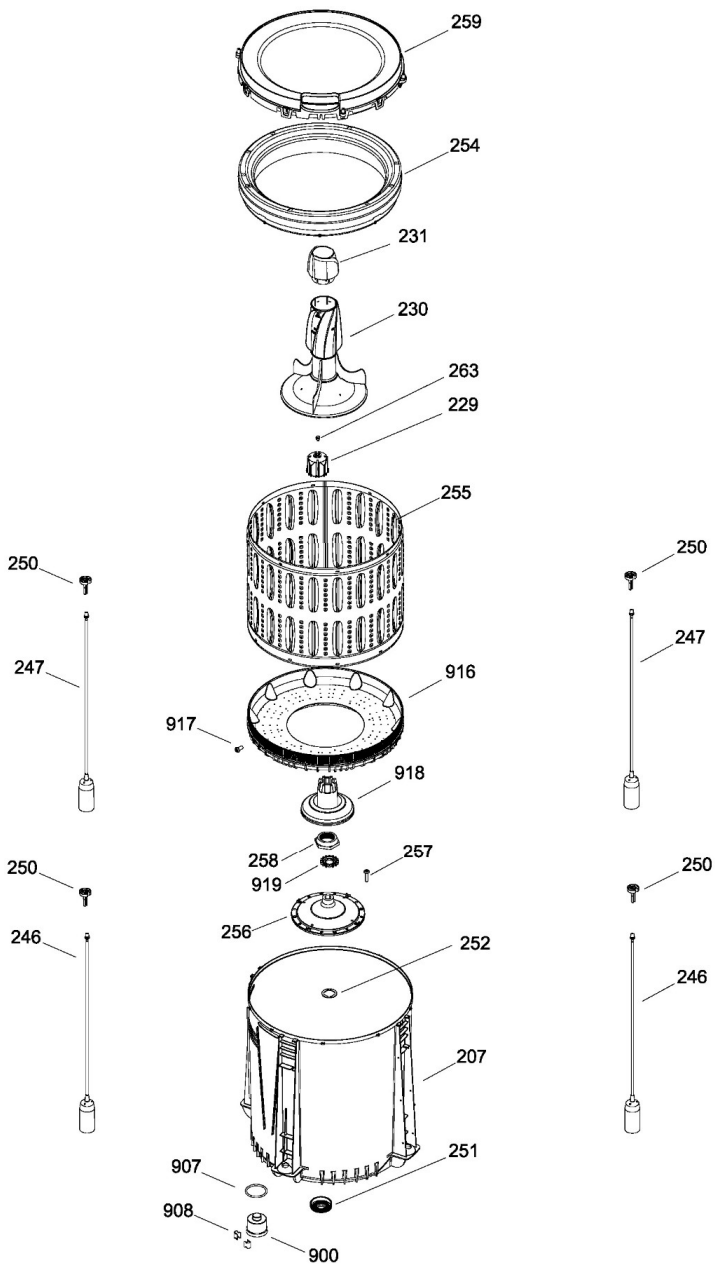


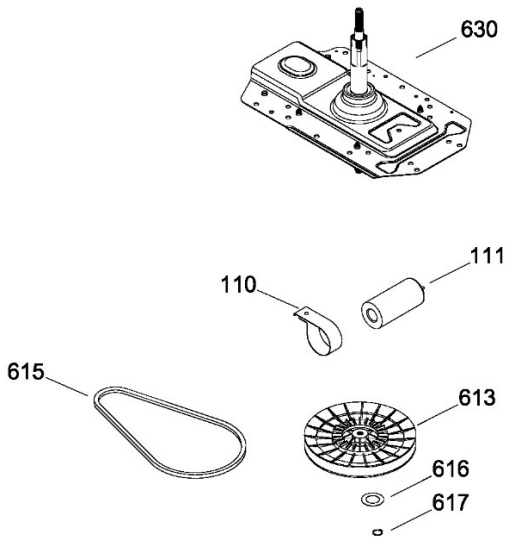
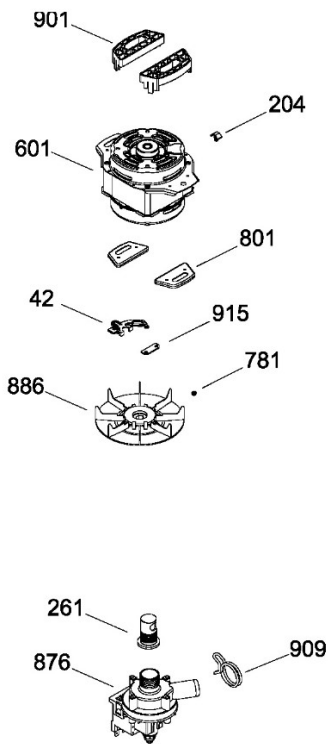
Lavadora Mabe LLE11565PM0



Lavadora Mabe LLE11565PM0



Lavadora Mabe LLE11565PM0



Guía	Componente	Descripción
2	323B2569P001	LOGO EASY
5	189D3208P001	CABLE TOMACORRIENTE
5	189D3208P005	CABLE TOMACORRIENTE
7	323B2149P006	VALVULA 127/60 PARA AGUA CALIE
9	109B8787P014	ABRAZADERA
10	189D5011G001	ENSAMBLE COPETE-HEAT TRANSFER
11	189D3390G004	CHICOTE EXTENS.AO
14	228C2084P003	PRESOSTATO
16	323B2566P001	BUJE PERILLA
18	189D3633G002	ARNES GABINETE
20	323B2545G002	ENS. PERILLA ROTATORIA
23	323B2544G002	ENS. PERILLA CONTROL
25	228C1203G001	MANGUERA DE LLENADO HO
26	323B2366P003	MANGUERA PARA VALVULA DE AGUA
41	189D5008P001	PROTECTOR BASE TARJETA
42	228C2110P001	SOPORTE TARJETA
42	253C1058P001	SOPORTE TARJETA
42	253C1142P003	SOPORTE TARJETA
43	189D5031G002	TARJETA DE CONTROL
44	189D5033G001	BOTON SELECTOR
47	189D5030G001	ARNES CUBIERTA
48	189D2624P009	ARNES PRESOSTATO
49	189D5032G001	ARNES SELECTOR
52	228C2385P001	SOPORTE METALICO
54	228C2139G002	SELECTOR
55	228C2139G001	SELECTOR
55	228C1256G002	SELECTOR



Lavadora Mabe LLE11565PM0

Guía	Componente	Descripción
101	189D2564G003	ENS. GABINETE
104	228C2081P001	PATA
104	228C1202P001	PATA
110	228C1155P001	ABRAZADERA
110	228C1259P001	ABRAZADERA
111	228C1147P001	CAPACITOR
111	228C1259P001	CAPACITOR
113	228C2107P002	BLOCAPUERTAS ENS C/SLIDER
123	189D2637P001	TAPA MANGUERA
145	189D3114G011	BASE DISPENS.ER MONTADA
145	189D3114G033	BASE DISPENS.ER MONTADA
146	189D2255G007	CAIXA DISPENS.ER MONTADA
146	233D1185G019F	CAIXA DISPENS.ER MONTADA
147	189D3991P003	LIQUIDO DISPENS.ADOR
152	323B2222P003	SIFON
204	323B1365P001	BOTON MONTAJE
207	189D2917G001	ENS. TINA
207	233D1434G001	ENS. TINA
211	228C2206G001	MANGUERA
229	189D3624P001	COPLA AGITADOR
229	189D3624P003	COPLA AGITADOR
230	189D3745G001	ENS. AGITADOR
231	189D5059P001	TAPA AGITADOR
232	189D3890P001	CUBIERTA
235	189D3879G002	ENS. TAPA 24POSTPINTADA
246	189D1970G033	ENS. SUSP. FRONTAL 11 KG. S/L
247	189D1970G034	ENS. SUSP. POSTERIOR 11KG. S/L



Lavadora Mabe LLE11565PM0

Guía	Componente	Descripción
250	189D1903P001	ROTULA SUPERIOR
251	228C2113P001	SELLO TINA
252	323B2127P001	ARANDELA
254	189D1021G001	ARO BALANCE ENS.
255	189D3856P002	CANASTA
256	189D3533P001	FONDO CANASTA
256	233D2211G001	FONDO CANASTA
257	323B2433P001	TORNILLO
257	8911238P041	TORNILLO FONDO CANASTA
258	228C2160P001	TUERCA AMAZ IZQ.
259	189D5060P001	CUBIERTA TINA
261	228C2090P001	SELLO BOMBA
263	323B1346P001	TORNILLO C/GROMET COPLE
263	323B1346P004	TORNILLO C/GROMET COPLE
601	189D3186P002	MOTOR
613	189D2652P001	POLEA TRANSMISION
615	228C2115P003	BANDA UNIFICADA
615	228C2115P004	BANDA UNIFICADA
616	323B2052P001	ARANDELA DE FRICCION
617	323B2000P001	ANILLO DE RETENCION
630	189D3593G002	ENS. TX CON SOPORTE LC
781	323B1279P002	OPRESOR POLEA
801	323B2167P001	REFUERZO MOTOR
876	189D4087P001	BOMBA DE DESAGUE
886	189D2645G002	ENS. POLEA MOTOR
886	189D2645G002L	ENS. POLEA MOTOR
900	228C2089P001	TAPON CAJA PRESOSTATO



Lavadora Mabe LLE11565PM0

Guía	Componente	Descripción
901	228C2112P001	ESPACIADOR MOTOR
901	253C1092P002	ESPACIADOR MOTOR
903	228C2118P001	JALADERA
907	323B2098P001	O-RING
908	323B2099P001	CLIP TAPON PRESOSTATO
909	323B1390P001	ABRAZADERA BOMBA
915	228C2076P003	TARJETA SENSOR
915	253C1058P001	TARJETA SENSOR
915	253C1142P003	TARJETA SENSOR
916	189D3857P001	FONDO CANASTA 11 KG (MÉXICO Y
916	189D3857P002	FONDO CANASTA 11 KG (MÉXICO Y
918	189D3590G001	ENS. FLOTADOR
919	228C2315P001	EMBRAGUE FIJO