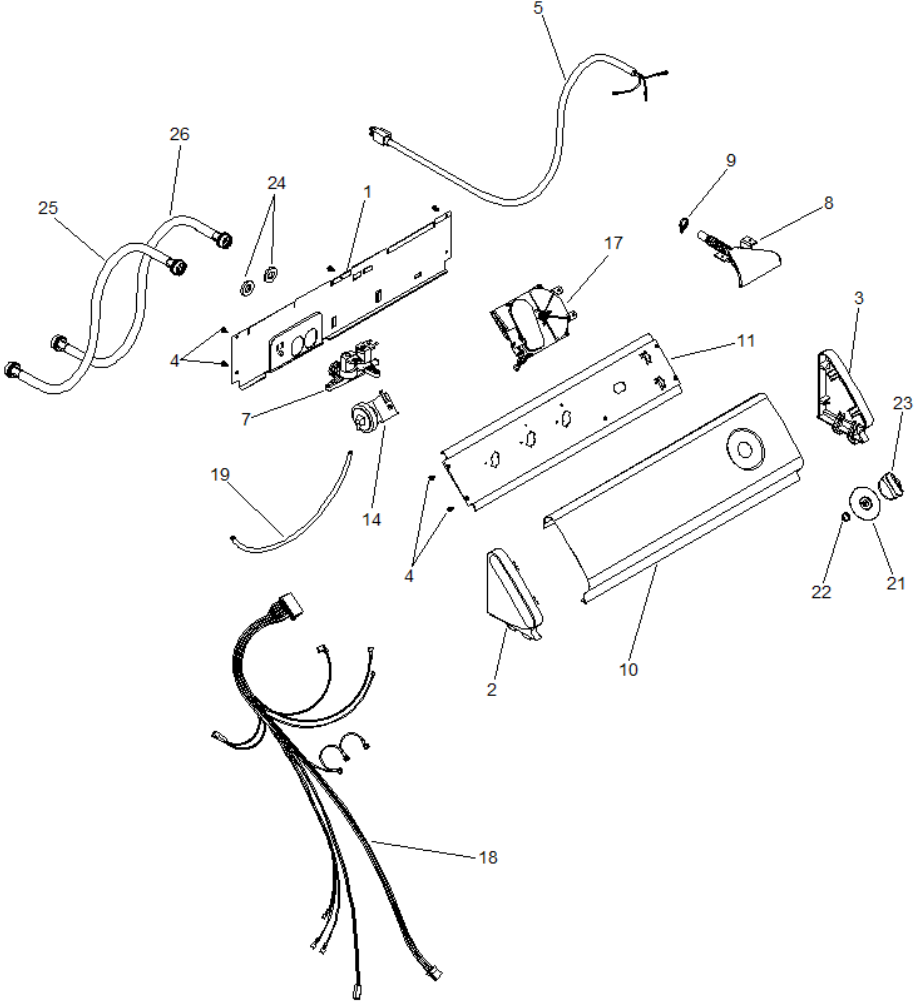
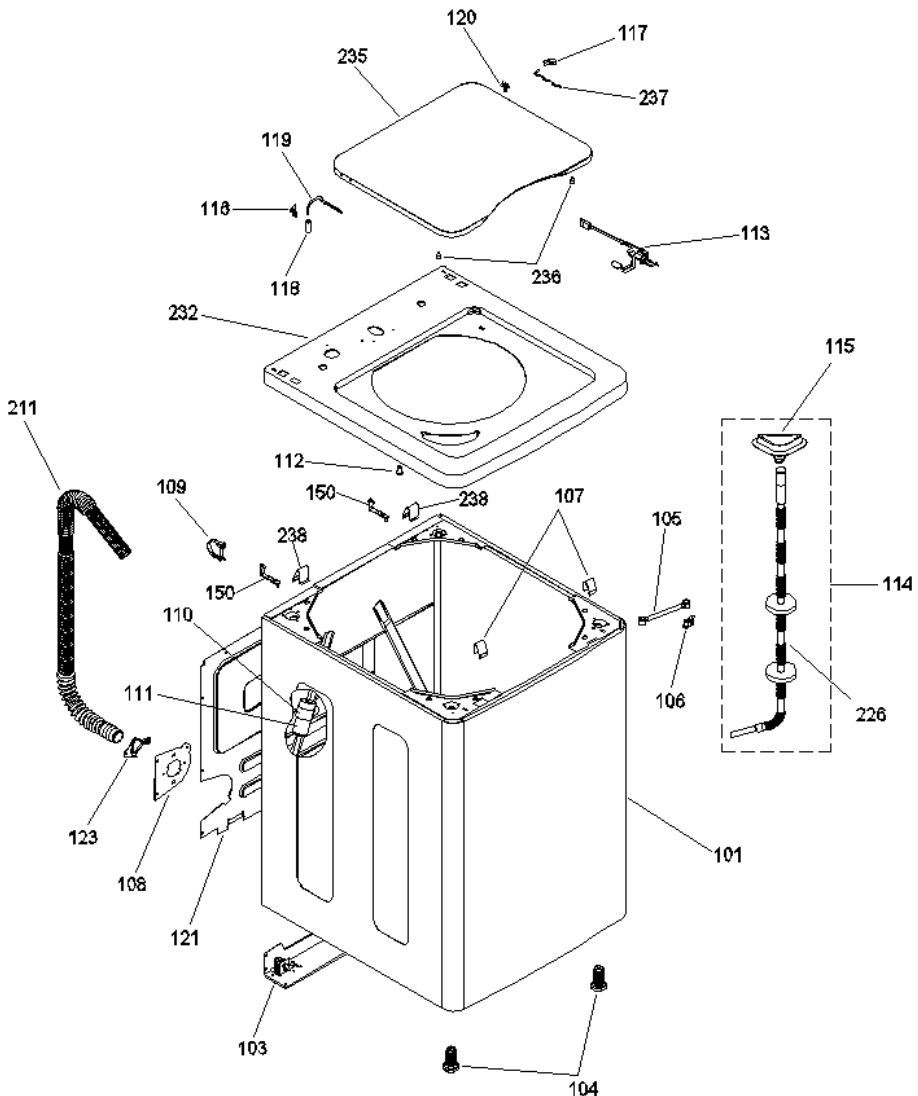


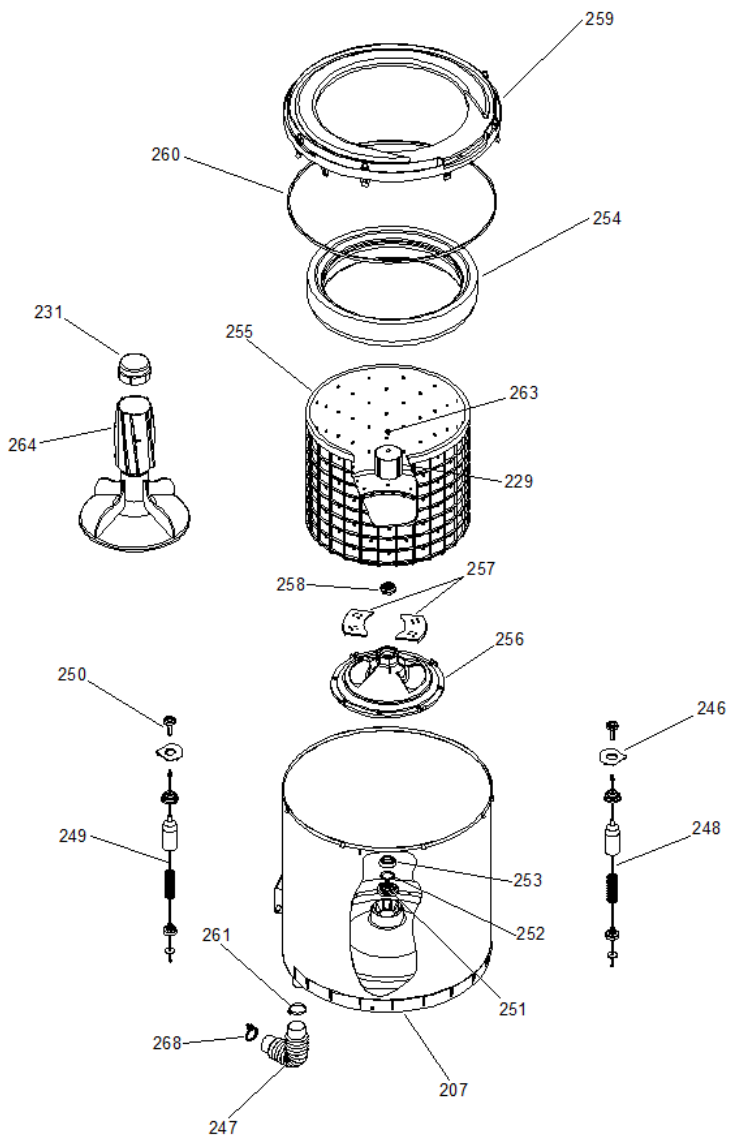
LMA1020BE0



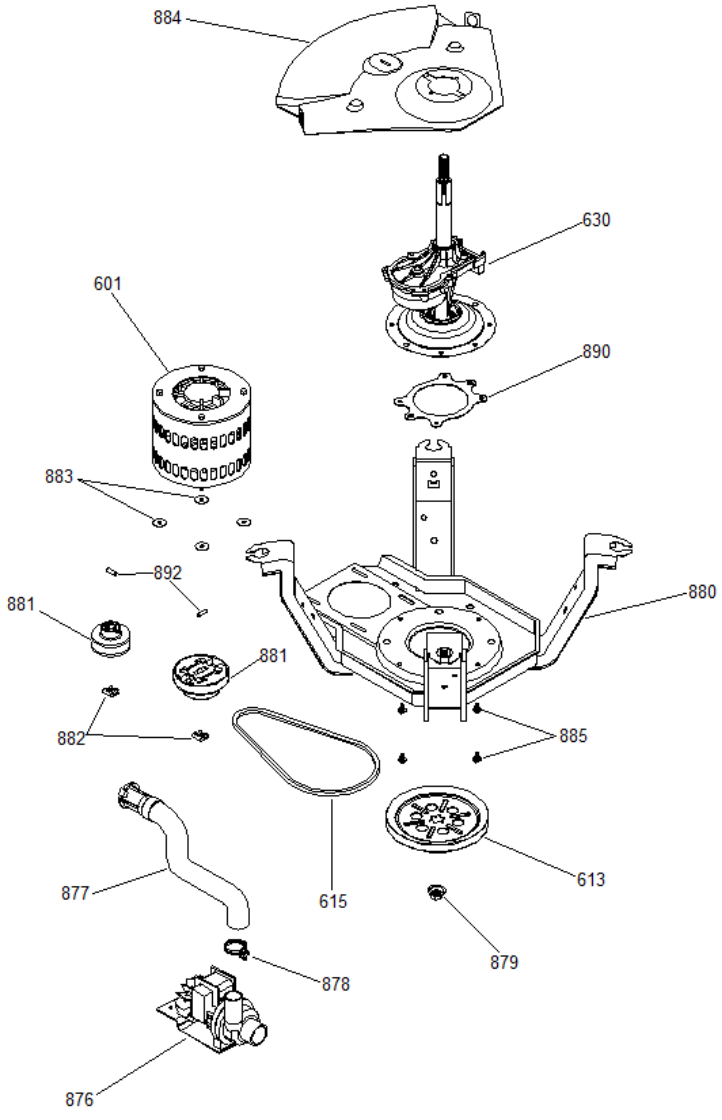
LMA1020BE0



LMA1020BE0



LMA1020BE0





LMA1020BE0

1	189D1004P001	RESPALDO COPETE 24"
2	189D1176P002	REMATE COPETE STD IZQ. (BCO.)
3	189D1176P001	REMATE COPETE STD DER. (BCO.)
4	109B3400P115	TORNILLO 8-18 AB HXW 3/8 S
5	189D1194P001	CABLE TOMACORRIENTE
7	175D2937P001	VALVULA PARA AGUA (127 V.)
8	189D1455P001	ENTRADA MANGUERA DE AGUA
9	109B8787P014	ABRAZADERA ENTRADA DE AGUA
10	189D1586P001	VISTA DECORATIVA
11	189D1000P001	SOPORTE CONTROLES STD 24"
14	189D1195P004	PRESOSTATO LAV. 6 KG
17	175D2307P001	CONTROL DE TIEMPO (127 V)
18	189D1398P001	ARNES
19	323B1052P001	MANGUERA PRESOSTATO CORTA
21	189D1055P006	CARATULA PERILLA CTL. (BCA.)
22	5401618P002	ANILLO DE COMPRESION CARATULA
23	189D1235G001	PERILLA CTL. TIEMPO ENS.(BCA.)
24	603600	EMPAQUE MANGUERA LLENADO
25	141A6384G058	MANGUERA LLENADO AGUA CALIENTE
26	141A6384G059	MANGUERA LLENADO AGUA FRIA
101	189D1038G001	GABINETE 24" RECTO ENS. (BCO.)
103	189D1148G001	BASE POSTERIOR 24" ENS.
104	143B9532P002	PATA NIVELADORA
105	123C7979P001	TIRANTE
106	123C7980P001	RETEN TIRANTE
107	228C1043P001	CLIP DE CUBIERTA CHICO
108	228C1003P001	SOPORTE MANGUERA
109	175D2504P001	CLIP ANTI SIFON
110	228C1018P001	ABRAZADERA CAPACITOR
111	228C1062P001	CAPACITOR TERMINAL SENC.
112	323B1125P001	GUIA PARA CUBIERTA
113	189D1229G001	INTERRUPTOR TAPA ENS.
116	175D2535P007	ALOJAMIENTO BISAGRA DOBLE BCA.

117	175D2556P015	ALOJAMIENTO BISAGRA SENC. BCA.
118	143B9554P001	TOPE BISAGRA
119	123C8025P005	BISAGRA DE ALAMBRE (LARGA)
120	228C1015P001	PALANCA ACTUADOR TAPA 24"
121	189D1031P001	RESPALDO SERVICIO P/LAV.
123	175D1259P002	CLIP MANGUERA EXTERNA (ACTUAL)
150	141A6134P002	TIRANTE CUBIERTA LINEA "S"
207	189D1136G001	TINA ENS.
211	189D1599P001	MANGUERA DRENADO EXTERNA
229	175D2110P003	COPE AGITADOR PLASTICO
231	189D1162P001	TAPON AGITADOR
232	189D1145P013	CUBIERTA RECTA S/DESP. (BCA.)
235	189D1141G013	TAPA RECTA ENS. (BCA.)
236	123C8091P001	PROTECTOR PARA TAPA
237	123C8029P001	BISAGRA DE ALAMBRE (CORTA)
238	141A7584P002	CLIP DE CUBIERTA GRANDE
246	175D2534P001	ALOJAMIENTO ROTULA
247	228C1056P001	MANGUERA TINA A BOMBA
248	189D1138G003	SUSPENSION ESP. ENS.
249	189D1138G002	SUSPENSION ENS.
250	175D2259P001	ROTULA SUPERIOR
251	175D2951P001	SELLO TINA
252	143B9506P001	RONDANA FONDO CANASTA
253	123C8006P002GE	ANILLO CONICO SECCIONADO
254	189D1021G001	ARO BALANCE ENS.
255	189D1105G002	ENSAMBLE CANASTA 6 KG.
256	189D1171P001	FONDO CANASTA
257	175D2845P002	FILTRO ATRAPA-PELUSA PLAST.
258	143B9489G004	TUERCA FONDO CANASTA IMPORTADA
259	189D1018P001	CUBIERTA TINA
260	323B1061P001	SELLO MEC. TINA
261	323B1140P001	ABRAZADERA SALIDA TINA
263	8911225P043	TORN.(COPL AGI)1/4"-20 MCH 5/8
264	189D1393G001	AGITADOR RADIAL ENS. (BCO.)
268	323B1150P001	ABRAZADERA ENTRADA BOMBA
601	189D1299P001	MOTOR 1 VEL. (127 V./ 60 HZ.)
601	189D1299P001	MOTOR 1 VEL. (127 V./ 60 HZ.)
601	189D1299P001	MOTOR 1 VEL. (127 V./ 60 HZ.)

613	175D2187P001	POLEA TRANSMISION
615	228C1032P001	BANDA
630	189D1598G003	TRANSMISION ENS.
876	189D1307G001	ENS. BOMBA SOPORTE (127 V.)
877	189D1196P001	MANGUERA DE DESAGUE INTERIOR
878	109B8787P008	ABRAZADERA (SALIDA A BOMBA)
879	143B9488P001	TUERCA POLEA
880	189D1089G001	PLATAFORMA ENS.
881	228C1080P001	POLEA MOTOR (OLYMPIA)
881	228C1080P001	POLEA MOTOR (OLYMPIA)
881	228C1080P001	POLEA MOTOR (OLYMPIA)
882	143B9468P001	CANDADO CLUTCH
883	143B9481P001	TUERCA HEXAGONAL FIJ MOTOR
884	189D1084P001	PROTECTOR TINA
885	8911215P019	TORN. 1/4"-20 B XHW 3/4" S SN
890	7610229	MATERIAL DE FRICCION (ZAPATA)
892	323B1088P001	PERNO DE ARRASTRE MOTOR