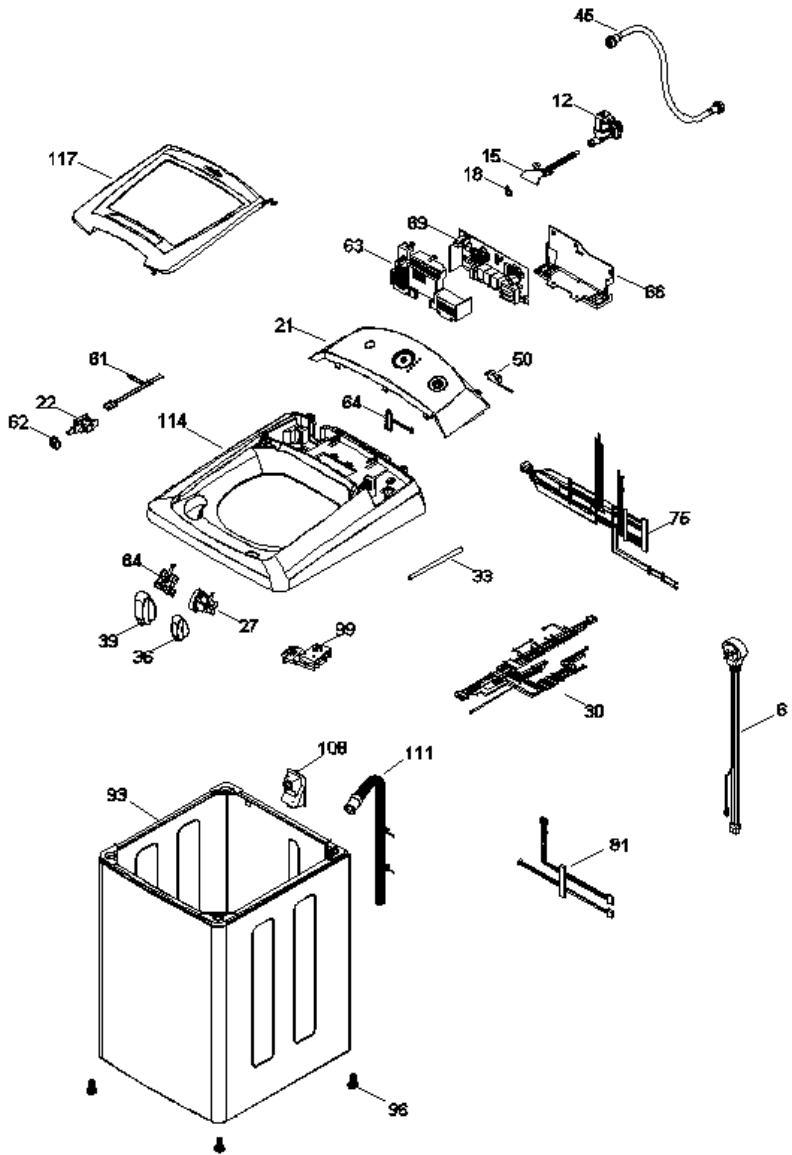
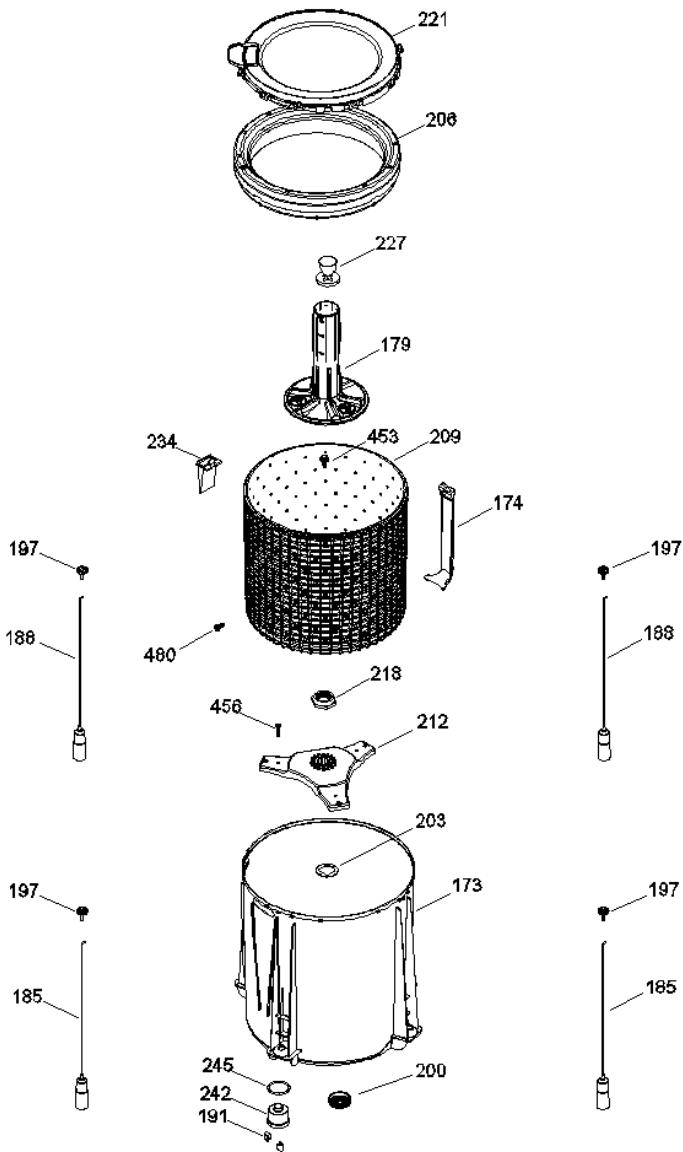
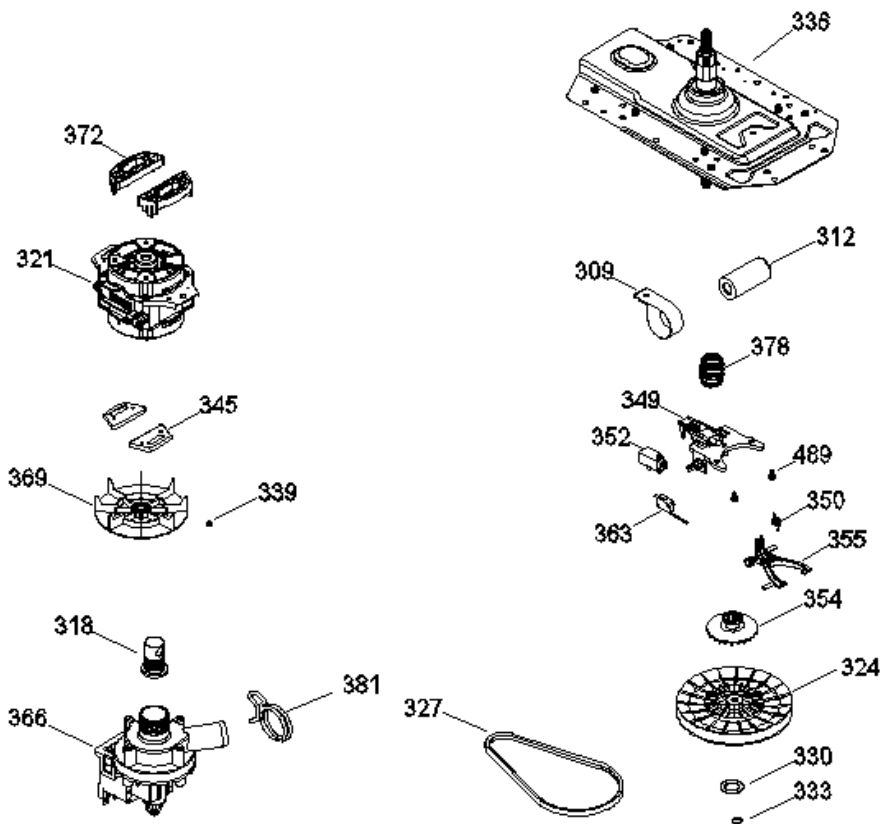


LMA1022PBS1



**LMA1022PBS1**







LMA1022PBS1

6	189D3208P001	CABLE TOMACORRIENTE UL
12	228C2085P002	VALVULA DE LLENADO 1-1 AMAZ
15	323B2198P006	MANGUERA ENTRADA DE AGUA
18	109B8787P014	ABRAZADERA ENTRADA DE AGUA
21	189D4157G002	COPETE HEAT TRANSFER
22	228C2333P001	INTERRUPTOR ENC./APAG.
27	228C2324G001	PRESOSTATO (SELECTOR)
30	189D4154G002	ARNES GABINETE TERMOACTUADOR
33	323B1277P011	MANGUERA PRESOSTATO
36	323B2490G002	PERILLA ROTATORIA (PRESOSTAT
39	323B1448G001	PERILLA CONTROL
45	175D4683G001	MANGUERA LLENADO
50	323B2332P001	INTERRUPTOR DE LIMITE
61	323B1450G001	ARNES ON-OFF
62	323B2471P002	BOTON ENC. APAG.
63	189D4160P001	TAPA PROTECTOR TARJETA
64	323B1449G001	LEDS
66	189D4159P001	BASE PROTECTOR TARJETA
69	189D4158G002	TARJETA ELECTRONICA
75	189D4155G003	ARNES CUBIERTA LID LOCK BITRO
81	189D4162G001	ARNES SELECTOR (PROGRAMAS)
84	228C2139G002	SELECTOR 8 POSICIONES
93	189D2564G003	GABINETE CVO 9 KG BCO C/SLOT E
96	228C2081P001	PATA NIVELADORA
99	228C2107P002N	BLOCAPUERTAS C/SLIDER
108	189D2637P001	TAPA MANGUERRA DE SALIDA
111	228C2206G001	MANGUERA DE DRENADO
114	189D4187P001F	CUBIERTA ECO. BCA TROYA
117	189D3728G007C	ENS. TAPA TROYA
173	189D2917G001	ENS TINA VS SELLOS 8KG AMAZONA
174	189D5136P001	TORRE DE AGUA
179	189D4237G002	ENS. PROPELO
182	189D1180P001	TAPA AGITADOR F.S.D.

185	189D3916G009	ENS. SUSP. 9KG FRONTAL
188	189D3916G010	ENS. SUSP. 9KG POSTERI
191	323B2099P001	CLIP TAPON PRESOSTATO
197	228C2372P001	ROTULA
200	228C2113P001	SELLO TINA
203	323B2127P001	ARANDELA FONDO CANASTA
206	189D1021G002	ENS.ARO BALANCE DOE-2007
209	189D4141P001F	CANASTA 10 KG FABRICADA TROYA
212	189D3725P003	FONDO CANASTA
218	228C2160P001	TUERCA TINA
221	189D2987P001	CUBIERTA TINA
227	189D1626P003	COPA DESP. SUAVISANTE TROYA PR
234	323B2588P001	FILTRO ATRAPAPELUSA CON MALL
242	228C2089P001	TAPON CAJA PRESOSTATO TINA
245	323B2098P001	SELLO TAPON TINA
309	228C1155P001	ABRAZADERA CAPACITOR WEG 15,4
312	228C1147P001	CAPACITOR WEG 45 MF
318	228C2090P001	SELLO BOMBA
321	189D4153P002	MOTOR 1/3 127V,60 HZ
324	189D2652P001	POLEA TRANSMISION
327	228C2115P003	BANDA UNIFICADA
330	323B2052P001	ARANDELA DE FRICCION
333	323B2000P001	ANILLO DE RETENCION
336	189D4169G002	ENS. SOPORTES VS TX
339	323B1279P002	OPRESOR POLEA
345	323B2167P001	REFUERZO MOTOR AMAZ
349	189D3938P001	SOPORTE HORQUILLA
350	323B2560P001	RESORTE HORQUILLA
352	228C2329P001	TERMO-ACTUADOR
354	189D2010P001	CAMBIADOR P/TRANSMISION
355	189D3937P001	HORQUILLA CAMBIADOR
363	323B2332P004	LIMIT SWICTH
366	189D4087P001	BOMBA HANYU 7 Y 9 KGS.
369	189D2645G005	ENS. POLEA MOTOR 11KG LOW COST
372	228C2112P001	ESPACIADOR MOTOR
378	228C2367P001	RESORTE CAMBIADOR
381	323B1390P001	ABRAZADERA BOMBA DOBLE HILO
381	323B1390P001	ABRAZADERA BOMBA DOBLE HILO

453	323B1372P001	TORNILLO AGITADOR
456	8911238P041	TORNILLO FONDO CANASTA
480	323B1193P001	TORNILLO HUB VS CANASTA
489	323B2148P001	TORNILLO SOPORTE SOLENOIDE