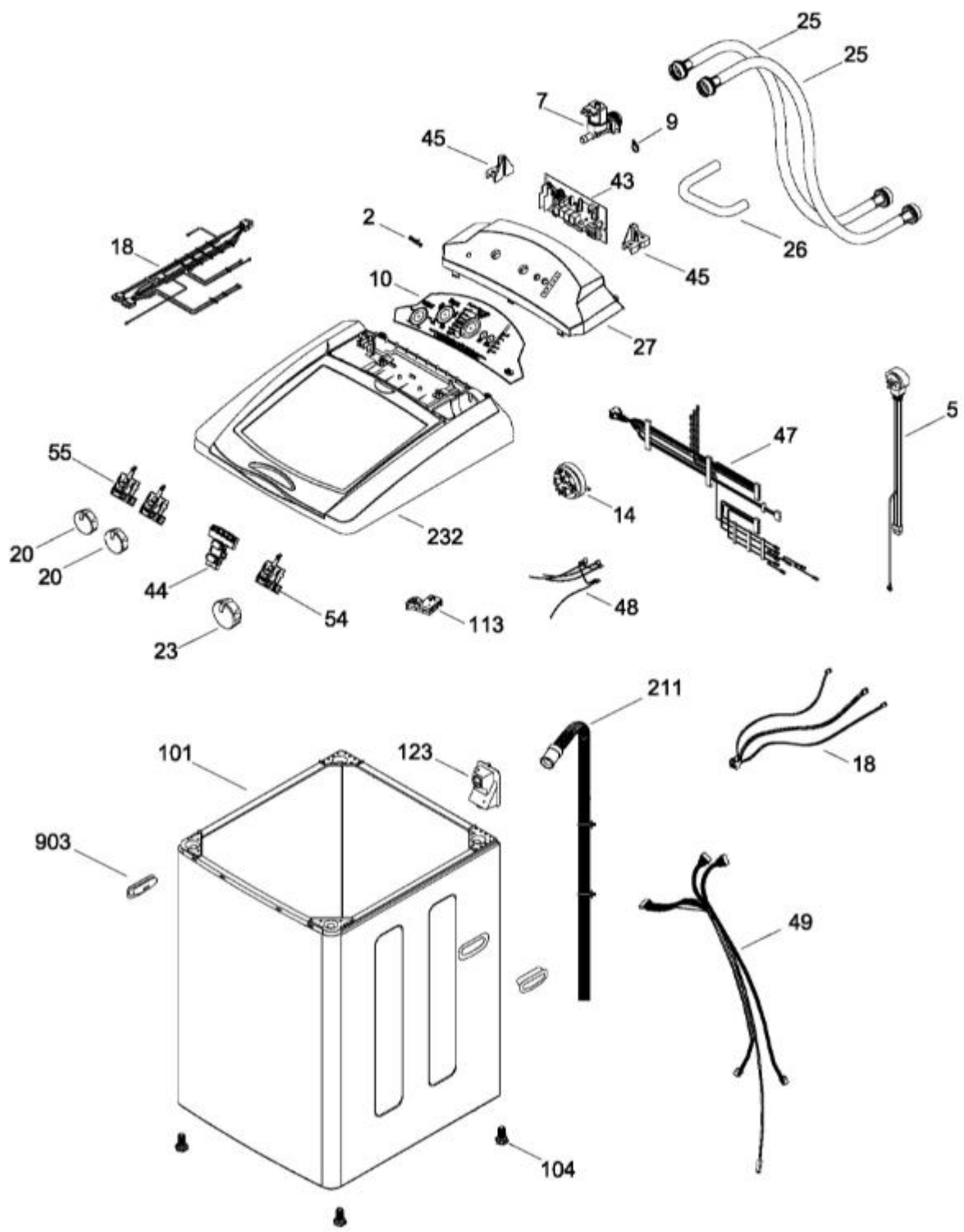


# LAVADORA LMA1083PBAS1

COPETE / BACKSPLASH  
 GABINETE Y CUBIERTA / CABINET & COVER

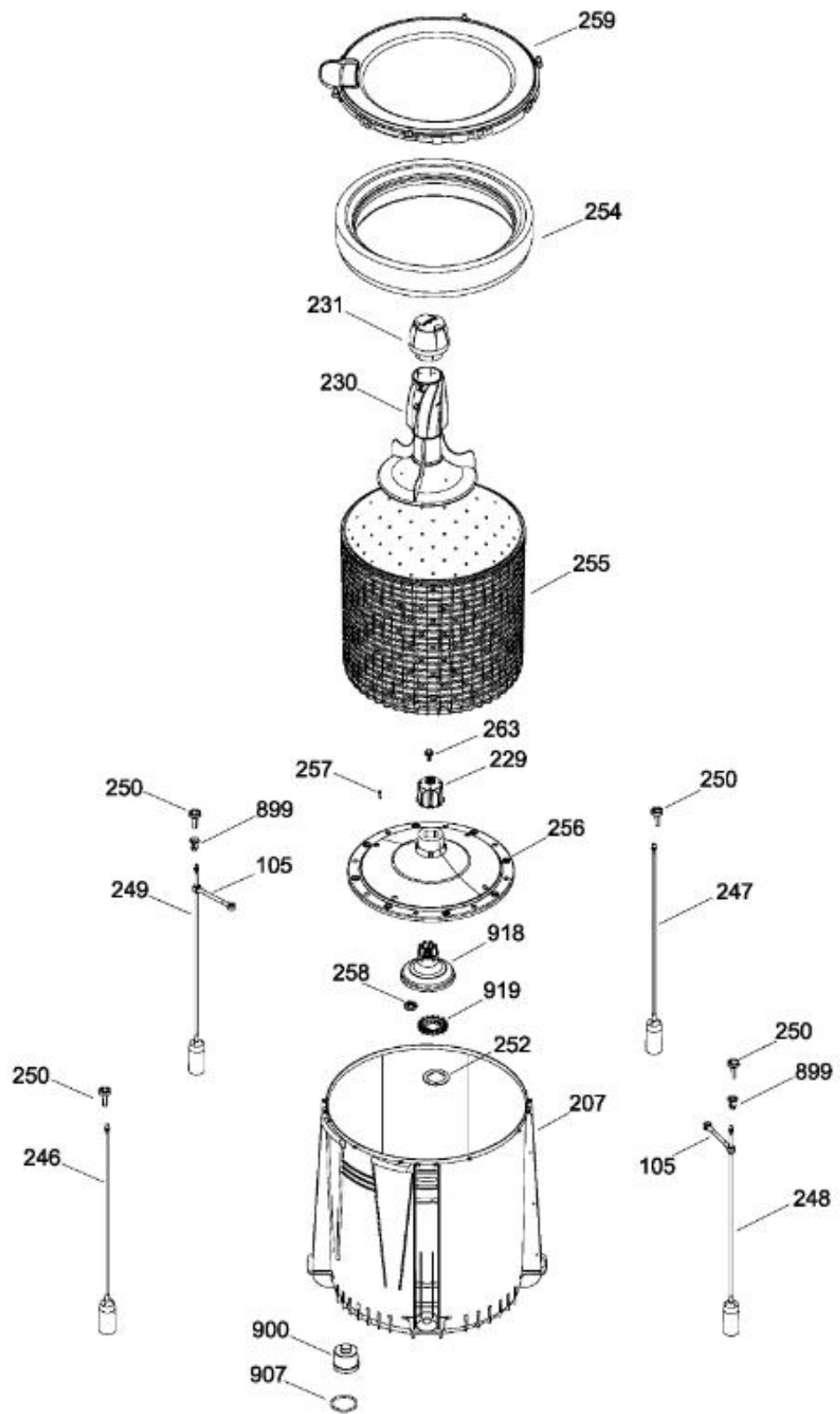
LMA1083PBAS1  
 LMA1083PBS1



# LAVADORA LMA1083PBAS1

PARTES PARA TINA / TUB, BASKET & AGITATOR

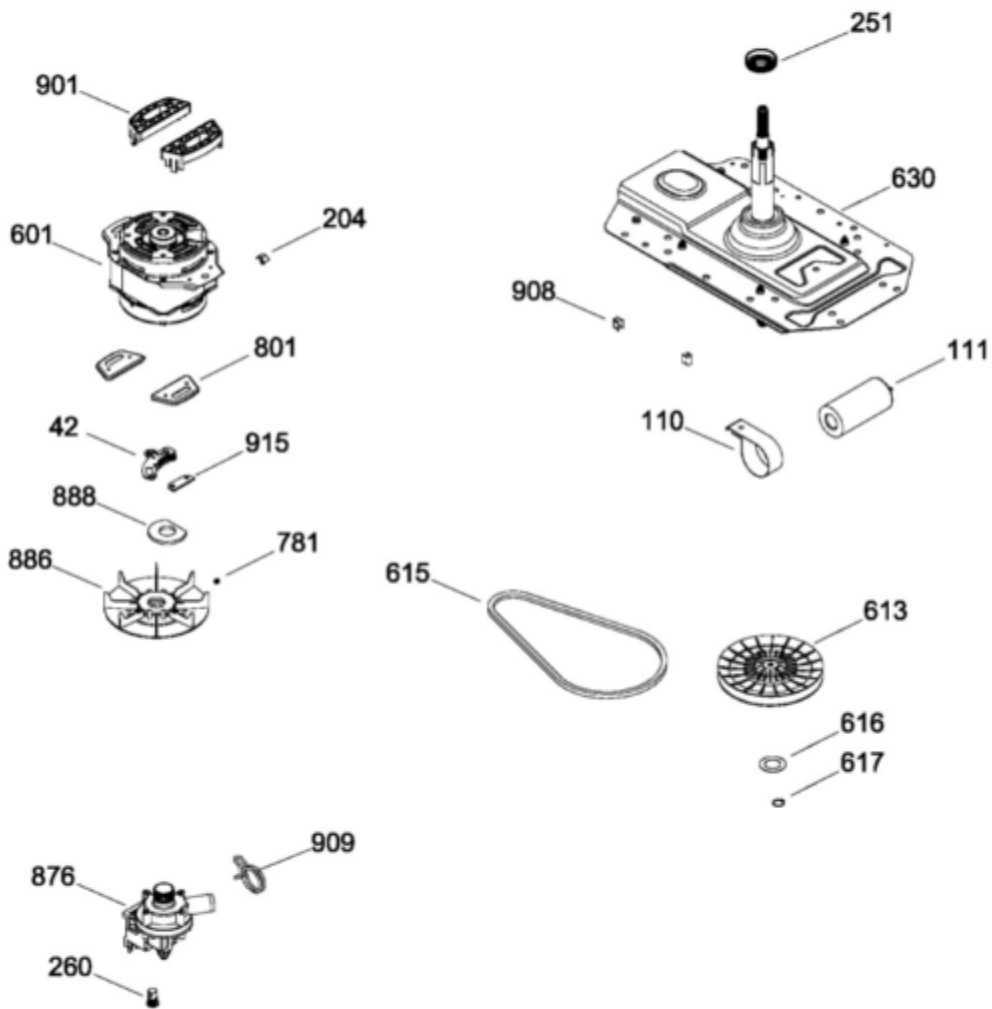
LMA1083PBAS1  
 LMA1083PBS1



# LAVADORA LMA1083PBAS1

SISTEMA MOTRIZ / PUMP & DRIVE COMPONENTS

LMA1083PBAS1  
 LMA1083PBS1





# LAVADORA LMA1083PBAS1

| Guía | Refacción  | Descripción                    |
|------|------------|--------------------------------|
| 2    | WR01A00400 | NAMEPLATE MABE                 |
| 2    | WR01A01249 | NAMEPLATE MABE                 |
| 5    | WW01F00113 | CABLE TOMACORRIENTE            |
| 7    | WW01F01106 | VALVULA                        |
| 7    | WW01F00349 | VALVULA                        |
| 9    | WW01A00002 | ABRAZADERA                     |
| 10   | WW01L00132 | MYLAR LMA1083PBAS0             |
| 14   | WW01F00251 | PRESOSTATO                     |
| 18   | WW01F00154 | ARNES GABINETE                 |
| 20   | WW01L00387 | ENS. PERILLA ROTATORIA         |
| 23   | WW01L00391 | ENS. PERILLA CONTROL           |
| 25   | WW01L01036 | MANGUERA LLENADO NEGRA CON MET |
| 26   | WW01L00380 | MANGUERA DESPACHADOR           |
| 26   | WW01F00598 | MANGUERA DESPACHADOR           |
| 27   | WW01L00125 | PAINEL DE CONTROLE             |
| 42   | WW01A00046 | SOPORTE TARJETA                |
| 42   | WW01F01172 | SOPORTE TARJETA                |
| 42   | WW02F00224 | SOPORTE TARJETA                |
| 43   | WW01F00141 | TARJETA CONTROL PERILLAS       |
| 44   | WW01F00053 | BOTON SELECTOR                 |
| 44   | WW01F00055 | BOTON SELECTOR                 |
| 45   | WW01A00049 | SOPORTE TARJETA                |
| 47   | WW01F00160 | ARNES CUBIERTA                 |
| 48   | WW01F00033 | ARNES PRESOSTATO               |
| 49   | WW01F00078 | ARNES SELECTOR                 |
| 54   | WS01A01627 | SELECTOR                       |
| 55   | WW01F00257 | SELECTOR                       |
| 55   | WW01F00338 | SELECTOR                       |
| 101  | WW01L00063 | ENS. GABINETE                  |
| 104  | WW01L01040 | PATA                           |
| 104  | WW01L00468 | PATA                           |
| 105  | NLA        | LIGA DE SUSPENSION             |
| 110  | WW01A00041 | ABRAZADERA                     |
| 110  | WW01F00342 | ABRAZADERA                     |
| 111  | WW01F00238 | CAPACITOR                      |
| 111  | WW01F00342 | CAPACITOR                      |
| 113  | WW01A00103 | BLOCAPUERTAS ENS C/SLIDER      |



# LAVADORA LMA1083PBAS1

| Guía | Refacción  | Descripción               |
|------|------------|---------------------------|
| 113  | WW01F01553 | BLOCAPUERTAS ENS C/SLIDER |
| 123  | WW01L00079 | TAPA MANGUERA             |
| 204  | WW01L00338 | BOTON MONTAJE             |
| 207  | WW01L00102 | ENS. TINA                 |
| 207  | WW01A00233 | ENS. TINA                 |
| 211  | WW01L00470 | MANGUERA                  |
| 229  | WW01F00836 | COPE AGITADOR             |
| 229  | WW01F00360 | COPE AGITADOR             |
| 230  | WW01L00164 | ENS. AGITADOR             |
| 231  | WW01L00134 | TAPA AGITADOR             |
| 232  | NLA        | ENS CUBIERTA-TAPA24"      |
| 246  | WW01L00973 | ENS. VARILLA              |
| 247  | WW01L00975 | ENS. VARILLA              |
| 248  | WW01L00974 | ENS. VARILLA              |
| 249  | WW01L00976 | ENS. VARILLA              |
| 250  | WW01F00323 | ROTULA SUPERIOR           |
| 251  | WS01L09224 | SELLO TINA                |
| 252  | WW01A00080 | ARANDELA                  |
| 254  | WW01L00009 | ARO BALANCE ENS.          |
| 255  | WW01L00007 | CANASTA                   |
| 256  | WW01L01015 | FONDO CANASTA             |
| 256  | WW01A00572 | FONDO CANASTA             |
| 257  | WW01A00099 | TORNILLO FONDO CANASTA    |
| 258  | WW01A00048 | TUERCA AMAZ IZQ.          |
| 259  | WW01F00164 | CUBIERTA TINA             |
| 260  | WW01L00288 | SELLO BOMBA               |
| 263  | WW01A00064 | TORNILLO C/GROMET COPLE   |
| 263  | WW01A00064 | TORNILLO C/GROMET COPLE   |
| 601  | WW01F00106 | MOTOR                     |
| 601  | WW01F00331 | MOTOR                     |
| 601  | WW01F01173 | ENS. MOTOR                |
| 613  | WW01F00043 | POLEA TRANSMISION         |
| 615  | WR01F02389 | BANDA 3L V AMAZONAS       |
| 615  | WW01F00345 | BANDA 3L V AMAZONAS       |
| 615  | WW01F00345 | BANDA UNIFICADA           |
| 616  | WW01A00071 | ARANDELA DE FRICCION      |
| 617  | WW01A00069 | ANILLO DE RETENCION       |



# LAVADORA LMA1083PBAS1

| Guía | Refacción  | Descripción            |
|------|------------|------------------------|
| 630  | WW01F00135 | ENS. TX CON SOPORTE LC |
| 781  | WW01F00272 | OPRESOR POLEA          |
| 801  | WW01L00355 | REFUERZO MOTOR         |
| 876  | WW01F00199 | BOMBA DE DESAGUE       |
| 886  | WW01F00039 | ENS. POLEA MOTOR       |
| 886  | WW01F00357 | ENS. POLEA MOTOR       |
| 888  | WW01A00072 | ANILLO MAGNETO         |
| 899  | WW01A00050 | BUJE                   |
| 900  | WW01L00287 | TAPON CAJA PRESOSTATO  |
| 901  | WW01F00256 | ESPACIADOR MOTOR       |
| 901  | WW01F00256 | ESPACIADOR MOTOR       |
| 903  | WW01L00291 | JALADERA               |
| 907  | WW01F00277 | O-RING                 |
| 908  | WW01A00079 | CLIP TAPON PRESOSTATO  |
| 909  | WW01A00104 | ABRAZADERA BOMBA       |
| 915  | WW01F00362 | TARJETA SENSOR         |
| 915  | WW01F01172 | TARJETA SENSOR         |
| 915  | WW02F00224 | TARJETA SENSOR         |
| 918  | WW01L00157 | ENS. FLOTADOR          |
| 919  | WW01A00353 | EMBRAGUE FIJO          |