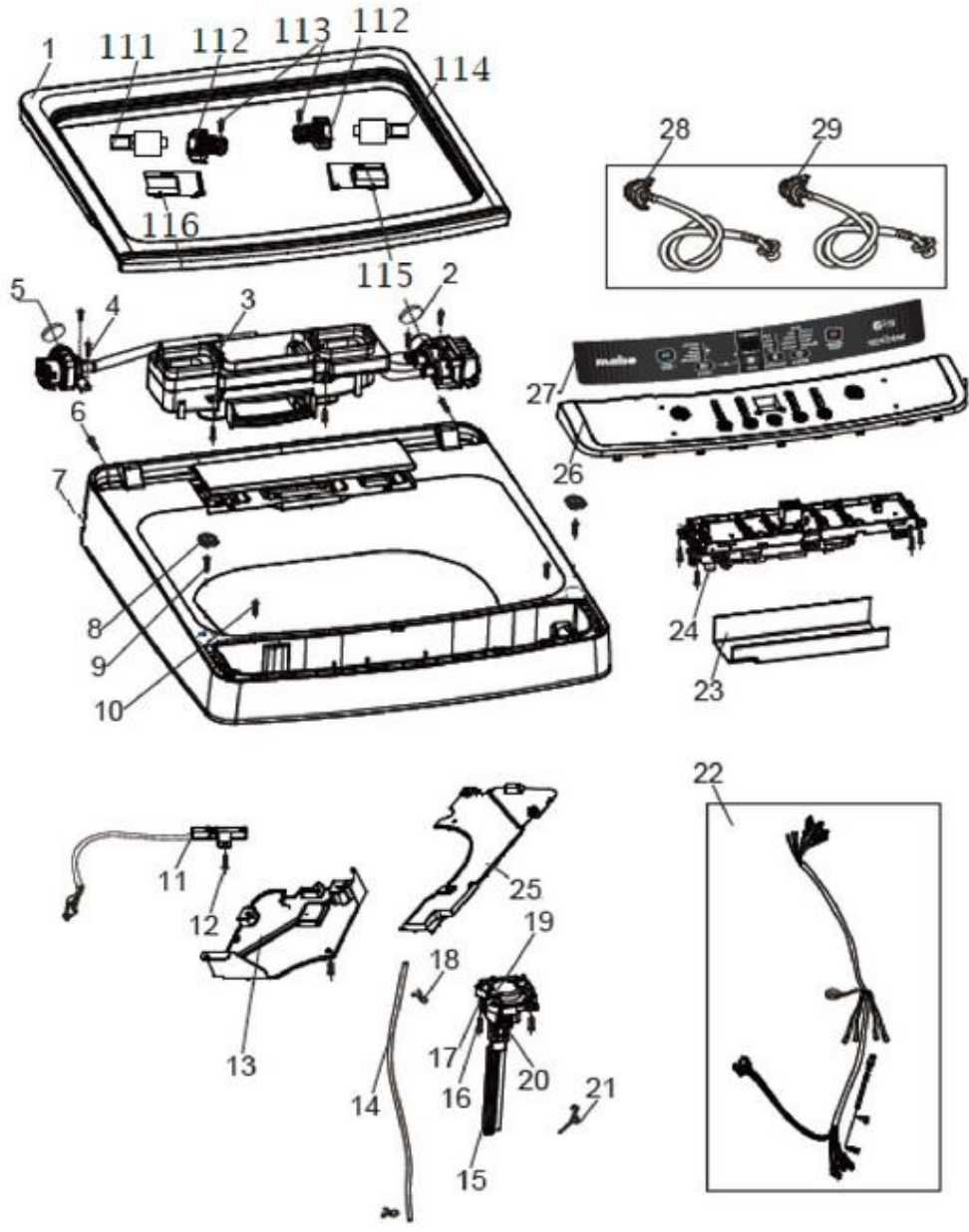


LAVADORA LMA1120WBCL0

SUB ENSAMBLE DE CUBIERTA

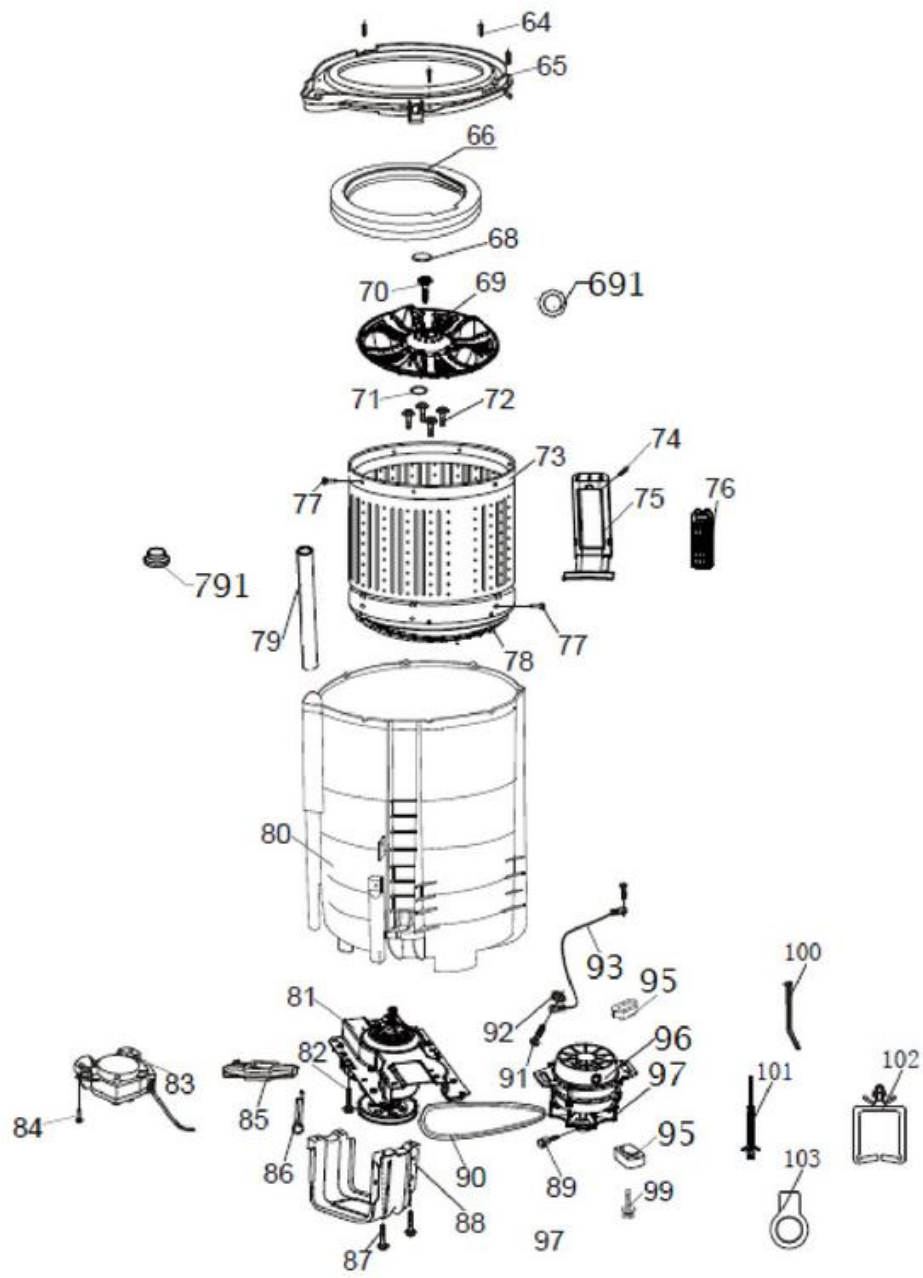
LMA1120WBCL0



LAVADORA LMA1120WBCL0

SUB ENSAMBLE TINA, CANASTA Y SISTEMA IMPULSOR

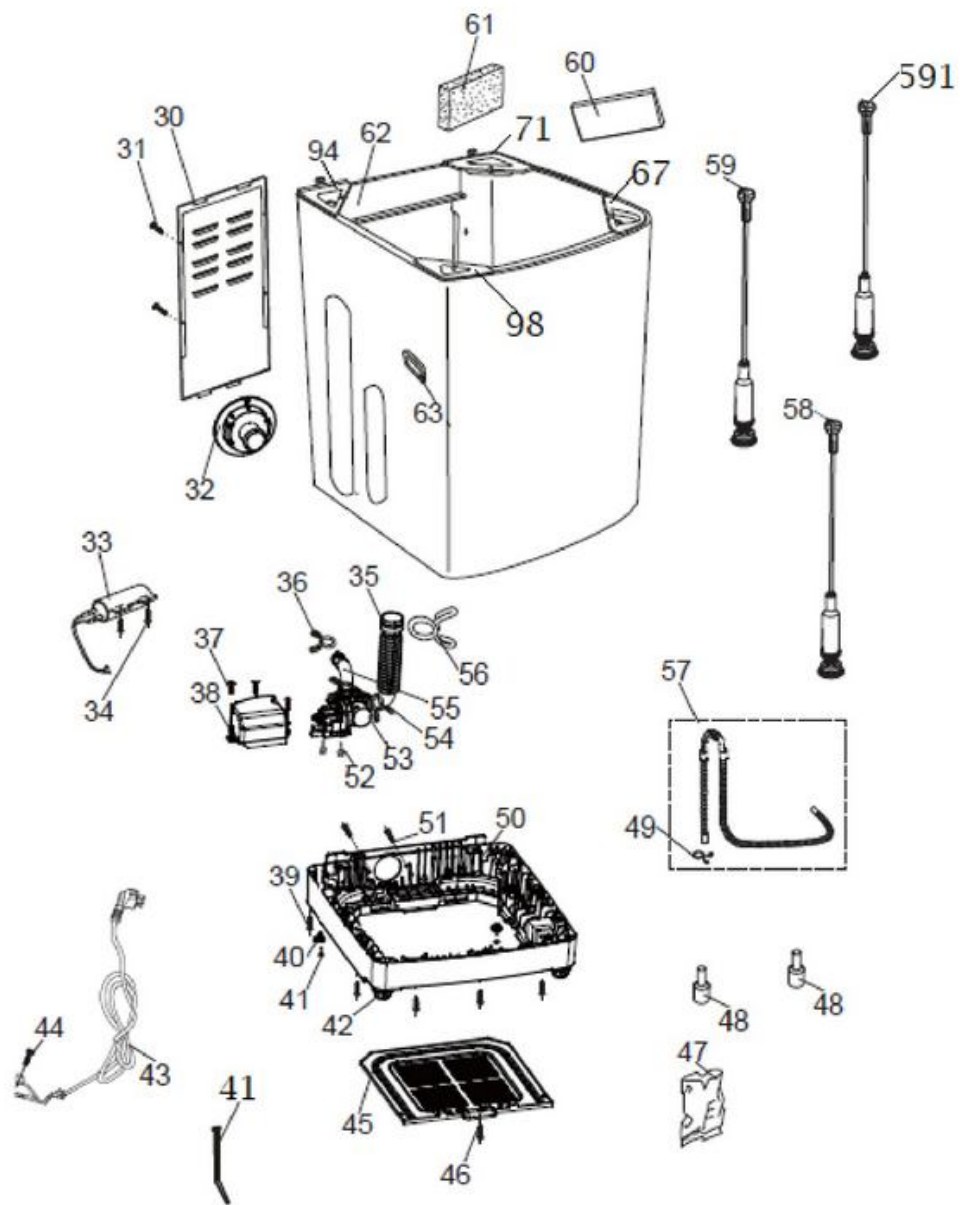
LMA1120WBCL0



LAVADORA LMA1120WBCL0

GABINETE

LMA1120WBCL0





LAVADORA LMA1120WBCL0

Guía	Refacción	Descripción
1	WG04L06217	TOP LID
3	WG04F10973	WATER BOX COMPONENT
5	WG04F10926	EMPAQUE ABSORCIÓN AGUA
7	WG04F10941	CONTROL PANEL SEAT
8	WG04L06205	SCREW COVER
10	'00330802053	TAPPING SCREW
11	WG04F10932	DRY REED PIPE COMPONENTS
11	WG04F10872	DAMP
12	WG03A02556	PERNO SE ORIENTACION
13	WG04L06729	LIFT SPATTER PROOF BOARD
14	WG04F10873	DAMP
14	WG04L06223	CONNECTING PIPE
15	WG04L06199	HEATING PIECE FIXED BLOCK
15	WG04F10927	CONTROL ROD
16	WG04L06200	HEATING PIECE FIXED BLOCK
17	WG04F10937	WATER LEVEL SENSOR
18	WG04A03849	CONNECTING PIPE CLAMP
19	WG04F10876	WATER LEVEL SENSOR BOX
20	WG04F10924	CONTROL ROD SEAT
21	WG04F10928	SMALL REED
22	WG04F10951	WIRE UNIT
23	WG04L06761	SHIELD
24	WG04F10963	SEQUENCER
25	WG04F11846	RIGHT SPATTER PROOF BOARD
26	WG04F10881	FRONT CONTROL BOARD
27	WG04L06728	CONTROL PANEL FILM
28	WG04F10423	WATER INLET PIPE COMPONENTS
29	WG04F10424	WATER INLET PIPE COMPONENTS
30	WG04L06189	BACK COVER
31	WG04A00448	TAPPING SCREW
32	WG04F10867	DRAIN BUSHING
33	WG04F10968	CAPACITOR
35	WG04F10890	DRAINAGE EVEN TUBE
36	WG04A04132	DRAIN HOSE CLAMP
38	WG04L06210	PROTECTIVE COVER
39	WG04A00449	TAPPING SCREW
40	WG04F10888	FIXED FOOT



LAVADORA LMA1120WBCL0

Guía	Refacción	Descripción
42	WG04F10909	ADJUSTABLE FEET COMPONENT
43	WG04F11029	POWER CORD
45	WG04L06193	BOTTOM COVER
46	WG04A00316	TORNILLO AUTORROSCANTE
47	WG04A03829	SAFEGUARD BAG
48	WG04L01080	BUJE A
49	WG04F10716	DRAIN HOSE CLAMP
50	WG04L06219	BASE FRAME
53	WG04F10971	DRAIN PUMP
55	WG04F10889	WATER INLET PIPE COMPONENTS
56	WG04A04133	DRAIN HOSE CLAMP
57	WG04F10620	DRAIN HOSE
58	WG04F10899	DAMPING COMPONENT
59	WG04F10425	DAMPING COMPONENT
61	WG04A04497	JUNTA TAPÓN GABINETE
62	0030810621PA	CABINET
63	WG04L06202	CABINET HANDLE
64	WG04A03752	TAPPING SCREW
65	WG04F10868	OUTER TUB COVER
66	WG04F10908	BALANCE RING COMPONENT
67	WG04A04494	FRONT REAR ANGLE STIFFENER %uFF08RIGHT)
68	WG04L06192	PULSATOR COVER
69	WG04F10878	PULSATOR
70	WG04A00352	TORNILLO DE PROPELA
71	WG04A04496	BACK REAR ANGLE STIFFENER %uFF08RIGHT)
72	WG04A03828	TAPPING SCREW
73	WG04F10916	INNER TUB COMPONENT
74	WG04A03949	TAPPING SCREW
75	WG04L06209	FILTER COVER
76	WG04F10910	LINT FILTER
77	'00330810035	TAPPING SCREW
78	WG04F10879	BOTTOM OF INNER TUB
79	WG04F10870	OVERFLOW CONNECT PIPE
80	WG04F10866	OUTER TUB
81	WG04F10905	DAMPING CLUTCH
83	WG04F10437	DRAIN MOTOR
84	WG04A03948	TAPPING SCREW



LAVADORA LMA1120WBCL0

Guía	Refacción	Descripción
85	WG04A03812	CONNECTING ARM
86	WG04L06475	COTTER PIN
87	WG04A03753	TAPPING SCREW
88	WG04A03809	U-SHIELD
89	WG04F00075	PERNO
90	WG04A03823	V-BELT
91	WG04A04113	TAPPING SCREW
92	WG04F11486	SELLO
93	WG04F11778	EARTHING LINE
94	WG04A04495	BACK REAR ANGLE STIFFENER (LEFT)
95	WG04F11317	MOTOR INSULATION GASKET, LOWER
96	WG04F10966	MOTOR
97	WG04F11080	RADIATING PULLEY
98	WG04A04493	FRANT REAR ANGLE STIFFENER (LEFT)
99	WG04A04040	MOTOR BOLT
100	WG04F01459	BANDA DE BLOQUEO
101	WG04A03814	WIRE HOLDER
102	WG04A03813	LONG LOCKING BAND
103	WG04A03818	SMALL BLOCK
481	WG04L00592	BUJE B
591	WG04F10900	DAMPING COMPONENT
691	WG04L05957	SELLO PULSADOR
791	WG04L06220	GAS CELL COVER