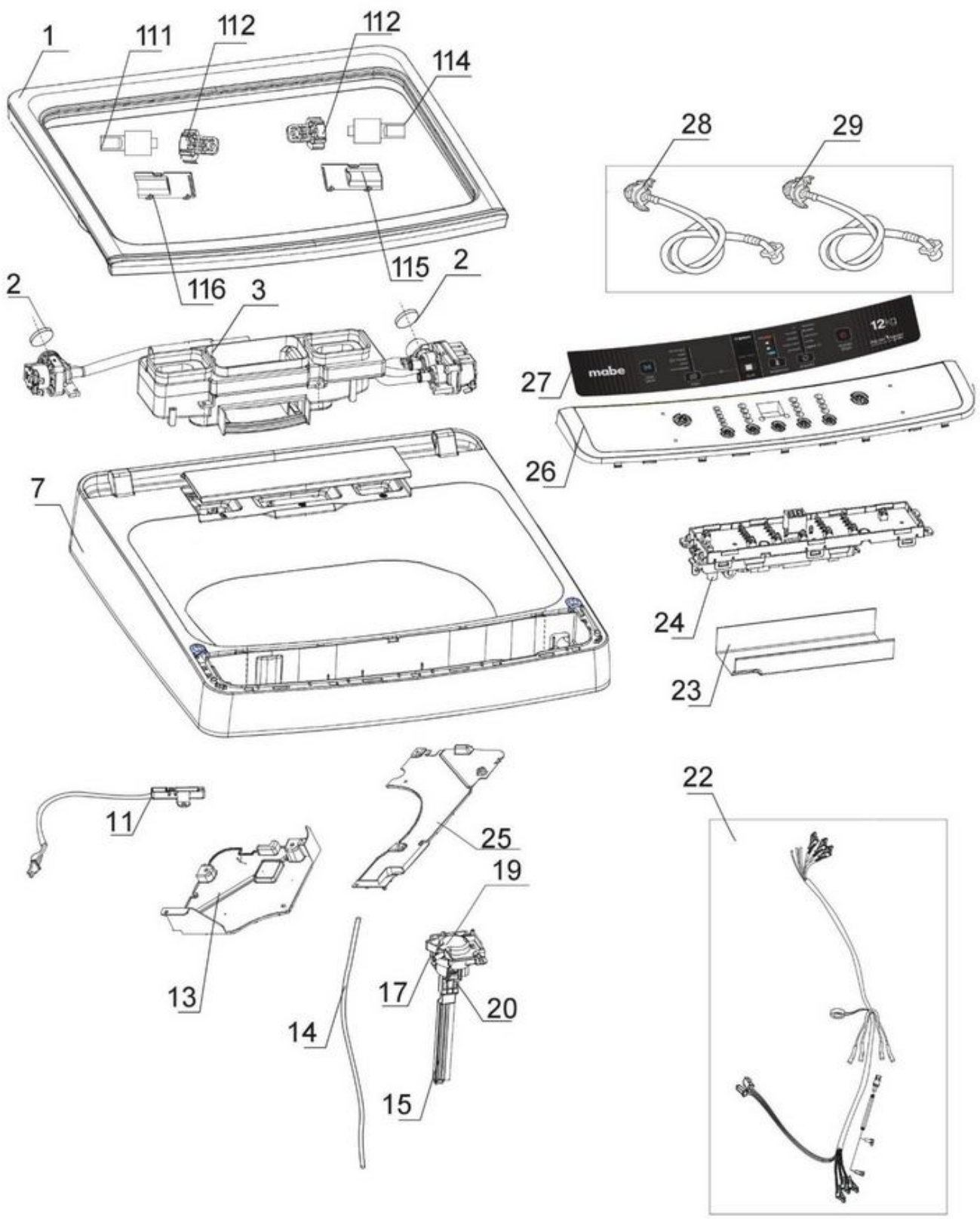


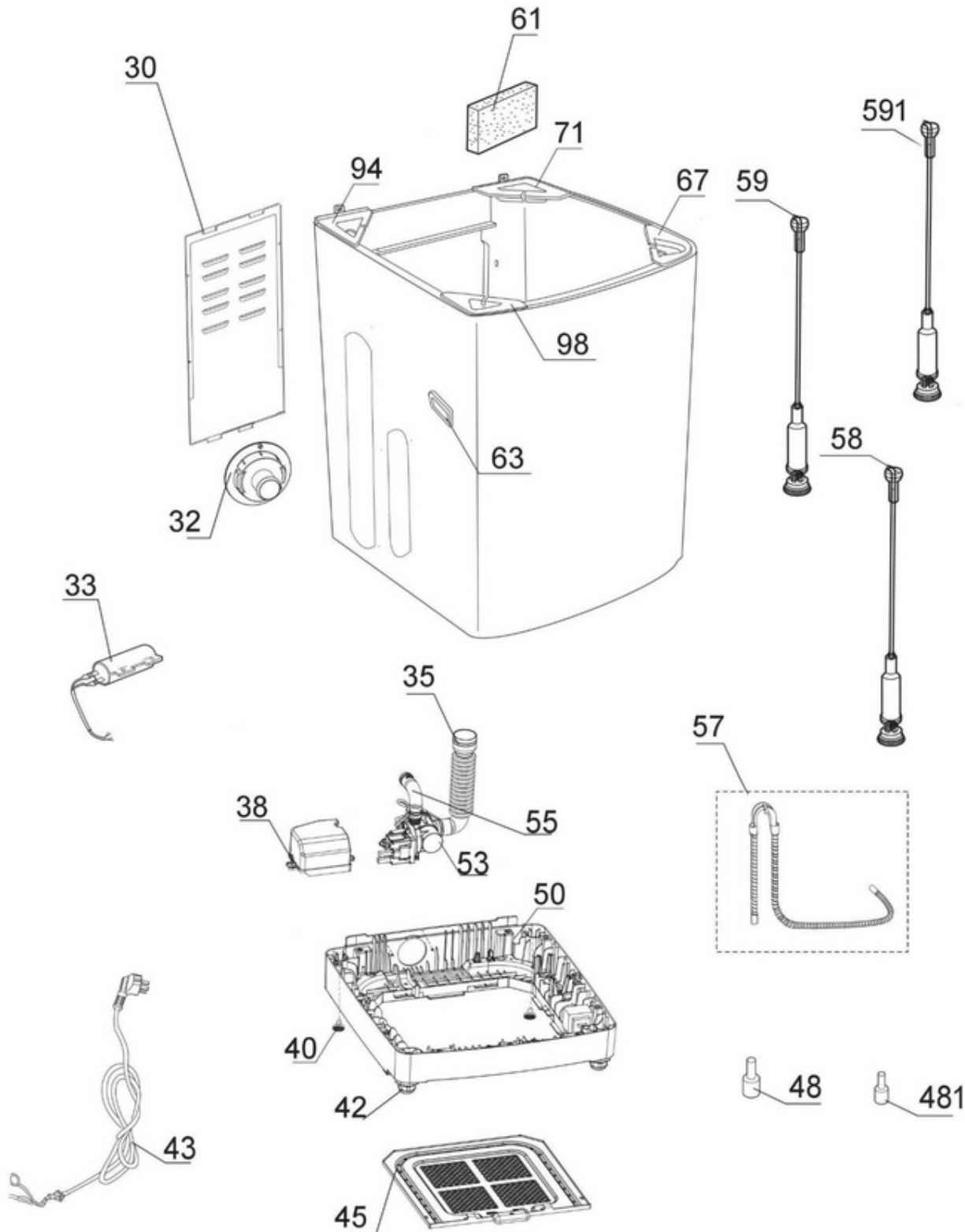
# LAVADORA LMA1120WGCL0

LMA1120WGCL0



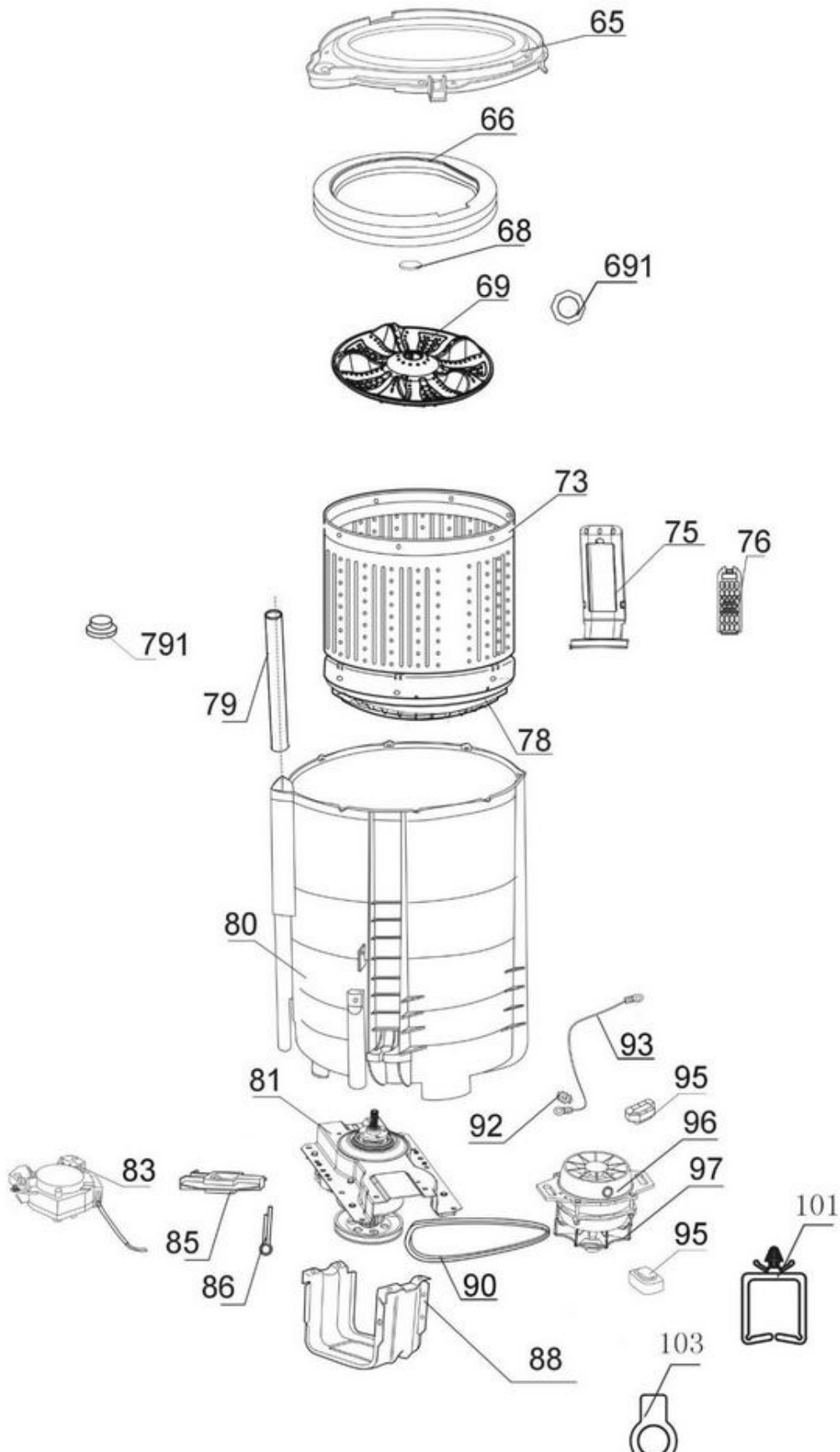
# LAVADORA LMA1120WGCL0

LMA1120WGCL0



48 481

# LAVADORA LMA1120WGCL0





# LAVADORA LMA1120WGCL0

Guía	Refacción	Descripción
1	WG04L06217	TOP LID
2	WG04F10926	EMPAQUE ABSORCIÓN AGUA
3	WG04F10973	WATER BOX COMPONENT
7	WG04L06374	PANEL DE CONTROL
11	WG04F10932	DRY REED PIPE COMPONENTS
11	WG04F10872	DAMP
13	WG04L06729	LIFT SPATTER PROOF BOARD
14	WG04F10873	DAMP
14	WG04L06223	CONNECTING PIPE
15	WG04L06199	HEATING PIECE FIXED BLOCK
15	WG04F10927	CONTROL ROD
16	WG04L06200	HEATING PIECE FIXED BLOCK
17	WG04F10937	WATER LEVEL SENSOR
19	WG04F10876	WATER LEVEL SENSOR BOX
20	WG04F10924	CONTROL ROD SEAT
21	WG03A02556	PERNO SE ORIENTACION
22	WG04F10951	WIRE UNIT
23	WG04L06761	SHIELD
24	WG04F10963	SEQUENCER
25	WG04F11846	RIGHT SPATTER PROOF BOARD
26	WG04F10881	FRONT CONTROL BOARD
27	WG04L06728	CONTROL PANEL FILM
28	WG04F10423	WATER INLET PIPE COMPONENTS
29	WG04F10424	WATER INLET PIPE COMPONENTS
30	WG04L06189	BACK COVER
32	WG04F10867	DRAIN BUSHING
33	WG04F10968	CAPACITOR
35	WG04F10890	DRAINAGE EVEN TUBE
38	WG04L06210	PROTECTIVE COVER
40	WG04F10888	FIXED FOOT
42	WG04F10909	ADJUSTABLE FEET COMPONENT
43	WG04F11029	POWER CORD
43	WG04L06473	MANIJA DE CABINETE
45	WG04L06193	BOTTOM COVER
50	WG04F11892	COMPONENTE DE BASE INFERIOR
53	WG04F10971	DRAIN PUMP
55	WG04F10889	WATER INLET PIPE COMPONENTS



# LAVADORA LMA1120WGCL0

Guía	Refacción	Descripción
57	WG04F10620	DRAIN HOSE
58	WG04F10899	DAMPING COMPONENT
59	WG04F10425	DAMPING COMPONENT
61	WG04A04497	JUNTA TAPÓN GABINETE
65	WG04F10868	OUTER TUB COVER
66	WG04F10908	BALANCE RING COMPONENT
67	WG04A04494	FRONT REAR ANGLE STIFFENER %uFF08RIGHT)
68	WG04L06192	PULSATOR COVER
69	WG04F10878	PULSATOR
71	WG04A04496	BACK REAR ANGLE STIFFENER %uFF08RIGHT)
71	WG04L05957	SELLO PULSADOR
73	WG04F10916	INNER TUB COMPONENT
75	WG04L06209	FILTER COVER
76	WG04F10910	LINT FILTER
78	WG04F10879	BOTTOM OF INNER TUB
79	WG04F10870	OVERFLOW CONNECT PIPE
80	WG04F10866	OUTER TUB
81	WG04F10905	DAMPING CLUTCH
83	WG04F10437	DRAIN MOTOR
85	WG04A03812	CONNECTING ARM
86	WG04L06475	COTTER PIN
88	WG04A03809	U-SHIELD
90	WG04A03823	V-BELT
92	WG04F11486	SELLO
93	WG04L06220	GAS CELL COVER
94	WG04F11778	EARTHING LINE
94	WG04A04495	BACK REAR ANGLE STIFFENER (LEFT)
95	WG04F11317	MOTOR INSULATION GASKET, LOWER
96	WG04F10966	MOTOR
98	WG04F11080	RADIATING PULLEY
98	WG04A04493	FRANT REAR ANGLE STIFFENER (LEFT)
101	WG04A03814	WIRE HOLDER
103	WG04A03818	SMALL BLOCK
106	WG04L00592	BUJE B
108	WG04L01080	BUJE A
591	WG04F10900	DAMPING COMPONENT