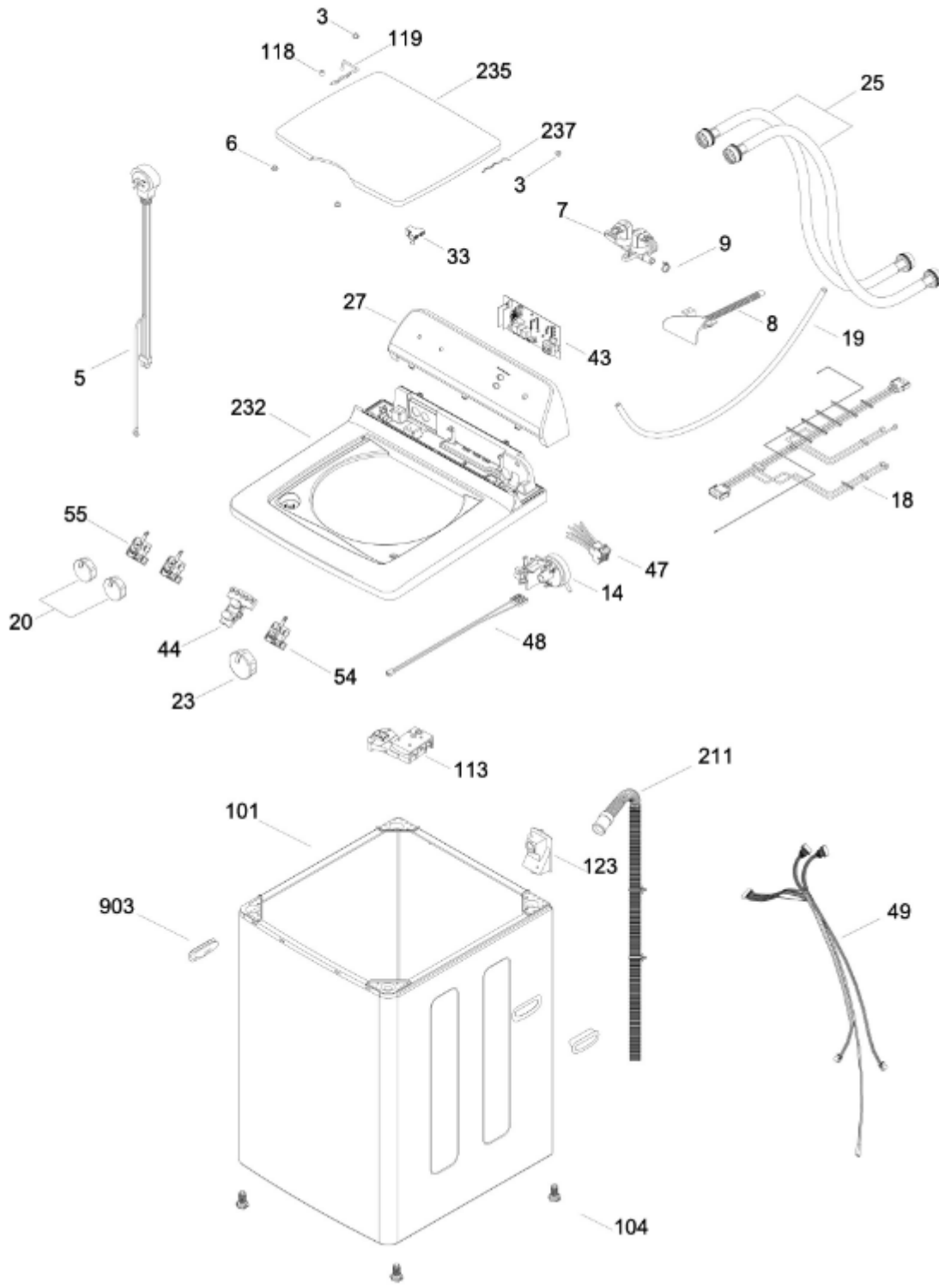


# LAVADORA LMA113PBE2

COPETE / BACKSPLASH  
 GABINETE Y CUBIERTA / CABINET & COVER

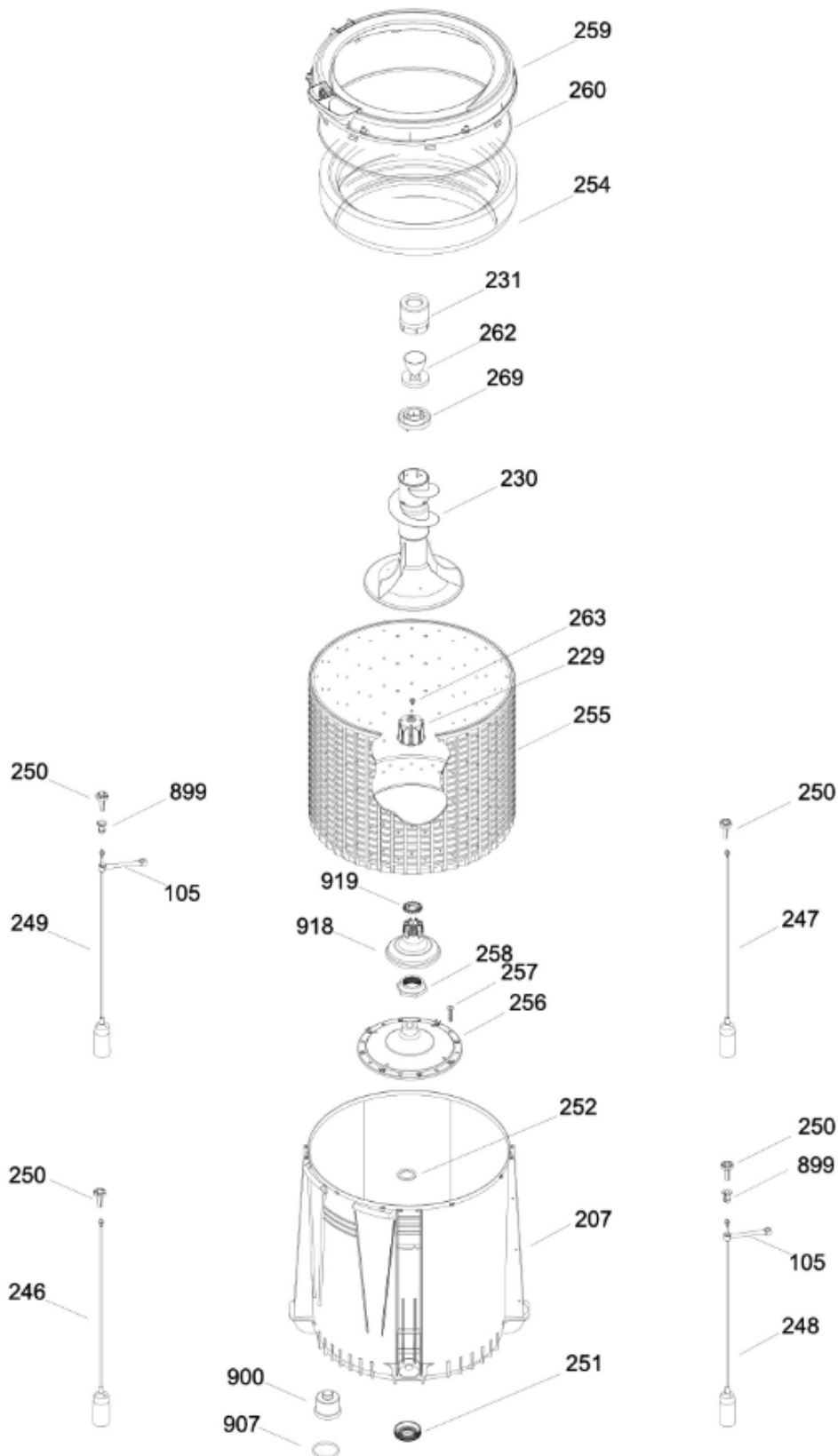
LMA113PBE2



# LAVADORA LMA113PBE2

PARTES PARA TINA / TUB, BASKET & AGITATOR

LMA113PBE2

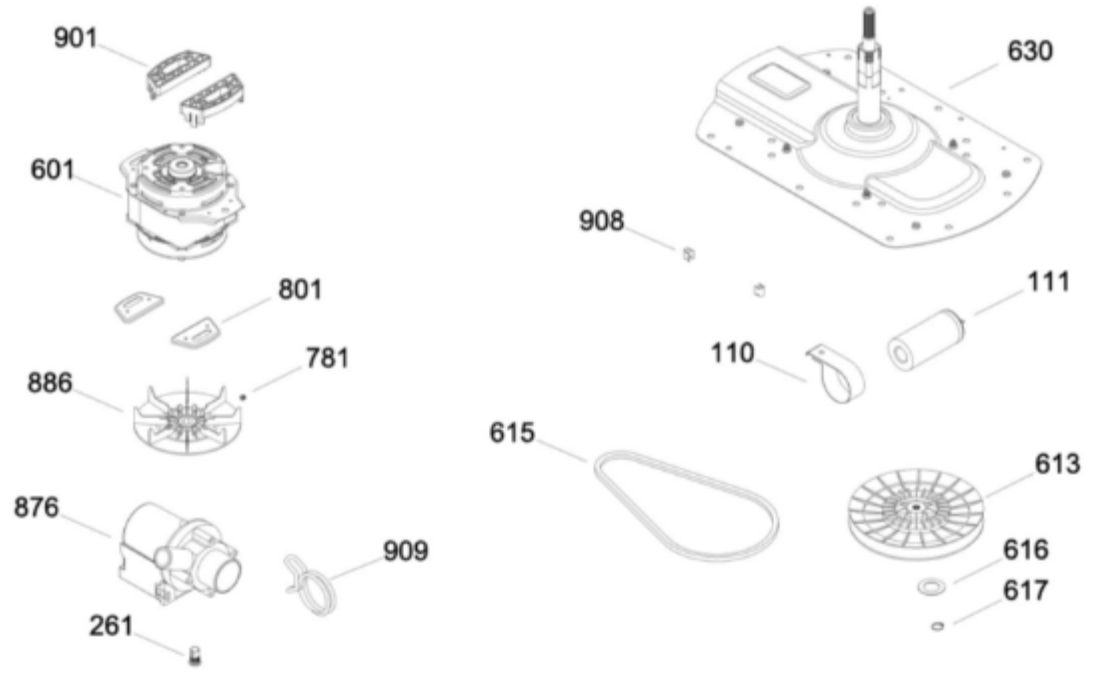




# LAVADORA LMA113PBE2

SISTEMA MOTRIZ / PUMP & DRIVE COMPONENTS

LMA113PBE2





# LAVADORA LMA113PBE2

| Guía | Refacción  | Descripción                    |
|------|------------|--------------------------------|
| 3    | WW01A00085 | BUJE BISAGRA                   |
| 5    | WW01F00113 | CABLE TOMACORRIENTE            |
| 6    | WR01F03137 | PROTECTOR TAPA AMAZONA         |
| 7    | WW01F00321 | ENS. VALVULA DE AGUA           |
| 8    | WW01L00359 | ENTRADA DE AGUA                |
| 9    | WW01A00002 | ABRAZADERA                     |
| 14   | WW01F00260 | PRESOSTATO                     |
| 18   | WW01F00156 | ARNES GABINETE                 |
| 19   | WW03F00246 | MANGUERA PRESOSTATO LARGA      |
| 20   | WW01L00388 | ENS. PERILLA ROT. MABE BCA.    |
| 23   | WW01L00392 | ENS. PERILLA CONTROL MABE BCA. |
| 25   | WW01L01036 | MANGUERA LLENADO NEGRA CON MET |
| 27   | NLA        | ENS. COPETE-HT 3P BCO MABE     |
| 33   | WW01F00346 | ACTUADOR                       |
| 43   | WW01F00147 | TARJETA CONTROL PERILLAS       |
| 44   | WW01F00058 | BOTON SELECTOR                 |
| 44   | WW01F01503 | BOTON SELECTOR                 |
| 47   | WW01F00162 | ARNES CUBIERTA                 |
| 48   | WW01F00165 | ARNES PRESOSTATO               |
| 49   | WW01F00181 | ARNES SELECTOR                 |
| 54   | WS01A01627 | SELECTOR                       |
| 55   | WW01F00926 | SELECTOR                       |
| 55   | WW01F00339 | SELECTOR                       |
| 101  | WW01L00989 | ENS. GABINETE 10KG CURVO       |
| 101  | WW01L00498 | ENS. GABINETE 10KG CURVO       |
| 104  | WW01L01040 | PATA                           |
| 104  | WW01L00468 | PATA                           |
| 105  | WW01A00361 | LIGA                           |
| 110  | WW01A00041 | ABRAZADERA                     |
| 110  | WW01F00342 | ABRAZADERA                     |
| 111  | WW01F00238 | CAPACITOR                      |
| 111  | WW01F00342 | CAPACITOR                      |
| 113  | WW01A00103 | BLOCAPUERTAS ENS C/SLIDER      |
| 113  | WW01F01553 | BLOCAPUERTAS ENS C/SLIDER      |
| 118  | WW01L00335 | TAPON BISAGRA                  |
| 119  | WW01L00001 | BISAGRA                        |
| 123  | WW01L00079 | TAPA MANGUERA                  |



# LAVADORA LMA113PBE2

| Guía | Refacción  | Descripción                    |
|------|------------|--------------------------------|
| 207  | WW01L00915 | TINA 11 Y 13 KGS.AMAZONAS      |
| 207  | WW01L01119 | TINA 11 Y 13 KGS.AMAZONAS      |
| 211  | WW01L00470 | MANGUERA                       |
| 229  | WW01F00836 | COPE AGITADOR                  |
| 229  | WW01F00360 | COPE AGITADOR                  |
| 230  | WW01L00945 | ENS. AGITADOR                  |
| 231  | WW01L00431 | TAPA FSD                       |
| 232  | WW01L00440 | CUBIERTA                       |
| 232  | WW01L00101 | CUBIERTA                       |
| 235  | WW01L00979 | ENS. TAPA                      |
| 237  | WW01L00002 | BISAGRA                        |
| 246  | WW01F00945 | ENS. VARILLA                   |
| 247  | WW01F00946 | ENS. VARILLA                   |
| 247  | WW01L00499 | ENS. VARILLA                   |
| 248  | WW01F00947 | ENS. VARILLA                   |
| 249  | WW01F00948 | ENS. VARILLA                   |
| 249  | WW01L00499 | ENS. VARILLA                   |
| 250  | WW01F00323 | ROTULA SUPERIOR                |
| 251  | WS01L09224 | SELLO TINA                     |
| 252  | WW01A00080 | ARANDELA                       |
| 254  | WW01L00430 | ENS. ANILLO BALANCEO           |
| 254  | WW01L01503 | ENS. ANILLO BALANCEO           |
| 255  | WW01L00023 | CANASTA SUPER GDE              |
| 256  | WW01L01015 | FONDO CANASTA                  |
| 256  | WW01A00572 | FONDO CANASTA                  |
| 257  | WW01A00099 | TORNILLO FONDO CANASTA         |
| 258  | WW01A00048 | TUERCA AMAZ IZQ.               |
| 259  | WW01F00066 | CUBIERTA TINA                  |
| 259  | WW01F00066 | CUBIERTA TINA                  |
| 260  | WW01L00467 | SELLO CUBIERTA TINA            |
| 261  | WW01L00295 | SELLO BOMBA                    |
| 262  | WW01L00432 | COPA DESP. SUAVIZANTE          |
| 262  | WW01L00432 | COPA SUAVIZANTE AZUL           |
| 263  | WW01A00064 | TORNILLO C/GROMET COPLE        |
| 263  | WW01A00064 | TORNILLO C/GROMET COPLE        |
| 269  | WW01L00433 | DOSIFICADOR DE SUAVIZANTE MAQU |
| 601  | WW01F00106 | MOTOR                          |



# LAVADORA LMA113PBE2

| Guía | Refacción    | Descripción                    |
|------|--------------|--------------------------------|
| 601  | WW01F00331   | MOTOR                          |
| 601  | WW01F01173   | ENS. MOTOR                     |
| 601  | WW01F00331   | MOTOR 127V//60HZ               |
| 601  | WW01F01173   | ENS. MOTOR                     |
| 613  | WW01F00043   | POLEA TRANSMISION              |
| 615  | WR01F02389   | BANDA 3L V AMAZONAS            |
| 615  | WW01F00345   | BANDA 3L V AMAZONAS            |
| 615  | WW01F00345   | BANDA UNIFICADA                |
| 616  | WW01A00071   | ARANDELA DE FRICCION           |
| 617  | WW01A00069   | ANILLO DE RETENCION            |
| 630  | WW01F00134   | SOPORTE LOW CO                 |
| 781  | WW01F00272   | OPRESOR POLEA                  |
| 801  | WW01L00355   | REFUERZO MOTOR                 |
| 876  | WW01F00116   | BOMBA                          |
| 886  | 189D2645G005 | ENS. POLEA MOTOR 11KG LOW COST |
| 899  | WW01A00050   | BUJE                           |
| 900  | WW01L00287   | TAPON CAJA PRESOSTATO          |
| 901  | WW01F00256   | ESPACIADOR MOTOR               |
| 901  | WW01F00256   | ESPACIADOR MOTOR               |
| 903  | WW01L00291   | JALADERA                       |
| 907  | WW01F00277   | O-RING                         |
| 908  | WW01A00079   | CLIP TAPON PRESOSTATO          |
| 909  | WW01A00104   | ABRAZADERA BOMBA               |
| 918  | WW01L00157   | ENS. FLOTADOR                  |
| 919  | WW01A00353   | EMBRAGUE FIJO                  |