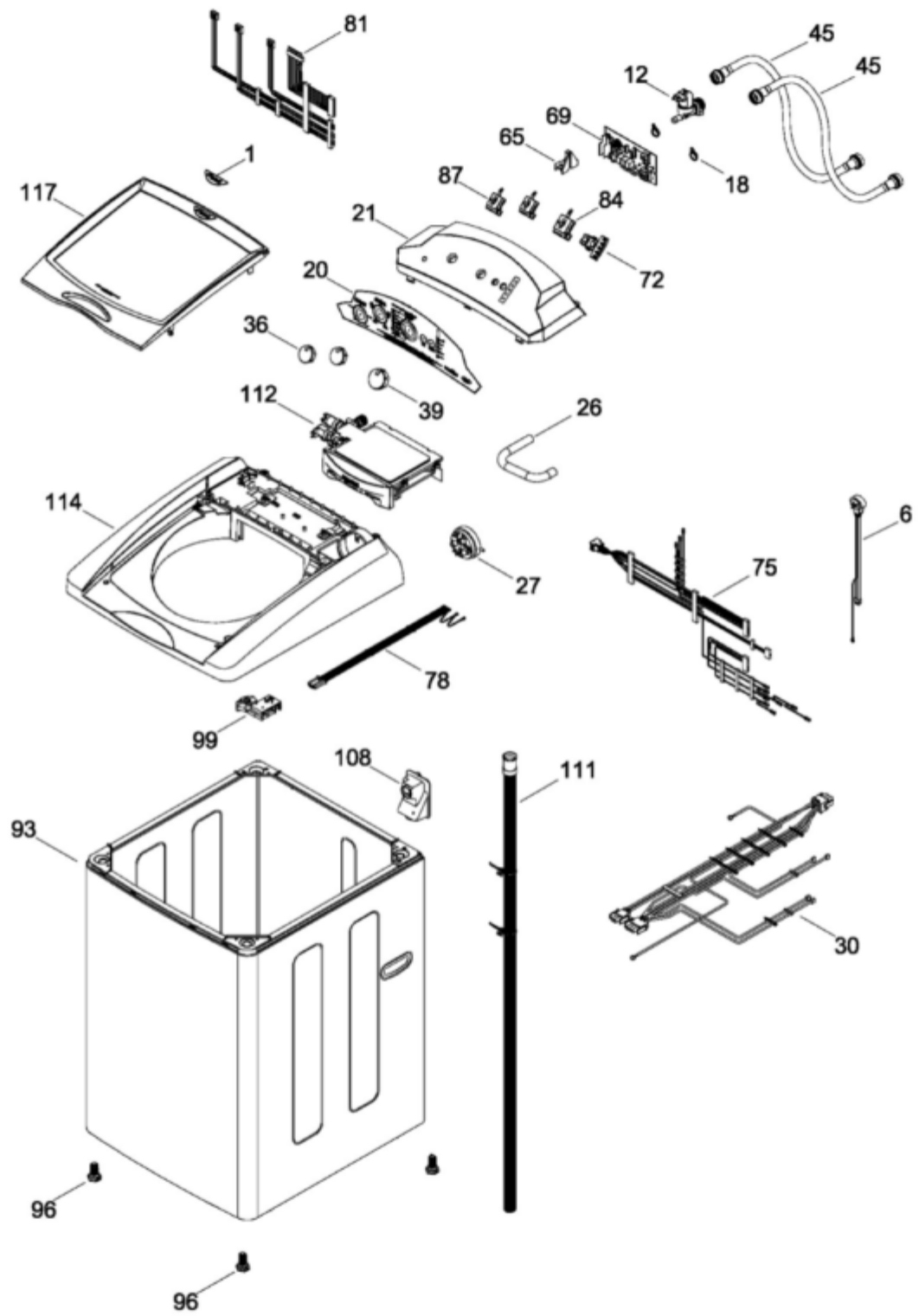


LAVADORA LMA1183PBS0(TNT)

COPETE / BACKSPLASH
 GABINETE Y CUBIERTA / CABINET & COVER

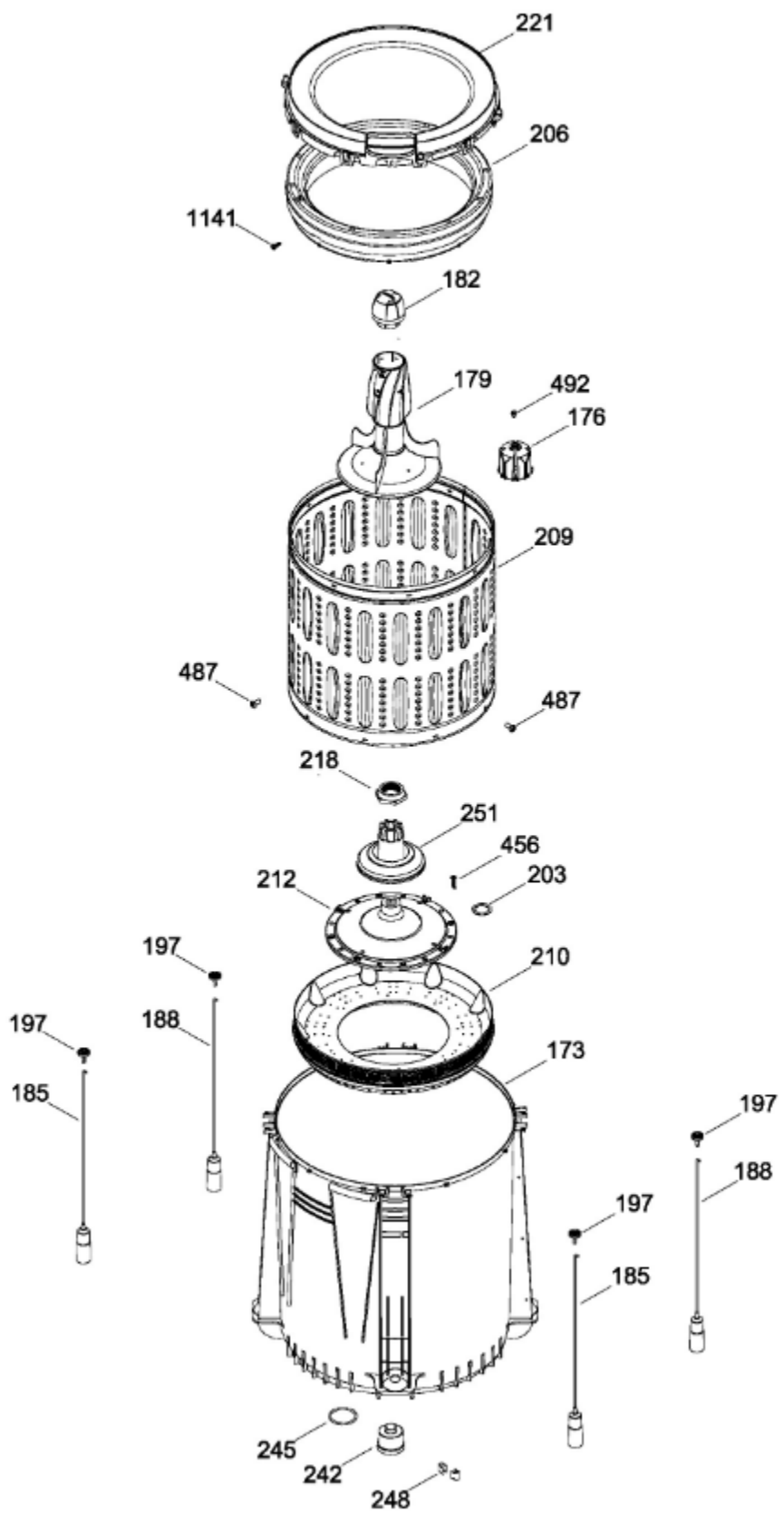
LMA1183PBS0



LAVADORA LMA1183PBS0(TNT)

PARTES PARA TINA / TUB, BASKET & AGITATOR

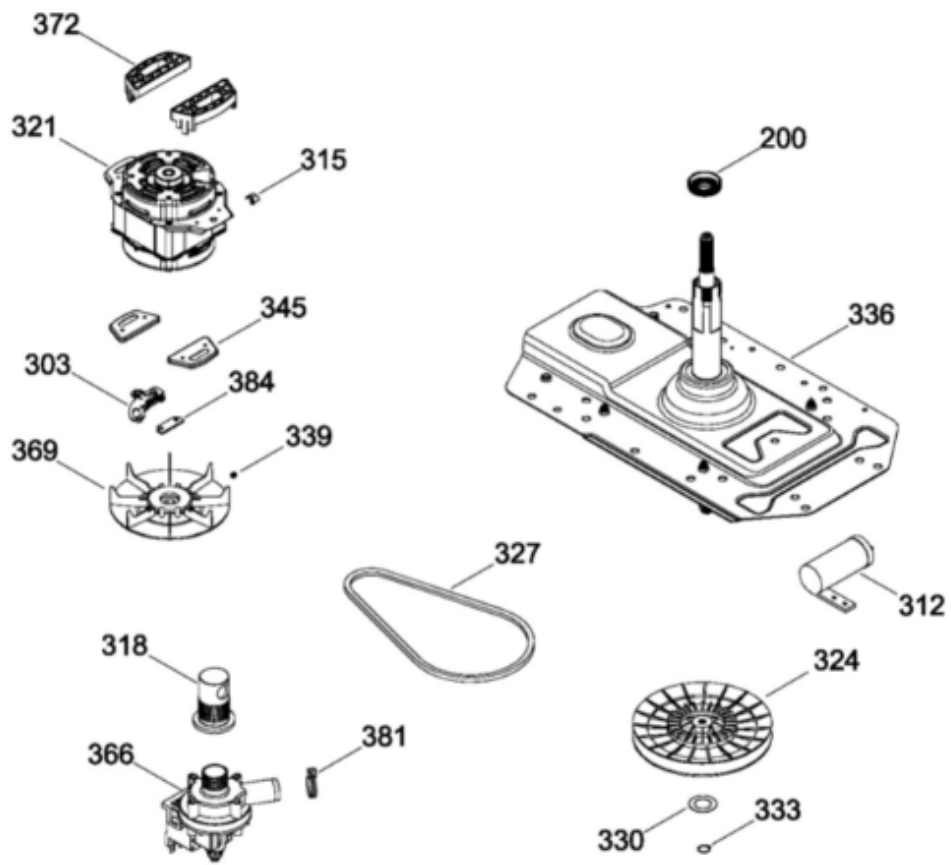
LMA1183PBS0



LAVADORA LMA1183PBS0(TNT)

SISTEMA MOTRIZ / PUMP & DRIVE COMPONENTS

LMA1183PBS0





LAVADORA LMA1183PBS0(TNT)

Guía	Refacción	Descripción
1	WW01L00368	LOGO GOTA
6	WW01F00113	CABLE TOMACORRIENTE
12	WW01F00349	UNIVALVULA
18	WW01A00002	ABRAZADERA
20	189D3388P009	OVERLAY LMA1183PBS0
21	WW01L00126	PAINEL DE CONTROLE
26	WW01L00380	MANGUERA DESPACHADOR
26	WW01F00598	MANGUERA DESPACHADOR
27	WW01F00251	PRESOSTATO
30	WW01F00809	ARNES GABINETE
30	WW01F01470	ARNES GABINETE
36	WW01L00387	ENS. PERILLA ROTATORIA
39	WW01L00391	ENS. PERILLA CONTROL
45	WW01L01033	MANGUERA LLENADO
63	WW01L00268	PROTECTOR TARJETA
66	WW01L00267	PROTECTOR BASE TARJETA
69	WW01F01031	TARJETA TNT
69	WW01F00302	TARJETA TNT
72	WW01F00053	BOTON SELECTOR
72	WW01F00055	BOTON SELECTOR
75	WW01F00191	ARNES CUBIERTA
78	WW01F00166	ARNES PRESOSTATO
81	WW01F00168	ARNES SELECTOR
84	WW01F00341	SELECTOR PROGRAMA
87	WW01F00338	SELECTOR 5 PROGRAMAS
93	WW01L00060	ENS. GABINETE
93	WW01L00062	ENS. GABINETE
96	WW01L01040	PATA
96	WW01L00468	PATA
99	WW01L00469	ENS. BLOCAPUERTAS
99	WW01F01553	ENS. BLOCAPUERTAS
108	WW01L00079	TAPA MANGUERA
111	WW01L00470	MANGUERA
112	189D3741G009	ENS. DESPACHADOR
114	WW01L00109	CUBIERTA IGUAZU 24"
117	WW01L00117	TAMPA
173	WW01L00102	ENS. TINA



LAVADORA LMA1183PBS0(TNT)

Guía	Refacción	Descripción
173	WW01A00233	ENS. TINA
176	WW01F00360	COPLA AGITADOR LOW COS
179	WW01L00164	ENS. AGITADOR
182	WW01L00134	TAPA AGITADOR
185	WW01F00369	ENS. VARILLA
188	WW01F00370	ENS. VARILLA
197	WW01F00265	ROTULA
200	WS01L09224	SELLO TINA
203	WW01A00080	ARANDELA
206	WW01L00009	ARO BALANCE ENS.
209	WW01L01114	CANASTA
210	WW01L00198	FONDO CANASTA 11 KG (MÉXICO Y
210	WW01L00198	FONDO CANASTA 11 KG (MÉXICO Y
212	WW01L01015	FONDO CANASTA FLOTADOR
212	WW01L00449	FONDO CANASTA FLOTADOR
212	WW01A00572	FONDO CANASTA
218	WW01A00048	TUERCA AMAZ IZQ.
221	WW01F00222	CUBIERTA TINA
242	WW01L00287	TAPON CAJA PRESOSTATO
245	WW01F00277	O-RING
248	WW01A00079	CLIP TAPON PRESOSTATO
251	WW01L00157	ENS. FLOTADOR
254	WW01F00347	EMBRAGUE FIJO
303	WW01A00046	SOPORTE TARJETA
303	WW01F01172	SOPORTE TARJETA
303	WW02F00224	SOPORTE TARJETA
312	WW01F00342	CAPACITOR
315	WW01L00338	BOTON MONTAJE
318	WW01L00288	SELLO BOMBA
321	WW01F00331	ENS. MOTOR
321	WW01F01173	ENS. MOTOR
324	WW01F00043	POLEA TRANSMISION
327	WW01F00345	BANDA UNIFICADA
327	WW01F00345	BANDA UNIFICADA
330	WW01A00071	ARANDELA DE FRICCION
333	WW01A00069	ANILLO DE RETENCION
336	WW01F00135	ENS. TX CON SOPORTE LC



LAVADORA LMA1183PBS0(TNT)

Guía	Refacción	Descripción
339	WW01F00272	OPRESOR POLEA
345	WW01L00355	REFUERZO MOTOR
366	WW01F00361	BOMBA DE DESAGUE
366	WW01F00267	BOMBA DE DESAGUE
369	WW01F00039	POLEA MOTOR AMAZONA ENS
369	WW01F00357	POLEA MOTOR AMAZONA ENS
372	WW01F00256	ESPACIADOR MOTOR
372	WW01F00256	ESPACIADOR MOTOR
381	WW01A00104	ABRAZADERA BOMBA
384	WW01F00362	TARJETA SENSOR
384	WW01F01172	TARJETA SENSOR
384	WW02F00224	TARJETA SENSOR
456	WW01A00099	TORNILLO FONDO CANASTA
480	WW01A00063	TORNILLO
487	WW01A00089	TORNILLO
492	WW01A00064	TORNILLO C/GROMET COPLE
492	WW01A00064	TORNILLO C/GROMET COPLE