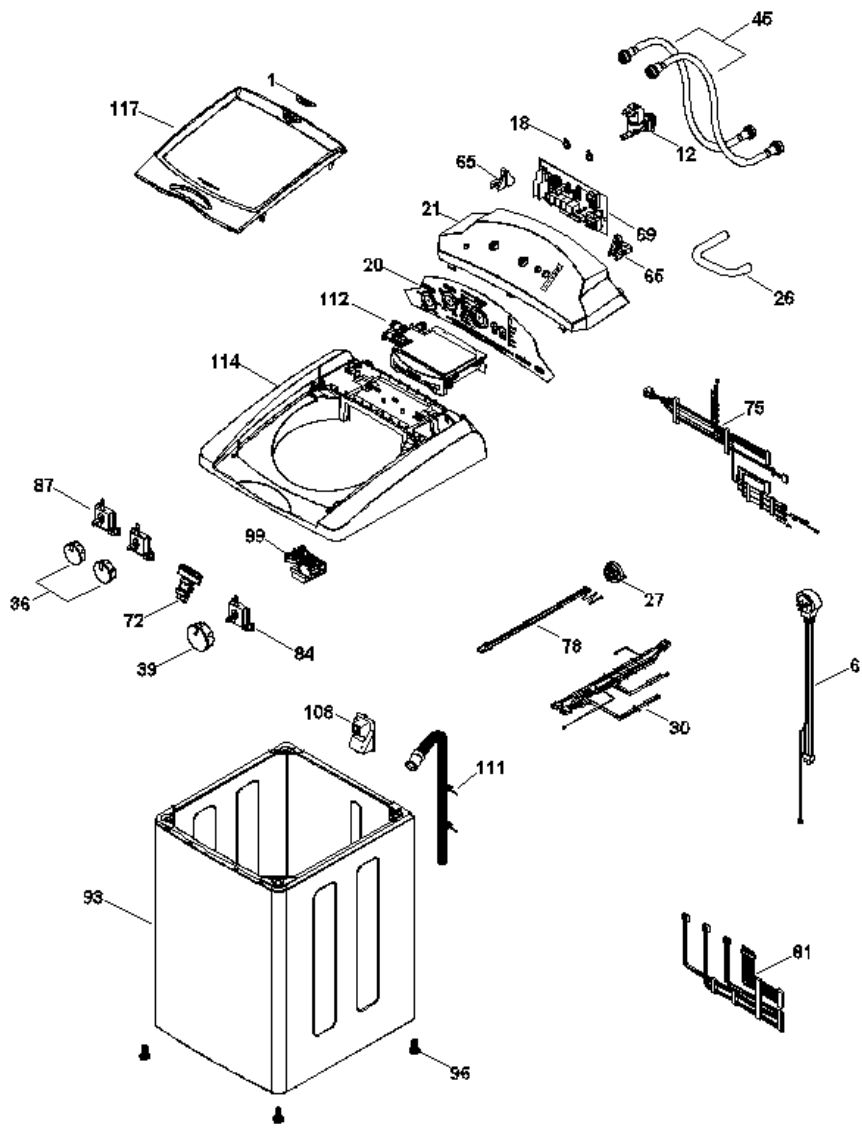
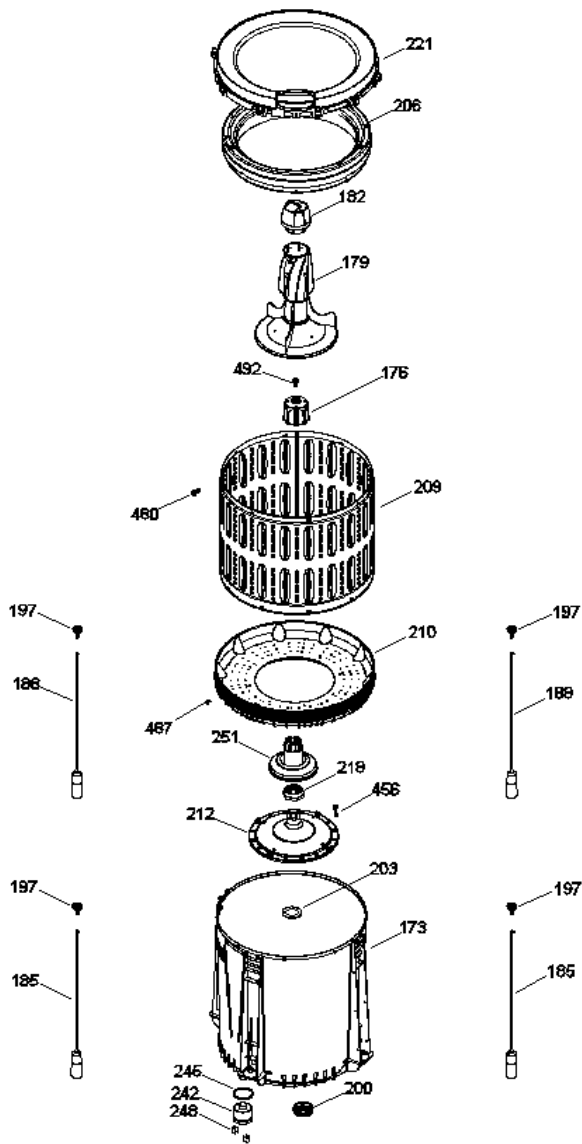
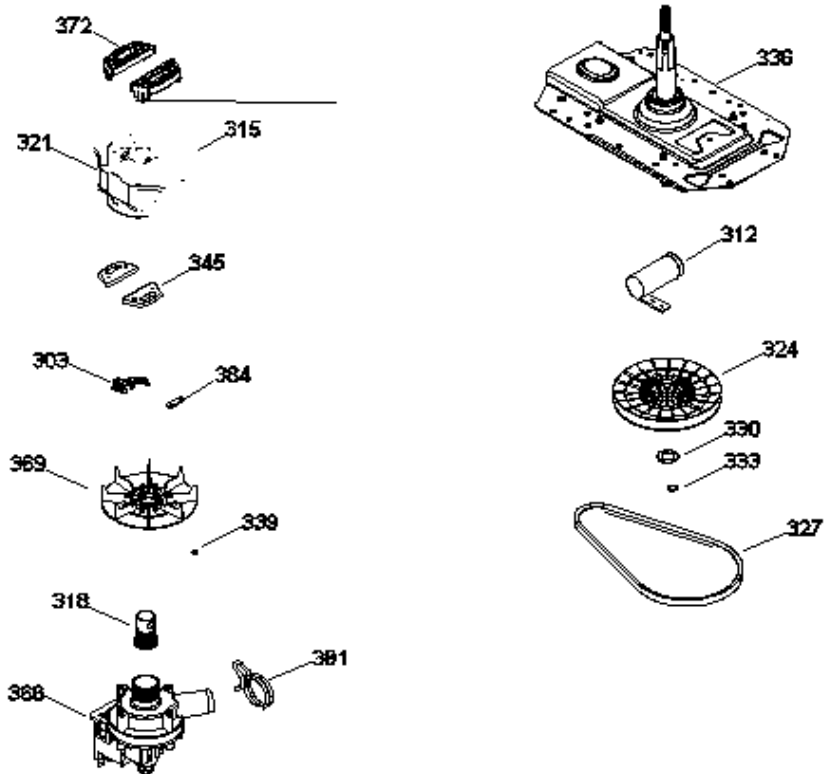


LMA1183PBS0



LMA1183PBS0







LMA1183PBS0

| | | |
|-----|---------------|--------------------------------|
| 1 | 323B2304P002 | LOGO GOTA ID SYSTEM 4 IGUAZU |
| 6 | 189D3208P002 | TOMACORRIENTE AMAZ. NUEVO |
| 12 | 323B2149P003 | VALVULA 1 SOL 1 NAUTILUS |
| 12 | 323B2149P003 | VALVULA 1 SOL 1 NAUTILUS |
| 18 | 109B8787P014 | ABRAZADERA ENTRADA DE AGUA |
| 20 | 189D3388P009 | OVERLAY LMA1183PBS0 |
| 21 | 189D3330P004F | COPETE IGUAZU FAB |
| 26 | 323B2366P001 | MANGUERA DESPACHADOR |
| 27 | 228C2084P003 | PRESOSTATO 4 NIVELES |
| 30 | 189D3633G002 | ARNES GABINETE LOW COST |
| 36 | 323B2380G002 | PERILLA ROTATORIA IGUAZU ENS |
| 39 | 323B2381G002 | PERILLA CONTROL IGUAZU ENS |
| 45 | 175D4683G001 | MANGUERA LLENADO |
| 65 | 228C2199P001 | SOPORTE TARJETA PERILLAS |
| 69 | 189D3631G004 | TARJETA ELECTRONICA LMA1183 |
| 72 | 189D2761G005 | TARJETA BOTONES MABE IGUAZU |
| 75 | 189D3641G001 | ARNES CUBIERTA 13,14KG 3P IGUA |
| 78 | 189D2624P009 | ARNES PRESOSTATO 4 NIVELES |
| 81 | 189D2883G012 | ARNES SELECTORES 3 PERILLAS |
| 84 | 228C1256G005 | SELECTOR 8 POSICIONES CERRADO |
| 87 | 228C1256G002 | SELECTOR DE 5 POSICIONES |
| 93 | 189D2564G001 | GABINETE ENSAMBLE |
| 96 | 228C2081P001 | PATA NIVELADORA |
| 99 | 228C2107P002N | BLOCAPUERTAS C/SLIDER |
| 108 | 189D2637P001 | TAPA MANGUERRA DE SALIDA |
| 111 | 228C2206G001 | MANGUERA DE DRENADO |
| 112 | 189D3741G001 | ENSAMBLE DISPENSADOR 27" |
| 114 | 189D2969P003F | CUBIERTA IGUAZU 24" |
| 117 | 189D3110G004 | ENS. TAPA IGUAZU 24" |
| 173 | 189D2917G001 | ENS TINA VS SELLOS 8KG AMAZONA |
| 176 | 189D3624P001F | COPLA AGITADOR LOW COS |
| 179 | 189D3745G001 | ENSAMBLE AGITADOR 9 KG. |
| 182 | 189D3452P001 | TAPON AGITADOR MABE 2005 |

| | | |
|-----|---------------|--------------------------------|
| 185 | 189D3916G005 | ENS. SUSP. FRONTAL 11 LYRA, 13 |
| 188 | 189D3916G006 | ENS. SUSP. POST. 11 LYRA, 13 A |
| 197 | 228C2372P001 | ROTULA |
| 200 | 228C2113P001 | SELLO TINA |
| 203 | 323B2127P001 | ARANDELA FONDO CANASTA |
| 206 | 189D1021G001 | ARO BALANCE ENS. |
| 209 | 189D3856P002F | WRAPPER CANASTA 11KG |
| 210 | 189D3857P001 | FONDO CANASTA 11 KG (MÉXICO Y |
| 212 | 189D3533P001C | FONDO CANASTA FLOTADOR |
| 218 | 228C2160P001 | TUERCA TINA |
| 221 | 189D5060P001 | CUBIERTA TINA |
| 242 | 228C2089P001 | TAPON CAJA PRESOSTATO TINA |
| 245 | 323B2098P001 | SELLO TAPON TINA |
| 248 | 323B2099P001 | CLIP TAPON PRESOSTATO |
| 251 | 189D3590G001 | ENSAMBLE FLOTADOR |
| 303 | 228C2110P001 | SOPORTE TARJETA SENSOR MOTOR |
| 312 | 228C1259P001 | CAPACITOR GLOBE |
| 315 | 323B1365P001 | BOTON DE MONTAJE ARNES MOTOR |
| 318 | 228C2090P001 | SELLO BOMBA |
| 321 | 189D3186P002 | MOTOR BALEROS 1/4 |
| 324 | 189D2652P001 | POLEA TRANSMISION |
| 327 | 228C2115P003 | BANDA UNIFICADA |
| 330 | 323B2052P001 | ARANDELA DE FRICCION |
| 333 | 323B2000P001 | ANILLO DE RETENCION |
| 336 | 189D3593G002 | ENS. TX CON SOPORTE |
| 339 | 323B1279P002 | OPRESOR POLEA |
| 345 | 323B2167P001 | REFUERZO MOTOR AMAZ |
| 366 | 189D4087P001 | BOMBA HANYU 7 Y 9 KGS. |
| 369 | 189D2645G002 | POLEA MOTOR ENS |
| 372 | 228C2112P001 | ESPACIADOR MOTOR |
| 381 | 323B1390P001 | ABRAZADERA BOMBA DOBLE HILO |
| 381 | 323B1390P001 | ABRAZADERA BOMBA DOBLE HILO |
| 384 | 228C2076P003 | TARJETA SENSOR MOTOR |
| 456 | 8911238P041 | TORNILLO FONDO CANASTA |
| 480 | 323B1193P001 | TORNILLO HUB VS CANASTA |
| 487 | 323B2433P001 | TORNILLO FONDO CANASTA SS |
| 492 | 323B1346P001 | TORNILLO C/GROMET COPLE |