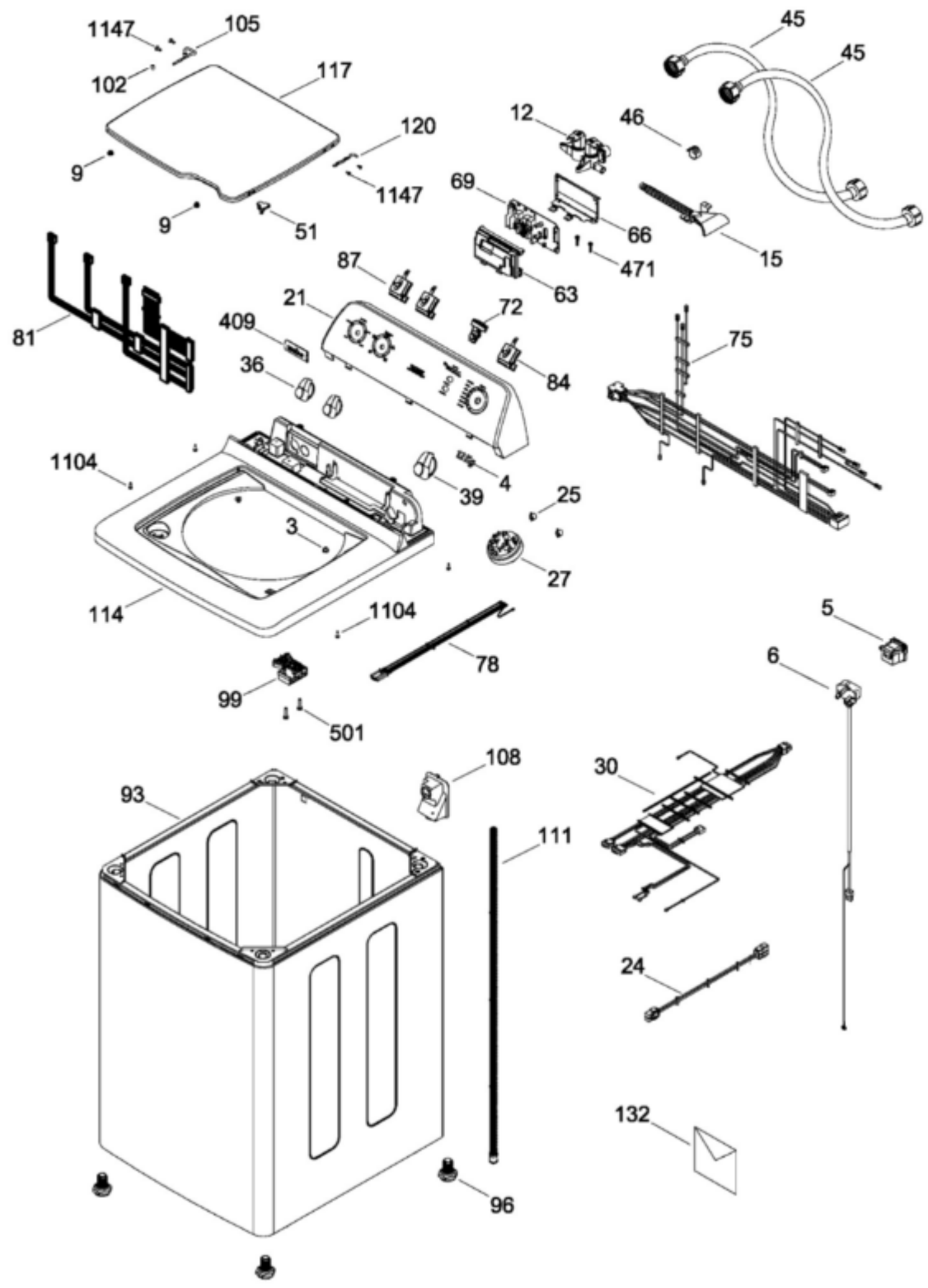


LAVADORA LMA1230PBYU00

COPETE / BACKSPLASH
 GABINETE Y CUBIERTA / CABINET & COVER

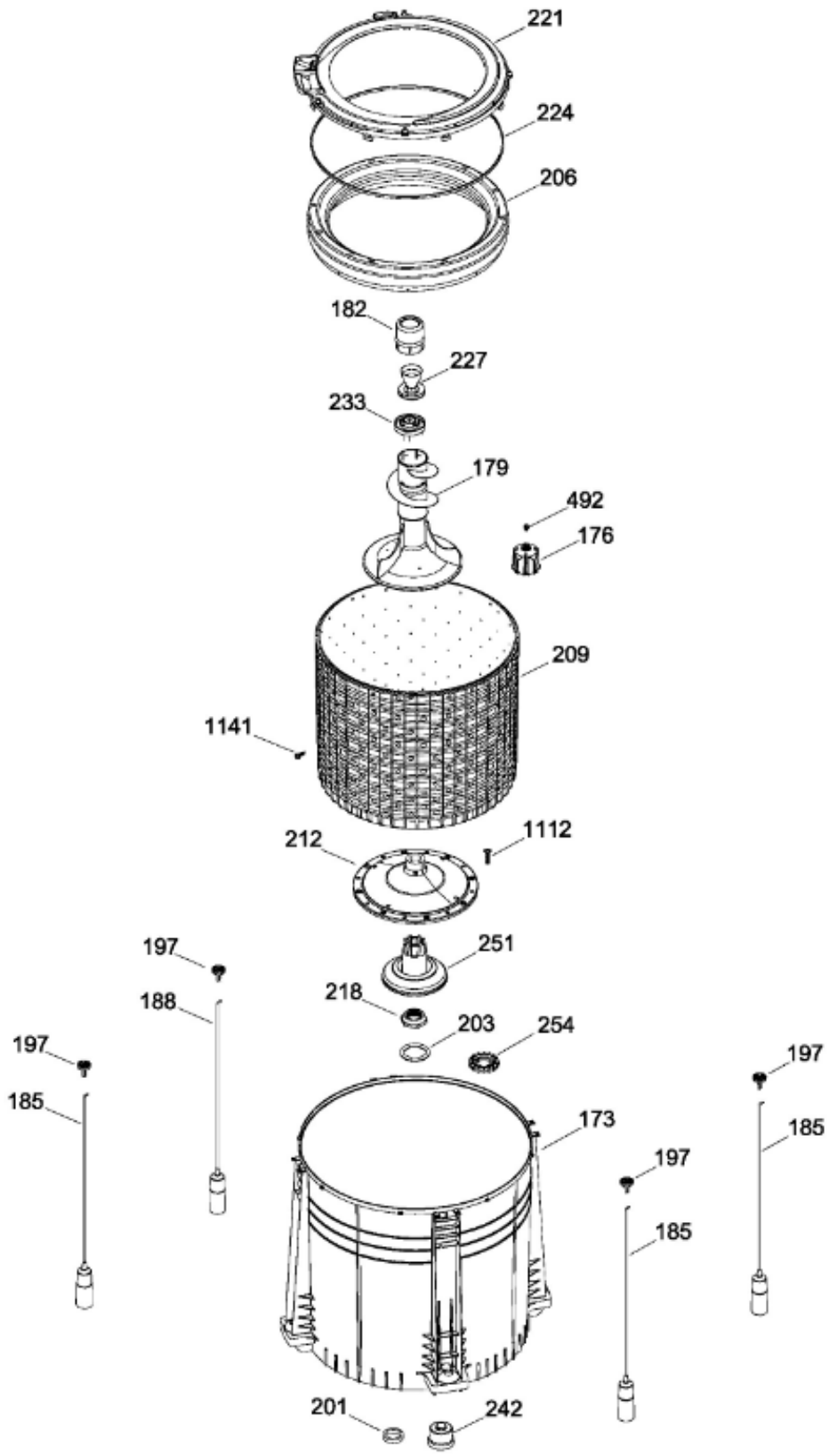
LMA1230PBYU00



LAVADORA LMA1230PBYU00

PARTES PARA TINA / TUB, BASKET & AGITATOR

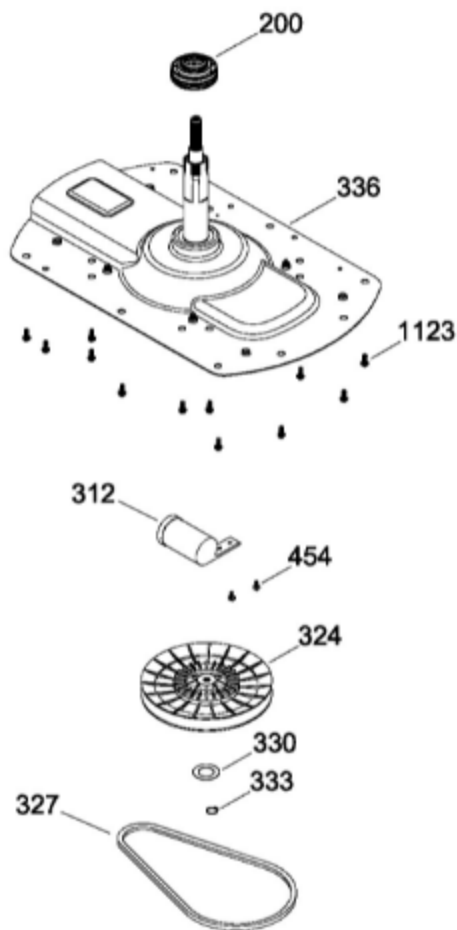
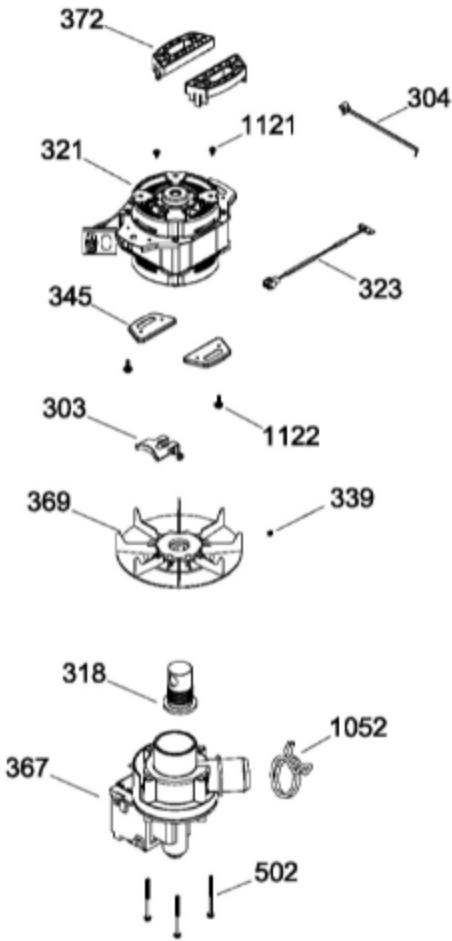
LMA1230PBYU00



LAVADORA LMA1230PBYU00

SISTEMA MOTRIZ / PUMP & DRIVE COMPONENTS

LMA1230PBYU00





LAVADORA LMA1230PBYU00

Guía	Refacción	Descripción
3	WW01A00085	BUJE BISAGRA
4	WW03A00082	LOGO MICROMETAL 12KG
5	WW01F00001	RELEVADOR DE ESFUERZOS
6	WW01A00026	CABLE TOMACORRIENTE
9	WW01A00105	PROTECTOR TAPA
12	WW01F00010	ENS. VALVULA AGUA
15	WW01L00359	ENTRADA DE AGUA
21	WW03L00125	COPETE Y GRAFICOS ENS(BCO)
24	WW01F00225	ARNES EXTENS.ION
25	WW01A00068	ABRAZADERA MANGUERA
27	WW01F00252	PRESOSTATO
30	WW03F00116	ARNES GABINETE
30	WW01F01470	ARNES GABINETE
36	WW01L00487	ENS. PERILLA ROTATORIA
39	WW01L00488	ENS. PERILLA CONTROL
45	WW01F00597	MANGUERA
45	WW01F01987	MANGUERA
46	WW01A00113	ABRAZADERA MANGUERA
51	WW01F00346	ACTUADOR
63	WW01L00251	PROTECTOR CUBIERTA TARJETA
66	WW01L00269	BASE PROTECTOR TARJETA
69	WW03F00152	TARJETA ELECTRONICA
69	WW01F01648	TARJETA ELECTRONICA
72	WW01F01503	BOTON SELECTOR
75	189D3830G012	ARNES CUBIERTA ID 12 KG
78	WW01F00166	ARNES PRESOSTATO
81	WW01F00168	ARNES SELECTOR
84	WW01F00341	SELECTOR PROGRAMA
87	WW01F00338	SELECTOR 5 PROGRAMAS
93	WW01L00498	ENS. GABINETE
96	WW01L00468	PATA NIVELADORA
99	WW01L00469	ENS. BLOCAPUERTAS
99	WW01F01553	ENS. BLOCAPUERTAS
102	WW01L00335	TAPON BISAGRA
105	WW01L00001	BISAGRA
108	WW01L00491	TAPA MANGUERA
111	WW01L00316	MANGUERA



LAVADORA LMA1230PBYU00

Guía	Refacción	Descripción
114	WW01L00101	ENSAMBLE CUBIERTA ECONO. BCA
114	WW01L00101	ENSAMBLE CUBIERTA ECONO. BCA
117	WW01L00428	ACABADO TAPA CURVA
117	WW01L00428	ACABADO TAPA CURVA
120	WW01L00002	BISAGRA
132	WW01A00057	BOLSA ACCESORIOS
173	WW01L00915	TINA 11 Y 13 KGS.AMAZONAS
173	WW01L01119	TINA 11 Y 13 KGS.AMAZONAS
176	WW01F00360	COPE AGITADOR LOW COS
179	WW01L00945	ENS. AGITADOR
182	WW03L00051	TAPA FSD
185	WW01L00494	ENS. VARILLA
188	WW01L00499	ENS. VARILLA
197	WW01F00265	ROTULA
200	WW01L00471	SELLO TINA
200	WW02F00547	SELLO TINA
201	WW03F00128	GASKET
203	WW01A00080	ARANDELA
206	WW01L00017	ARO DE BALANCE ENS
209	WW01L00023	CANASTA SUPER GDE
212	WW01L00449	FONDO CANASTA
212	WW01A00572	FONDO CANASTA
218	WW01A00048	TUERCA AMAZ IZQ.
221	WW01F00066	CUBIERTA TINA
221	WW01F00066	CUBIERTA TINA
224	WW01L00467	SELLO CUBIERTA TINA
227	WW01L00432	COPA SUAVIZANTE AZUL
227	WW01L00432	COPA SUAVIZANTE AZUL
233	WW01L00433	RETARDANTE DE FLUJO
242	WW01F01152	TAPON TUBO PRESOSTATO
242	WW01F01152	TAPON TUBO PRESOSTATO
242	WW01F01152	TAPON TUBO PRESOSTATO
251	WW01L00157	ENS. FLOTADOR
254	WW01F00347	EMBRAGUE FIJO
303	WW01F01172	SOPORTE TARJETA SENSOR
304	WW01A00006	CINCHO ESPADA (BOMBA Y ARNES)
312	WW03F00348	CAPACITOR 16MF



LAVADORA LMA1230PBYU00

Guía	Refacción	Descripción
318	WW01L00295	SELLO BOMBA
321	WW03F00115	MOTOR UNIFICADO 220/50
323	WW02F00224	TARJETA SENSOR
324	WW01F00043	POLEA TRANSMISION
327	WW01F00345	BANDA UNIFICADA
327	WW01F00345	BANDA UNIFICADA
330	WW01A00071	ARANDELA DE FRICCION
333	WW01A00069	ANILLO DE RETENCION
336	WW01F00134	SOPORTE LOW CO
339	WW01F00272	OPRESOR POLEA
345	WW01L00355	REFUERZO MOTOR
367	233D1148P003	BOMBA UNIFICADA 220-50
369	WW01F00038	ENS. POLEA MOTOR
372	WW01F00256	ESPACIADOR MOTOR
372	WW01F00256	ESPACIADOR MOTOR
409	WW03A00080	LOGO MABE
454	WW01A00106	TORNILLO VALVULA
454	WW01A00097	TORNILLO VALVULA
471	WW01A00096	TORNILLO
492	WW01A00064	TORNILLO C/GROMET COPLE
492	WW01A00064	TORNILLO C/GROMET COPLE
501	WW01A00075	TORNILLO LID LOCK
502	WW01A00081	TORNILLO BOMBA
1052	WW01A00094	ABRAZADERA
1104	WW01A00097	TORNILLO 8-18 X 7/16 AB FENIX
1112	WW01A00099	TORNILLO FONDO CANASTA
1121	WW01A00001	TORNILLO
1122	WW01A00076	TORNILLO SUJECION
1123	WW01A00084	TORNILLO
1141	WW01A00063	TORNILLO
1147	WW01A00439	TORNILLO 6-32 MCH FLP 340 SS