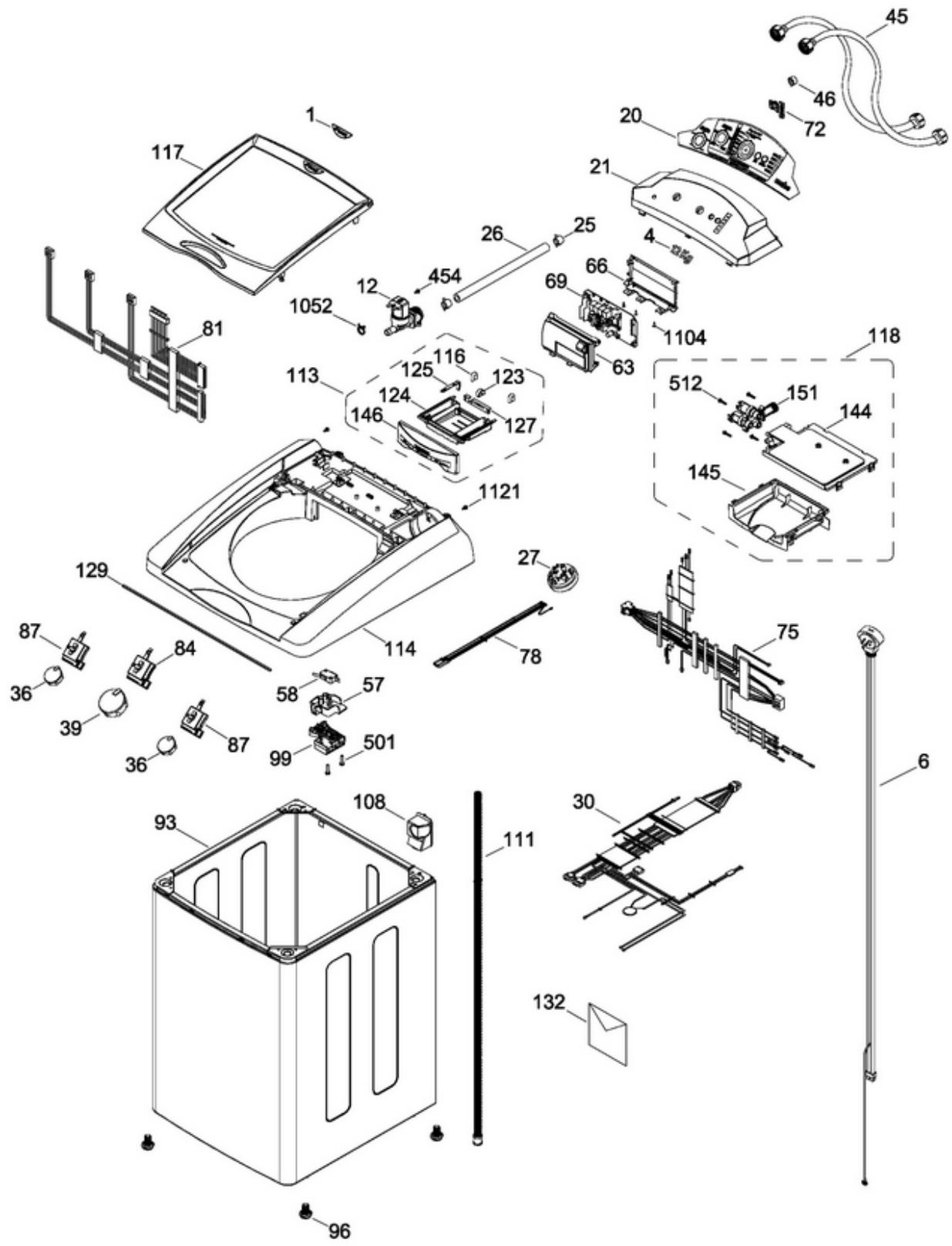


LAVADORA LMA12832PBAS00

COPETE / BACKSPLASH
 GABINETE Y CUBIERTA / CABINET & COVER

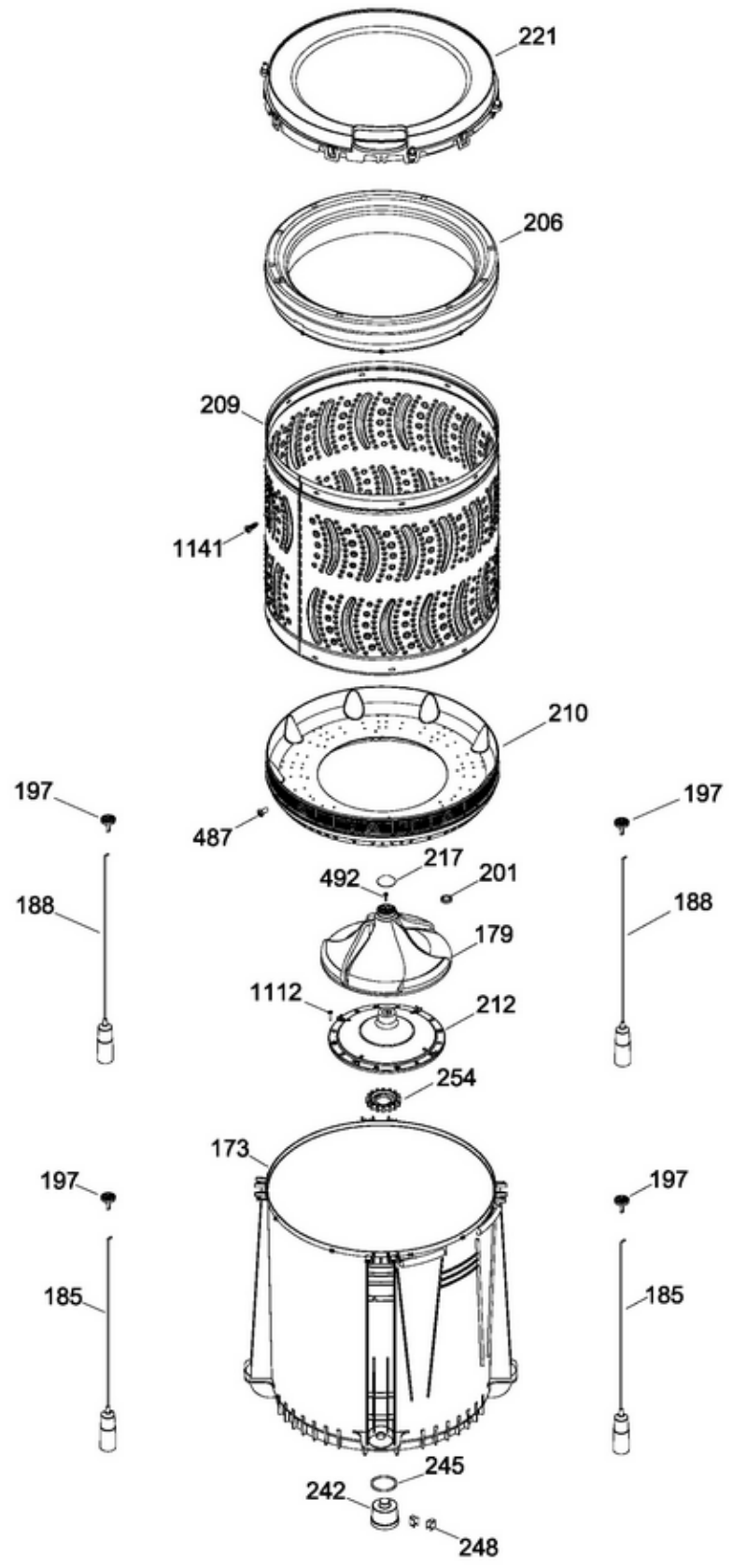
LMA12832PBAS00



LAVADORA LMA12832PBAS00

PARTES PARA TINA / TUB, BASKET & AGITATOR

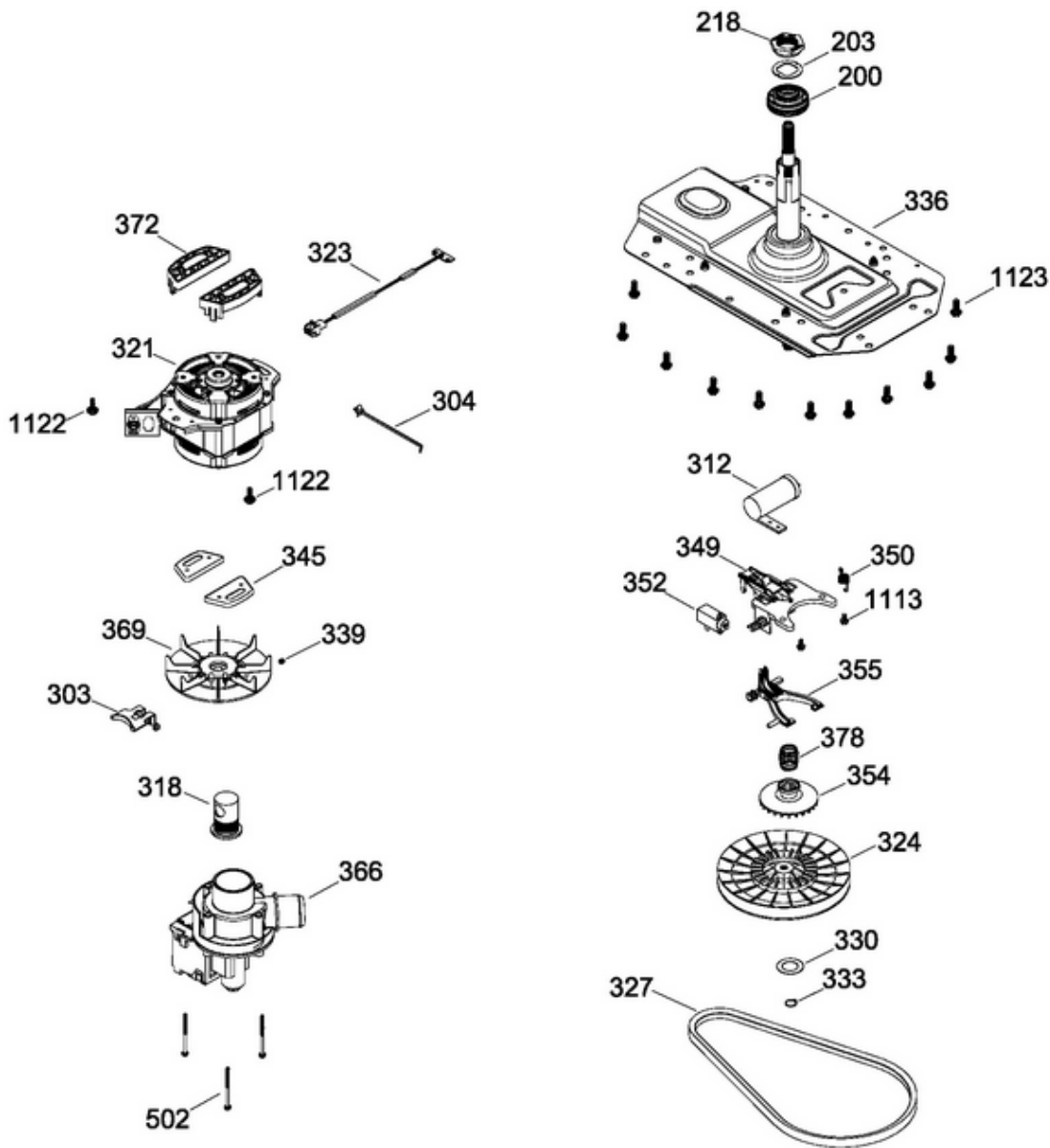
LMA12832PBAS00



LAVADORA LMA12832PBAS00

SISTEMA MOTRIZ / PUMP & DRIVE COMPONENTS

LMA12832PBAS00





LAVADORA LMA12832PBAS00

Guía	Refacción	Descripción
1	WW01L00368	LOGO GOTA
4	WW03A00082	LOGO MICROMETAL 12KG
6	WW01F00113	CABLE TOMACORRIENTE
12	WW01F00349	UNIVALVULA
20	WW01F00233	OVERLAY
20	WW01F01551	OVERLAY
21	WW01L00126	PAINEL DE CONTROLE
25	WW01A00068	ABRAZADERA MANGUERA
26	WW01F00598	MANGUERA
27	WW01F00251	PRESOSTATO
30	WW02F00226	ARNES GABINETE
36	WW01L00387	ENS. PERILLA ROTATORIA
39	WW01L00391	ENS. PERILLA CONTROL
45	WW01F00597	MANGUERA
45	WW01F01987	MANGUERA
46	WW01A00113	ABRAZADERA MANGUERA
57	WW01A00088	SOPORTE SWITCH
58	WW01F00285	MICRO INTERRUPTOR
58	WW01F01582	MICRO INTERRUPTOR
63	WW01L00268	PROTECTOR TARJETA
66	WW01L00267	PROTECTOR BASE TARJETA
69	WW03F00197	TARJETA ELECTRONICA
72	WW01F00053	BOTON SELECTOR
72	WW01F00055	BOTON SELECTOR
75	WW01F00193	ARNES CUBIERTA
78	WW01F00166	ARNES PRESOSTATO
81	WW01F00168	ARNES SELECTOR
84	WW01F00341	SELECTOR PROGRAMA
87	WW01F00338	SELECTOR 5 PROGRAMAS
93	WW01L00062	ENS. GABINETE
96	WW01L00468	PATA NIVELADORA
99	WW01L00469	ENS. BLOCAPUERTAS
99	WW01F01553	ENS. BLOCAPUERTAS
108	WW01L00491	TAPA MANGUERA
111	WW01L00316	MANGUERA
113	WW01L00517	CAJON SIPHON ENS
114	WW01L00109	COBERTURA



LAVADORA LMA12832PBAS00

Guía	Refacción	Descripción
116	WW01F00684	SIFON
117	WW01L00117	TAMPA
118	WW03F00161	REGADERA Y VAVULA ENSAMBLE
123	WW01F00685	SIFON CUADRADO
124	WW01L00514	CAJON DESPACHADOR
124	WW01L01438	CAJON DESPACHADOR
125	WW01A00160	CLIP DESPACHADOR
127	WW01L00776	PARED DESPACHADOR
129	WW01A00295	SELLO REGADERA
132	WW01A00057	BOLSA ACCESORIOS
144	WW03L00069	REGADERA MULTIPLE ENS
145	WW03L00130	BASE DISPENSADOR
146	WW01L00367	MASCARA IGUAZU
146	WW01L00519	MASCARA IGUAZU
151	WW01F00794	VALVULA ENT 3 VIAS
173	WW01L00103	ENS. TINA
179	WW03F00089	INFUSOR
179	WW03A00157	INFUSOR
185	WW01F00369	ENS. VARILLA
188	WW01F00370	ENS. VARILLA
197	WW01F00265	ROTULA
200	WW01L00471	SELLO TINA
200	WW02F00547	SELLO TINA
201	WW03F00128	GASKET
203	WW01A00080	ARANDELA
206	WW01L00010	ARO BALANCE ENS.
209	WW01L00466	CANASTA
209	NLA	CANASTA
210	WW01L00198	FONDO CANASTA 11 KG (MÉXICO Y
210	WW01L00198	FONDO CANASTA 11 KG (MÉXICO Y
212	WW01L00449	FONDO CANASTA
212	WW01A00572	FONDO CANASTA
217	WW01L00300	TAPA PROPELA
217	WW01L01505	TAPA PROPELA
218	WW01A00048	TUERCA AMAZ IZO.
221	WW01F00222	CUBIERTA TINA
242	WW01L00287	TAPON CAJA PRESOSTATO



LAVADORA LMA12832PBAS00

Guía	Refacción	Descripción
245	WW01F00277	O-RING
248	WW01A00079	CLIP TAPON PRESOSTATO
254	WW01F00347	EMBRAGUE FIJO
303	WW01F01172	SOPORTE TARJETA SENSOR
304	WW01A00006	CINCHO ESPADA (BOMBA Y ARNES)
312	WW01F00342	CAPACITOR
318	WW01L00295	SELLO BOMBA
321	WW01F01173	MOTOR 127V/60HZ
321	WW01F00331	MOTOR 127V/60HZ
323	WW02F00224	TARJETA SENSOR
324	WW01F00043	POLEA TRANSMISION
327	WW01F00345	BANDA UNIFICADA
327	WW01F00345	BANDA UNIFICADA
330	WW01A00071	ARANDELA DE FRICCION
333	WW01A00069	ANILLO DE RETENCION
336	WW01F00135	ENS. TX CON SOPORTE LC
339	WW01F00272	OPRESOR POLEA
345	WW01L00355	REFUERZO MOTOR
349	WW01A00031	SOPORTE HORQUILLA
350	WW01A00091	RESORTE HORQUILLA
352	WW01F00263	TERMOACTUADOR
354	WW01F00015	CAMBIADOR
354	WW02F00796	CAMBIADOR
355	WW01A00029	HORQUILLA CAMBIADOR
366	WW01F00267	BOMBA
369	WW01L00083	ENS. POLEA MOTOR
372	WW01F00256	GROMMET INF MOTOR
378	WW01A00053	RESORTE CAMBIADOR
454	WW01A00106	TORNILLO VALVULA
454	WW01A00097	TORNILLO VALVULA
487	WW01A00089	TORNILLO
492	WW01A00065	TORNILLO
501	WW01A00075	TORNILLO LID LOCK
502	WW01A00081	TORNILLO BOMBA
512	WW01A00330	TORNILLO VALVULA
1052	WW01A00094	ABRAZADERA
1104	WW01A00097	TORNILLO 8-18 X 7/16 AB FENIX



LAVADORA LMA12832PBAS00

Guía	Refacción	Descripción
1112	WW01A00099	TORNILLO FONDO CANASTA
1113	WW01A00082	TORNILLO SOPORTE
1121	WW01A00001	TORNILLO
1122	WW01A00076	TORNILLO SUJECION
1123	WW01A00084	TORNILLO
1141	WW01A00063	TORNILLO