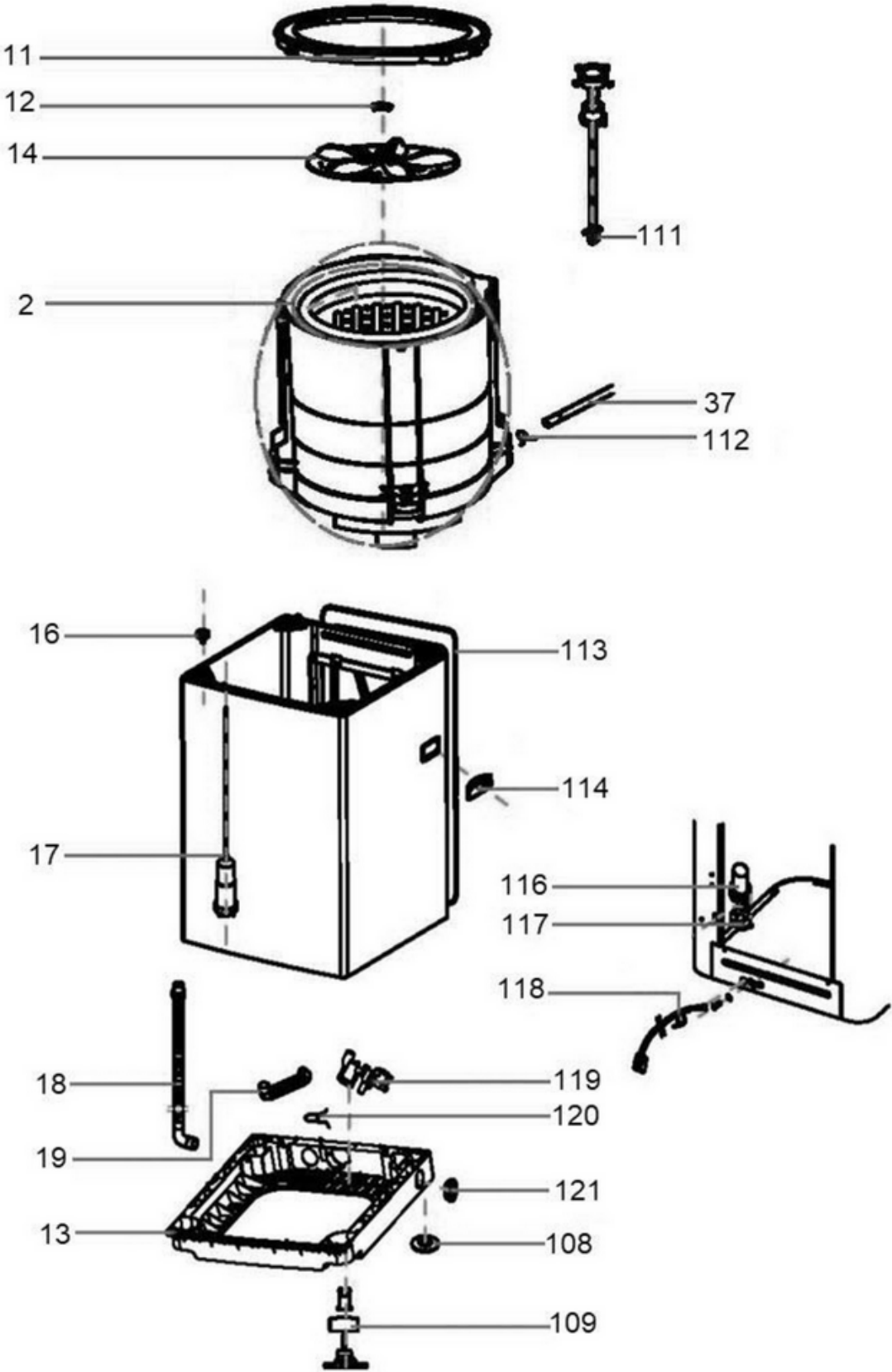


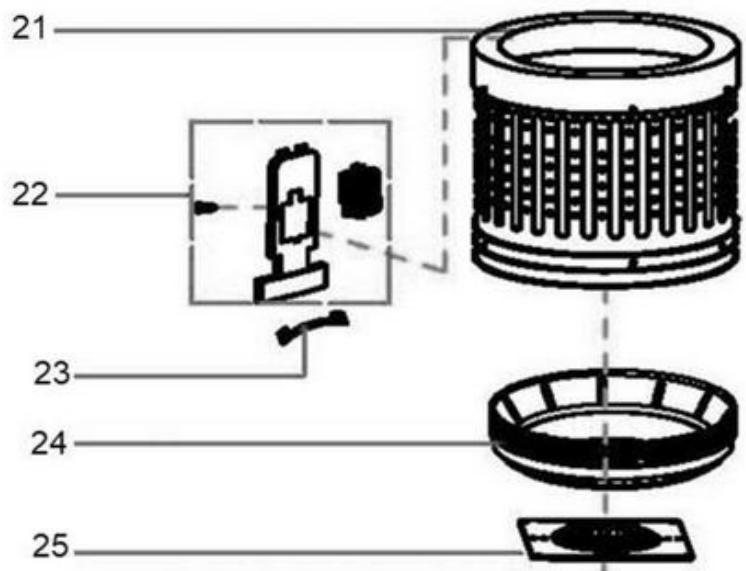
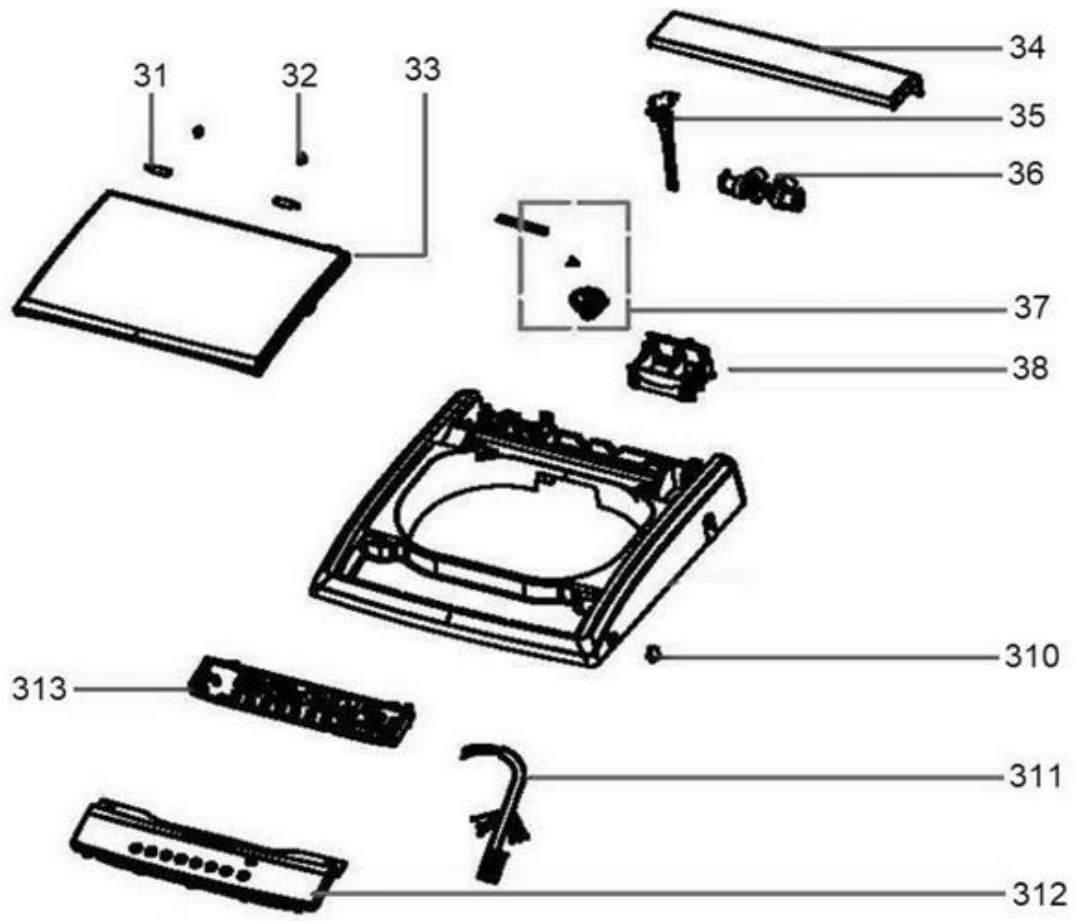
LAVADORA LMA12SY10

LMA12SY10



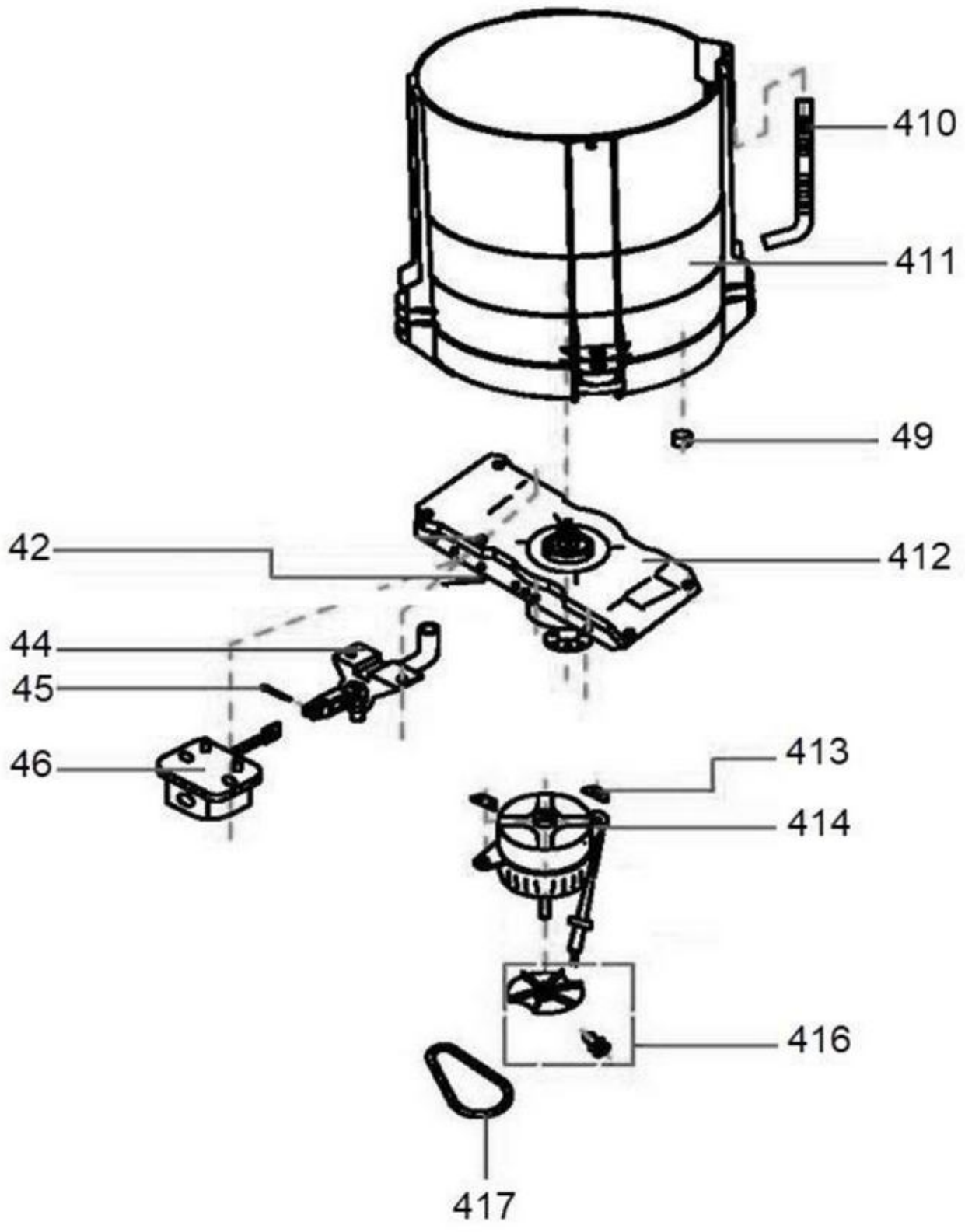
LAVADORA LMA12SYI0

LMA12SYI0



LAVADORA LMA12SYI0

LMA12SYI0





LAVADORA LMA12SY10

Guía	Refacción	Descripción
2	WG04F10080	STAINLESS TUB ASSEMBLY
11	WG04F09753	OUTER TUB COVER
12	WG04L06251	Impeller Cover
13	P0000001886673	ENS. BASE
14	12138000003520	Impeller
16	WG04F10075	SUSPEND SUPPORT
17	WG04F10084	SUSPEND SYSTEM
18	WG04F09967	The Drainage Overflow Hose
19	WG04F10082	MIDDLE HOSE ASSEMBLY
21	WG04F10072	UP BALANCE RING
22	12138000034304	Filtering Cover Assembly
23	WG04F10071	TRANSITION
24	WG04F10074	TUB BOTTOM BASE
25	WG04F10123	COUPLING PLATE
31	WG04F10083	DAMPER
32	WG04F10088	DAMPER BOX COVER
33	12138000A26021	ENS. CUBIERTA
34	12138000A31161	PANEL DE CONTRO POSTERIOR
35	WG04L05790	COVER SWITCH
36	WG04F09756	WATER INLET VALVE
37	WG04F10472	Water Level Sensor Assembly
38	WG04F10090	Nozzle Assembly
42	WG04F11018	EARTH WIRE SUBASSEMBLY
44	WG04F09731	DRAIN VALVE SUBASSEMBLY
45	WG04A03487	PIN
46	WG04L05789	Retractor
49	WG04L06240	OUTER TUB HOLE COVER
108	WG04F10081	STATIONARY FOOT
109	WG04F10077	ADJUSTABLE FOOT
111	WG04F09752	WATER INLET HOSE ASSEMBLY
112	WG04A03844	CLIP SPRING
113	WG04L06253	REAR COVER
114	WG04L06271	Handle
116	WG04L05792	ENS. CAPACITOR
117	WG04L06261	Capacitor Cover
118	17438100000562	CABLE DE ALIMENTACIÓN
119	WG04F10068	Permanent magnet synchronous pump



LAVADORA LMA12SYI0

Guía	Refacción	Descripción
120	WG04A03843	CLIP SPRING
121	WG04L06237	HOLE COVER
310	WG04L06272	Screw Cover
311	WG04F11021	ENS. CABLEADO INTERNO
312	WG04F10089	ENS. PANEL DE CONTROL
313	WG04F10086	PCB
410	WG04F10073	OVERFLOW HOSE
411	WG04F10079	OUTER TUB SUBORDINATE ASSEMBLY
412	12938000000392	Clutch Body Subassembly
413	WG04F10117	LOWER CUSHION
414	WG04F10069	MOTOR ASINCRONO
416	WG04F09734	MOTOR PULLEY ASSEMBLY
417	WG04F09733	V-BELT