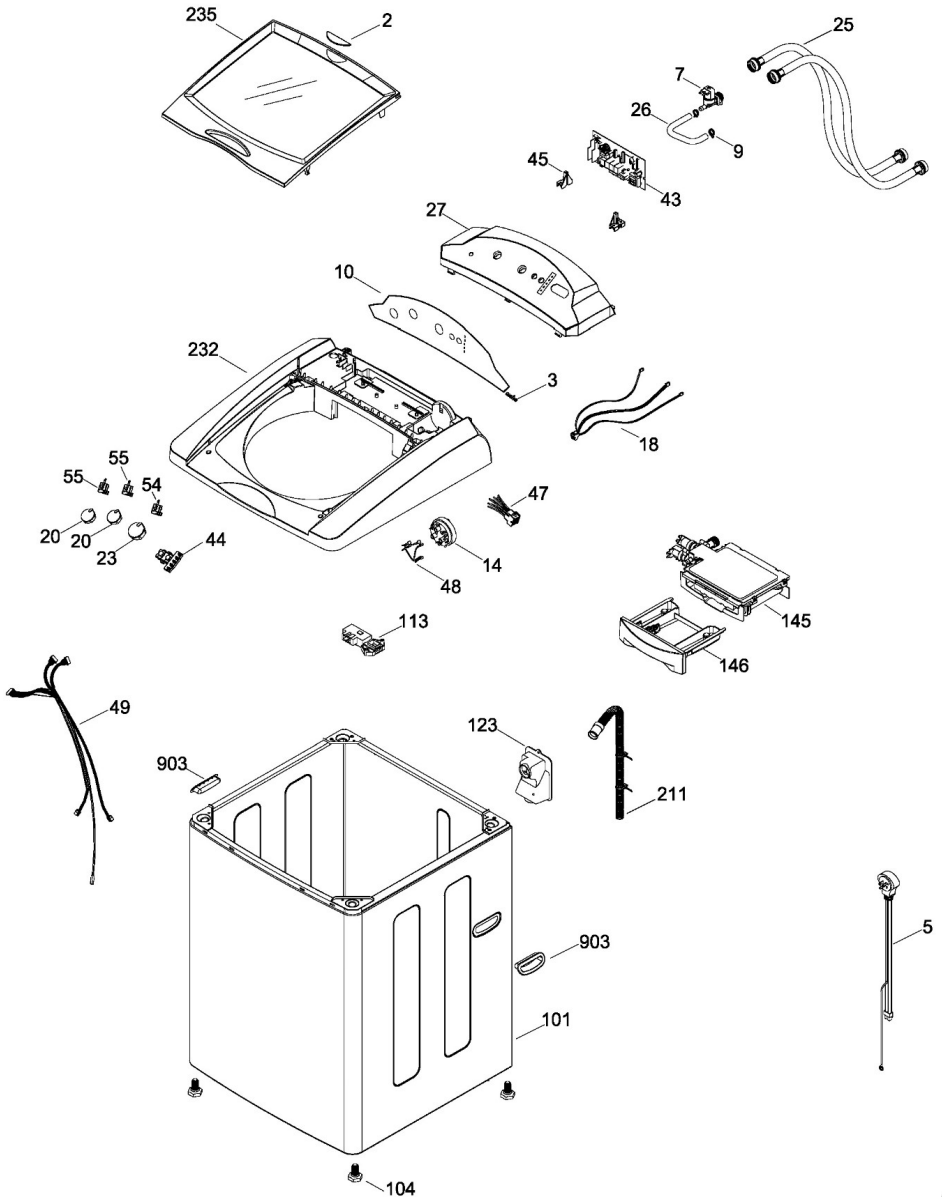


Lavadora Mabe LMA1383PBAS2(TNT)

COPETE / BACKSPLASH
 GABINETE Y CUBIERTA / CABINET & COVER

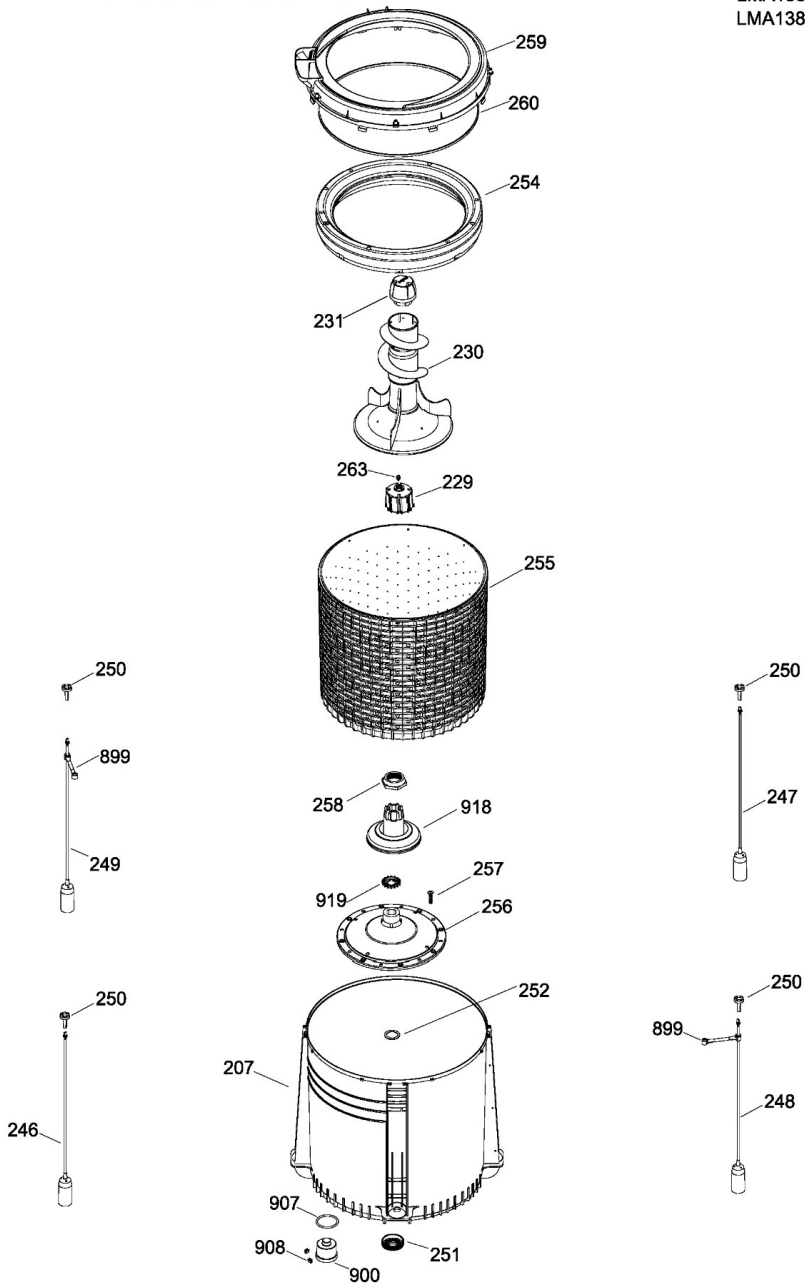
LMA1383PB2
 LMA1383PBAS2



Lavadora Mabe LMA1383PBAS2(TNT)

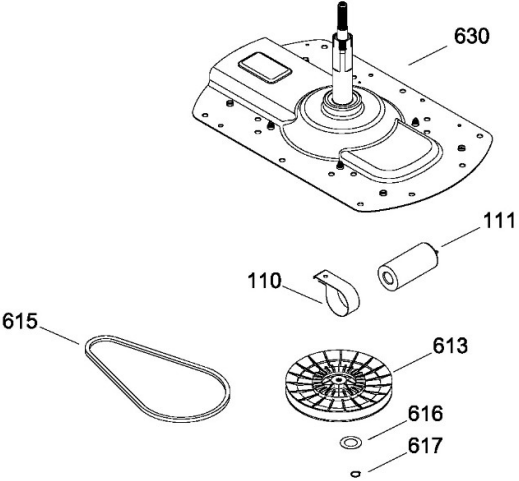
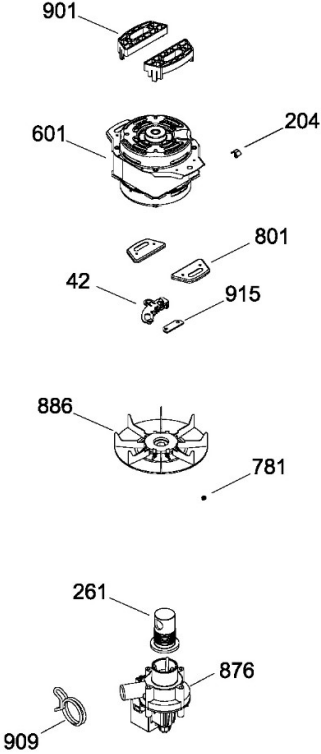
PARTES PARA TINA / TUB, BASKET & AGITATOR

LMA1383PB2
 LMA1383PBAS2



LMA1383PB2
 LMA1383PBAS2

SISTEMA MOTRIZ / PUMP & DRIVE COMPONENTS



Guía	Componente	Descripción
1	323B2304P002	LOGO GOTA
2	238C2758P001	NAMEPLATE MABE
2	277B1234P002	NAMEPLATE MABE
6	189D3208P002	CABLE TOMACORRIENTE
12	323B1472P002	UNIVALVULA
18	109B8787P014	ABRAZADERA
20	189D3389P010	OVERLAY
21	189D3331P008	PAINEL DE CONTROLE
26	323B2366P001	MANGUERA DESPACHADOR
26	277B1147P001	MANGUERA DESPACHADOR
27	228C2084P006	PRESOSTATO
30	189D3983G002	ARNES GABINETE
30	189D3983G009	ARNES GABINETE
36	323B2380G002	ENS. PERILLA ROTATORIA
39	323B2381G002	ENS. PERILLA CONTROL
45	175D4683G001	MANGUERA LLENADO
52	228C2385P001	SOPORTE METALICO
63	189D5318P001	PROTECTOR TARJETA
66	189D5218P001	PROTECTOR BASE TARJETA
69	T02G03R05	TARJETA TNT
72	189D2761G005	BOTON SELECTOR
72	189D2761G009	BOTON SELECTOR
75	189D3832G008	ARNES CUBIERTA
78	189D3652G002	ARNES PRESOSTATO
81	189D3653G005	ARNES SELECTOR
84	228C1256G005	SELECTOR PROGRAMA
87	228C1256G002	SELECTOR 5 PROGRAMAS

Guía	Componente	Descripción
93	189D2655G009	ENS. GABINETE 10KG CURVO
93	189D2655G011	ENS. GABINETE 10KG CURVO
96	228C2081P001	PATA
96	228C1202P001	PATA
99	228C2107P002N	ENS. BLOCAPUERTAS
99	253C1215P001	ENS. BLOCAPUERTAS
108	189D2637P001	TAPA MANGUERA
111	228C2206G001	MANGUERA
112	189D3741G009	ENS. DESPACHADOR
114	189D3057P004F	CUBIERTA IGUAZU BLANCO MABE
117	189D3157G006	TAPA
173	189D2668P001	TINA 11 Y 13 KGS.AMAZONAS
173	189D2668P003	TINA 11 Y 13 KGS.AMAZONAS
176	189D3624P001F	COPLA AGITADOR LOW COS
179	189D3746G002	ENS. AGITADOR
182	189D3452P001	TAPA AGITADOR
185	189D3916G005	ENS. VARILLA
188	189D3916G006	ENS. VARILLA
197	228C2372P001	ROTULA
200	228C2113P001	SELLO TINA
203	323B2127P001	ARANDELA
206	189D1111G002	ENS. ANILLO BALANCEO
206	233D2251G001	ENS. ANILLO BALANCEO
209	189D2050P001	CANASTA 12 KG
209	189D2050P002	CANASTA 12 KG
212	189D3533P001C	FONDO CANASTA FLOTADOR
212	189D3533P001L	FONDO CANASTA FLOTADOR

Guía	Componente	Descripción
212	233D2211G001	FONDO CANASTA
218	228C2160P001	TUERCA AMAZ IZQ.
221	189D2790P001	CUBIERTA TINA
224	228C1177P002	SELLO TINA
242	228C2089P001	TAPON CAJA PRESOSTATO
245	323B2098P001	O-RING
248	323B2099P001	CLIP TAPON PRESOSTATO
251	189D3590G001	ENS. FLOTADOR
254	228C2415P001	EMBRAGUE FIJO
303	228C2110P001	SOPORTE TARJETA
303	253C1058P001	SOPORTE TARJETA
303	253C1142P003	SOPORTE TARJETA
312	228C1259P001	CAPACITOR
315	323B1365P001	BOTON MONTAJE
318	228C2136P001	SELLO BOMBA
321	189D4153P002	ENS. MOTOR
324	189D2652P001	POLEA TRANSMISION
327	228C2115P003	BANDA UNIFICADA
327	228C2115P004	BANDA UNIFICADA
330	323B2052P001	ARANDELA DE FRICCION
333	323B2000P001	ANILLO DE RETENCION
336	189D3593G001	SOPORTE LOW CO
339	323B1279P002	OPRESOR POLEA
345	323B2167P001	REFUERZO MOTOR
366	189D4101P005	BOMBA DE DESAGUE
366	233D2229P001	BOMBA DE DESAGUE
369	189D2645G002C	POLEA MOTOR AMAZONA ENS



Lavadora Mabe LMA1383PBAS2(TNT)

Guía	Componente	Descripción
369	189D2645G002L	POLEA MOTOR AMAZONA ENS
372	228C2112P001	ESPACIADOR MOTOR
372	253C1092P002	ESPACIADOR MOTOR
381	323B1390P001	ABRAZADERA BOMBA
384	228C2076P003	TARJETA SENSOR
384	253C1058P001	TARJETA SENSOR
384	253C1142P003	TARJETA SENSOR
456	8911238P041	TORNILLO FONDO CANASTA
480	323B1193P001	TORNILLO
492	323B1346P001	TORNILLO C/GROMET COPLE
492	323B1346P004	TORNILLO C/GROMET COPLE