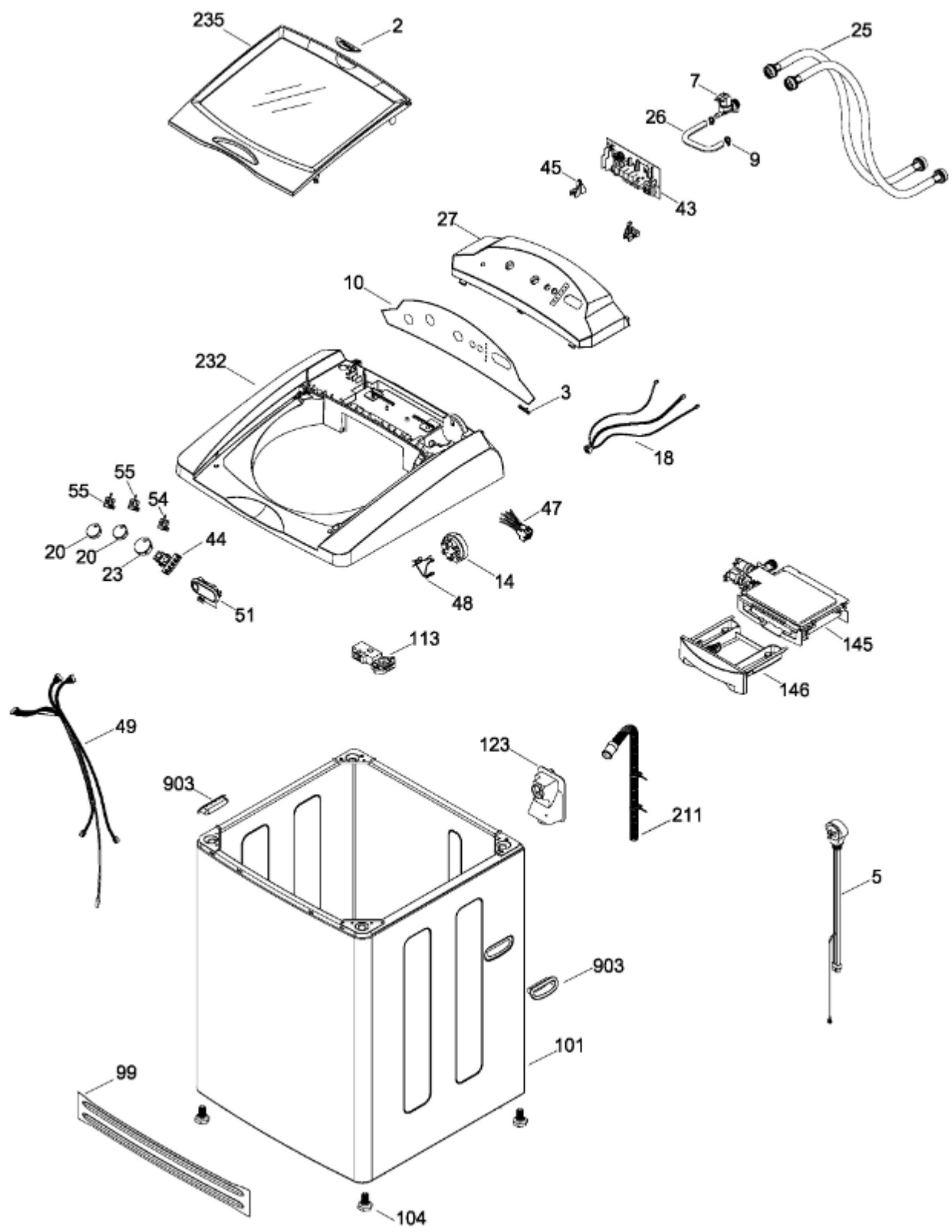


LAVADORA LMA1493PBAS2

COPETE / BACKSPLASH
 GABINETE Y CUBIERTA / CABINET & COVER

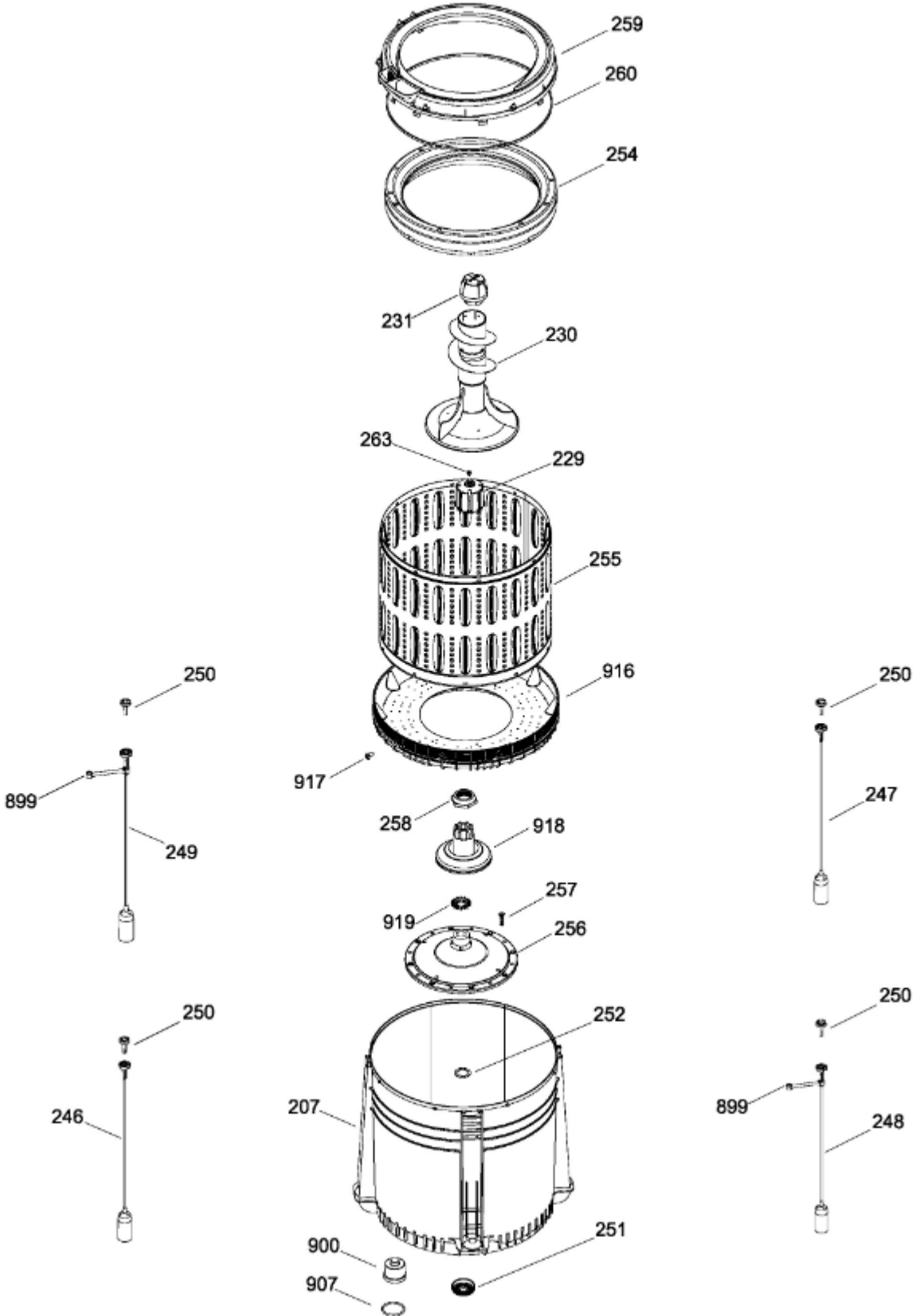
LMA1493PBAS2



LAVADORA LMA1493PBAS2

PARTES PARA TINA / TUB, BASKET & AGITATOR

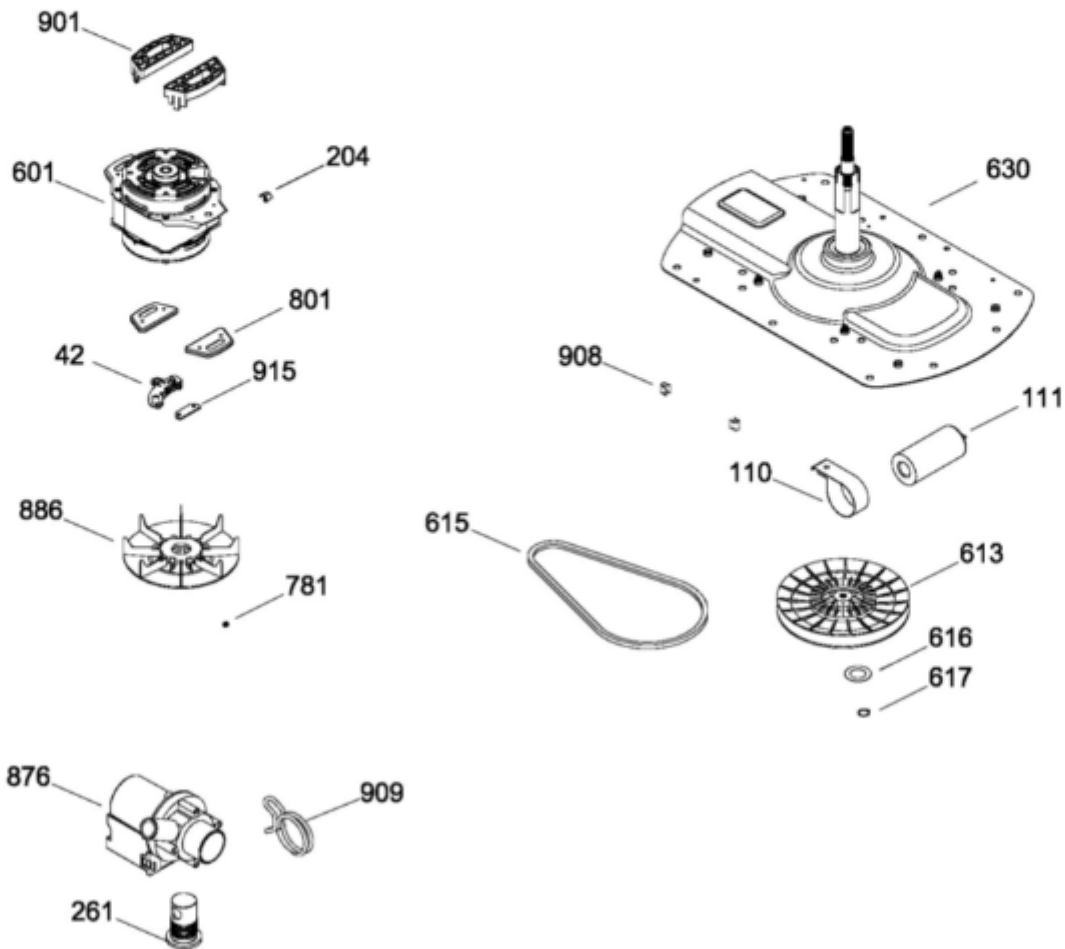
LMA1493PBAS2



LAVADORA LMA1493PBAS2

SISTEMA MOTRIZ / PUMP & DRIVE COMPONENTS

LMA1493PBAS2





LAVADORA LMA1493PBAS2

Guía	Refacción	Descripción
2	WW01L00368	LOGO GOTA
3	WR01A00400	NAMEPLATE MABE
3	WR01A01249	NAMEPLATE MABE
5	WW01F00113	CABLE TOMACORRIENTE
7	WW01F01106	VALVULA
7	WW01F00349	VALVULA
9	WW01A00002	ABRAZADERA
10	WW01F00123	OVERLAY DELAYED START ANDINO
14	WW01F00252	PRESOSTATO
18	WW01F00153	ARNES GABINETE
20	WW01L00387	ENS. PERILLA ROTATORIA
23	WW01L00391	ENS. PERILLA CONTROL
25	228C1203G001	MANGUERA DE LLENADO HO
26	WW01L00380	MANGUERA DESPACHADOR
26	WW01F00598	MANGUERA DESPACHADOR
27	WW01L00446	PAINEL DE CONTROLE
42	WW01A00046	SOPORTE TARJETA
42	WW01F01172	SOPORTE TARJETA
42	WW02F00224	SOPORTE TARJETA
43	WW01F00140	TARJETA CONTROL PERILLAS
44	WW01F00053	BOTON SELECTOR
44	WW01F00055	BOTON SELECTOR
45	WW01A00049	SOPORTE TARJETA
47	189D3641G003	ARNES CUBIERTA 10,12,13KG 3,4P
47	WW01F00160	ARNES CUBIERTA 10,12,13KG 3,4P
48	WW01F00033	ARNES PRESOSTATO
49	WW01F00078	ARNES SELECTOR
51	WW01L00403	DELAY START ASM.
54	WS01A01627	SELECTOR
55	WW01F00257	SELECTOR
55	WW01F00338	SELECTOR
99	WW01L00405	REFUERZO GABINETE
101	WW01L00989	ENS. GABINETE 10KG CURVO
101	WW01L00498	ENS. GABINETE 10KG CURVO
104	WW01L01040	PATA
104	WW01L00468	PATA
110	WW01A00041	ABRAZADERA



LAVADORA LMA1493PBAS2

Guía	Refacción	Descripción
110	WW01F00342	ABRAZADERA
111	WW01F00238	CAPACITOR
111	WW01F00342	CAPACITOR
113	WW01A00427	ENS. BLOCAPUERTAS
123	WW01L00079	TAPA MANGUERA
145	189D3741G001	ENSAMBLE DISPENSADOR 27"
146	323B2286G007	MASCARA IGUAZU
204	WW01L00338	BOTON MONTAJE
207	WW01L00436	TINA
207	WW01L01119	TINA
211	WW01L00470	MANGUERA
229	WW01F00360	COPLA AGITADOR LOW COS
230	WW01L00945	ENS. AGITADOR
231	WW01L00134	TAPA AGITADOR
232	WW01L00116	COBERTURA
235	WW01L00120	TAPA
246	WW01F00940	ENS. VARILLA
246	WW01L00495	ENS. VARILLA
247	WW01F00941	ENS. VARILLA
247	WW01L00496	ENS. VARILLA
248	WW01F00939	ENS. VARILLA
248	WW01L00495	ENS. VARILLA
249	WW01F00942	ENS. VARILLA
249	WW01L00496	ENS. VARILLA
250	WW01F00323	ROTULA SUPERIOR
251	WS01L09224	SELLO TINA
252	WW01A00080	ARANDELA
254	WW01L00949	ENS. ANILLO BALANCEO
254	WW01L01503	ENS. ANILLO BALANCEO
255	WW01L01113	CANASTA
255	WW01L00153	CANASTA
256	WW01L01015	FONDO CANASTA
256	WW01A00572	FONDO CANASTA
257	WW01A00099	TORNILLO FONDO CANASTA
258	WW01A00048	TUERCA AMAZ IZO.
259	WW01F00066	CUBIERTA TINA
259	WW01F00066	CUBIERTA TINA



LAVADORA LMA1493PBAS2

Guía	Refacción	Descripción
260	WW01L00467	SELLO CUBIERTA TINA
261	WW01L00295	SELLO BOMBA
263	WW01A00064	TORNILLO C/GROMET COPLE
263	WW01A00064	TORNILLO C/GROMET COPLE
601	WW01F00106	MOTOR
601	WW01F00331	MOTOR
601	WW01F01173	ENS. MOTOR
613	WW01F00043	POLEA TRANSMISION
615	WW01F00345	BANDA UNIFICADA
615	WW01F00345	BANDA UNIFICADA
616	WW01A00071	ARANDELA DE FRICCION
617	WW01A00069	ANILLO DE RETENCION
630	WW01F00134	SOPORTE LOW CO
781	WW01F00272	OPRESOR POLEA
801	WW01L00355	REFUERZO MOTOR
876	WW01F00116	BOMBA
886	WW01F00039	ENS. POLEA MOTOR
886	WW01F00357	ENS. POLEA MOTOR
899	WW01A00102	BUJE-LIGA
900	WW01L00287	TAPON CAJA PRESOSTATO
901	WW01F00256	ESPACIADOR MOTOR
901	WW01F00256	ESPACIADOR MOTOR
903	WW01L00291	JALADERA
907	WW01F00277	O-RING
908	WW01A00079	CLIP TAPON PRESOSTATO
909	WW01A00104	ABRAZADERA BOMBA
915	WW01F00362	TARJETA SENSOR
915	WW01F01172	TARJETA SENSOR
915	WW02F00224	TARJETA SENSOR
916	WW01L00155	FONDO PLASTICO
916	WW01L00154	FONDO PLASTICO
916	WW01L00154	FONDO PLASTICO
917	WW01A00089	TORNILLO
918	WW01L00157	ENS. FLOTADOR
919	WW01A00353	EMBRAGUE FIJO