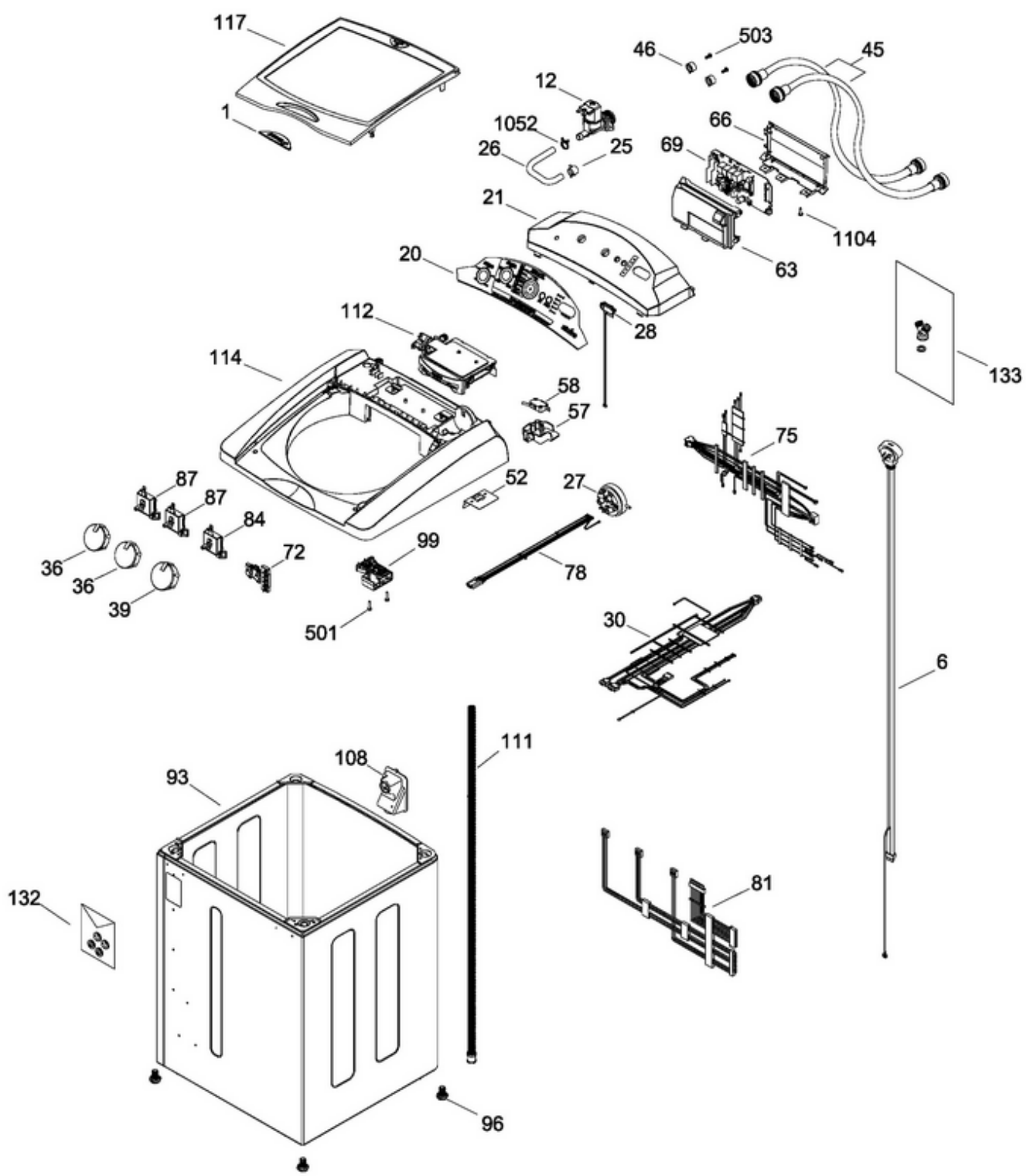


LAVADORA LMA15932PGAXS0

COPETE / BACKSPLASH
 GABINETE Y CUBIERTA / CABINET & COVER

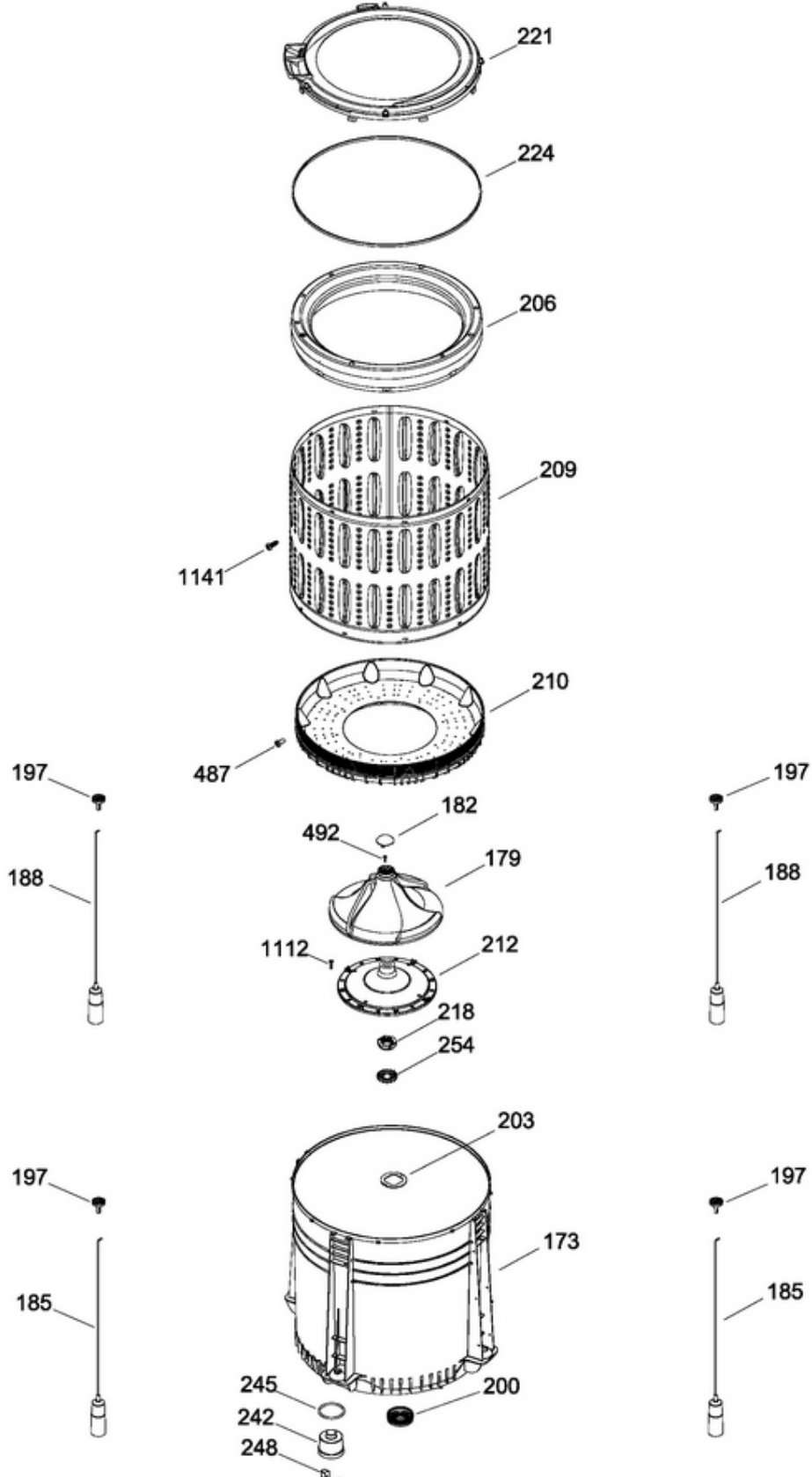
LMA15932PGAXS0



LAVADORA LMA15932PGXS0

PARTES PARA TINA / TUB, BASKET & AGITATOR

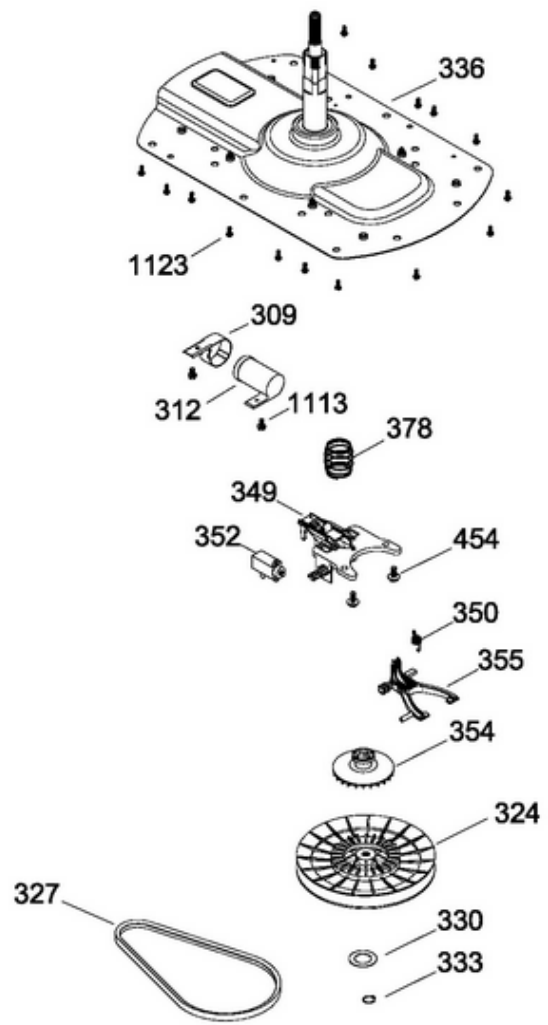
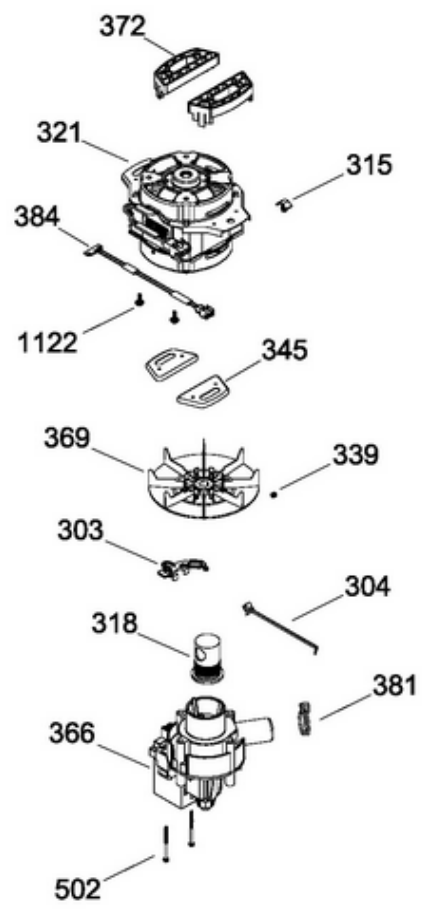
LMA15932PGXS0



LAVADORA LMA15932PGXS0

SISTEMA MOTRIZ / PUMP & DRIVE COMPONENTS

LMA15932PGXS0





LAVADORA LMA15932PGXS0

Guía	Refacción	Descripción
1	WW01L00368	LOGO GOTA
6	WW01F00113	CABLE TOMACORRIENTE
12	WW01F00278	VALVULA
20	WW01F00335	OVERLAY
20	WW03F00167	OVERLAY
21	WW01L00127	PAINEL DE CONTROLE
21	WW01L01487	PAINEL DE CONTROLE
25	WW01A00068	ABRAZADERA MANGUERA
26	WW01L00380	MANGUERA DESPACHADOR
26	WW01F00598	MANGUERA DESPACHADOR
27	WW01F00251	PRESOSTATO
28	WW01L00425	INDICADOR ENS.
28	WW01F00513	INDICADOR ENS.
30	WW01F00810	ARNES GABINETE
36	WW01L00389	ENS. PERILLA ROTATORIA
39	WW01L00393	ENS. PERILLA CONTROL
39	WW01L00377	ENS. PERILLA CONTROL
45	WW01L00500	MANGUERA
45	WW01F00597	MANGUERA
45	WW01F01987	MANGUERA
46	WW01A00112	ABRAZADERA MANGUERA
46	WW01A00113	ABRAZADERA MANGUERA
52	WW01A00054	SOPORTE METALICO
57	WW01A00088	SOPORTE SWITCH
58	WW01F00285	MICRO INTERRUPTOR
58	WW01F01582	MICRO INTERRUPTOR
63	WW01L00268	PROTECTOR TARJETA
66	WW01L00267	PROTECTOR BASE TARJETA
69	WW01F00290	TARJETA ELEC. TNT
72	WW01F00053	BOTON SELECTOR
72	WW01F00055	BOTON SELECTOR
75	WW01F00193	ARNES CUBIERTA
78	WW01F00166	ARNES PRESOSTATO
81	WW01F00168	ARNES SELECTOR
84	WW01F00341	SELECTOR PROGRAMA
87	WW01F00338	SELECTOR 5 PROGRAMAS
93	WW01L00963	ENS. GABINETE



LAVADORA LMA15932PGXS0

Guía	Refacción	Descripción
96	WW01L00468	PATA NIVELADORA
99	WW01L00469	ENS. BLOCAPUERTAS
99	WW01F01553	ENS. BLOCAPUERTAS
108	WW01L00080	TAPA MANGUERA
111	WW01L00470	MANGUERA
112	189D3741G019	ENSAMBLE DESPACHADOR GRAFITO
114	WW01L00442	CUBIERTA IGZ GRAFITO
114	WW01L00442	CUBIERTA IGZ GRAFITO
114	WW01L01485	COBERTURA
117	WW01L00119	TAPA
132	WW01A00058	KIT ACCESORIOS
133	WW01A00532	KIT Y CONECTOR
173	WW01L00436	TINA
173	WW01L01119	TINA
179	WW03F00089	INFUSOR
179	WW03A00157	INFUSOR
182	WW01L00315	TAPA INFUSOR
185	WW01L00495	ENS. VARILLA
188	WW01L00496	ENS. VARILLA
197	WW01F00265	ROTULA
200	WW01L00471	SELLO TINA
200	WW02F00547	SELLO TINA
203	WW01A00080	ARANDELA
206	WW01L00951	ENS. ANILLO BALANCEO
206	WW01L01503	ENS. ANILLO BALANCEO
209	WW01L01113	CANASTA
209	WW01L00153	CANASTA
210	WW01L00156	FONDO PLASTICO
210	WW01L00154	FONDO PLASTICO
210	WW01L00154	FONDO PLASTICO
212	WW01L01015	FONDO CANASTA FLOTADOR
212	WW01L00449	FONDO CANASTA FLOTADOR
212	WW01A00572	FONDO CANASTA
218	WW01A00048	TUERCA AMAZ IZQ.
221	WW01F00067	CUBIERTA TINA
224	WW01L00467	SELLO CUBIERTA TINA
242	WW01L00287	TAPON CAJA PRESOSTATO



LAVADORA LMA15932PGXS0

Guía	Refacción	Descripción
245	WW01F00277	O-RING
248	WW01A00079	CLIP TAPON PRESOSTATO
254	WW01F00347	EMBRAGUE FIJO
303	WW01A00046	SOPORTE TARJETA
303	WW01F01172	SOPORTE TARJETA
303	WW02F00224	SOPORTE TARJETA
304	WW01A00006	CINCHO ESPADA (BOMBA Y ARNES)
309	WW01A00041	ABRAZADERA
309	WW01F00342	ABRAZADERA
312	WW01F00343	CAPACITOR
315	WW01L00338	BOTON MONTAJE
318	WW01L00295	SELLO BOMBA
321	WW01F00203	ENS. MOTOR
321	WW03F00121	ENS. MOTOR
324	WW01F00043	POLEA TRANSMISION
327	WW01F00345	BANDA UNIFICADA
327	WW01F00345	BANDA UNIFICADA
330	WW01A00071	ARANDELA DE FRICCION
333	WW01A00069	ANILLO DE RETENCION
336	WW01F00134	SOPORTE LOW CO
339	WW01F00272	OPRESOR POLEA
345	WW01L00355	REFUERZO MOTOR
349	WW01A00031	SOPORTE HORQUILLA
350	WW01A00091	RESORTE HORQUILLA
352	WW01F00263	TERMOACTUADOR
354	WW01F00015	CAMBIADOR
354	WW02F00796	CAMBIADOR
355	WW01A00029	HORQUILLA CAMBIADOR
366	WW01F01337	BOMBA ASKOLL
369	WW01L00082	POLEA MOTOR ENS
372	WW01F00256	ESPACIADOR MOTOR
372	WW01F00256	ESPACIADOR MOTOR
378	WW01A00053	RESORTE CAMBIADOR
381	WW01A00104	ABRAZADERA BOMBA
384	WW01F00362	TARJETA SENSOR
384	WW01F01172	TARJETA SENSOR
384	WW02F00224	TARJETA SENSOR



LAVADORA LMA15932PGXS0

Guía	Refacción	Descripción
454	WW01A00106	TORNILLO VALVULA
454	WW01A00097	TORNILLO VALVULA
487	WW01A00089	TORNILLO
492	WW01A00065	TORNILLO
501	WW01A00075	TORNILLO LID LOCK
502	WW01A00081	TORNILLO BOMBA
503	WS01A01412	TORNILLO PLASTITE AUTORROSCANT
1104	WW01A00097	TORNILLO 8-18 X 7/16 AB FENIX
1112	WW01A00099	TORNILLO FONDO CANASTA
1113	WW01A00082	TORNILLO SOPORTE
1122	WW01A00076	TORNILLO SUJECION
1123	WW01A00084	TORNILLO
1141	WW01A00063	TORNILLO