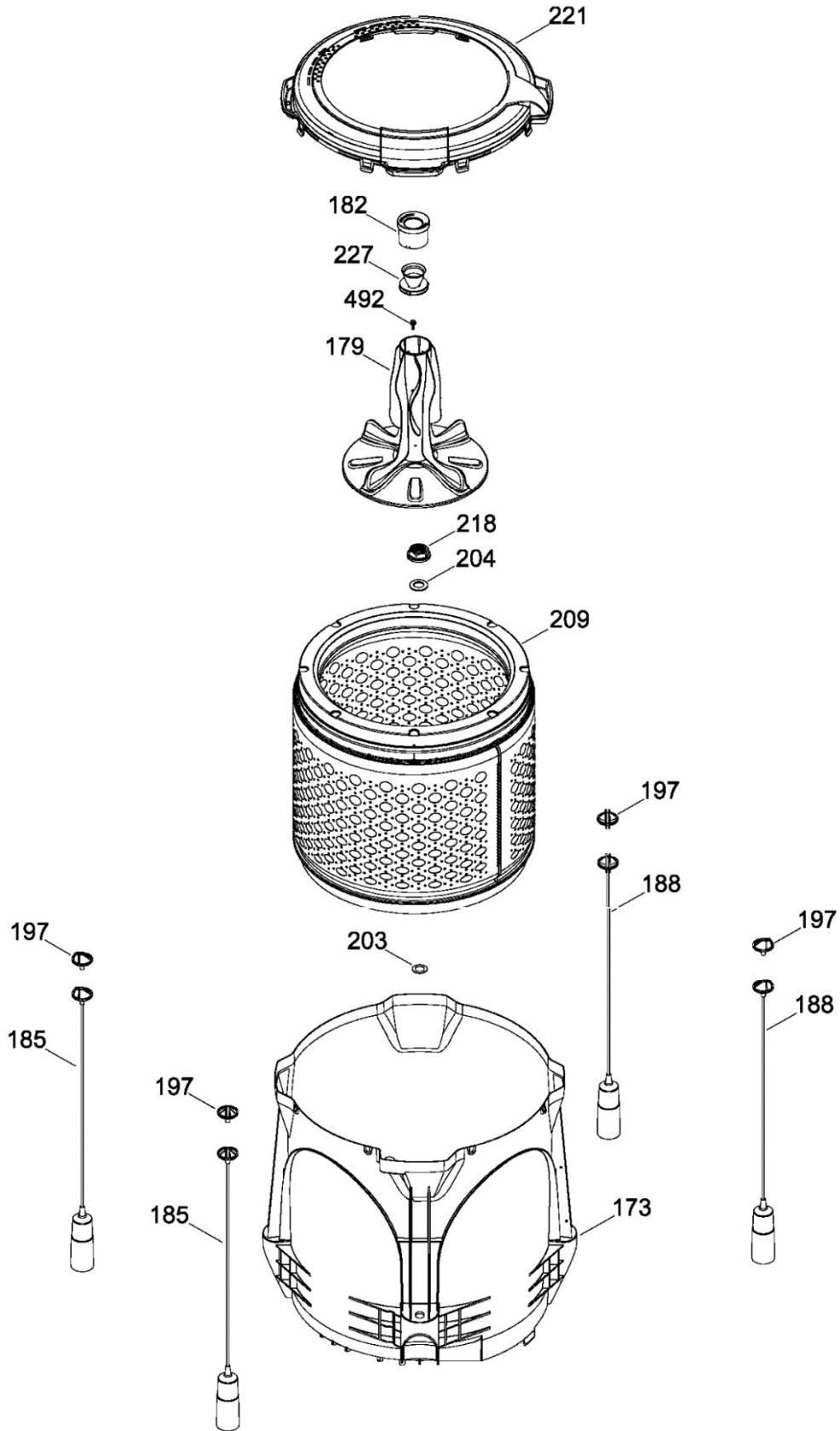
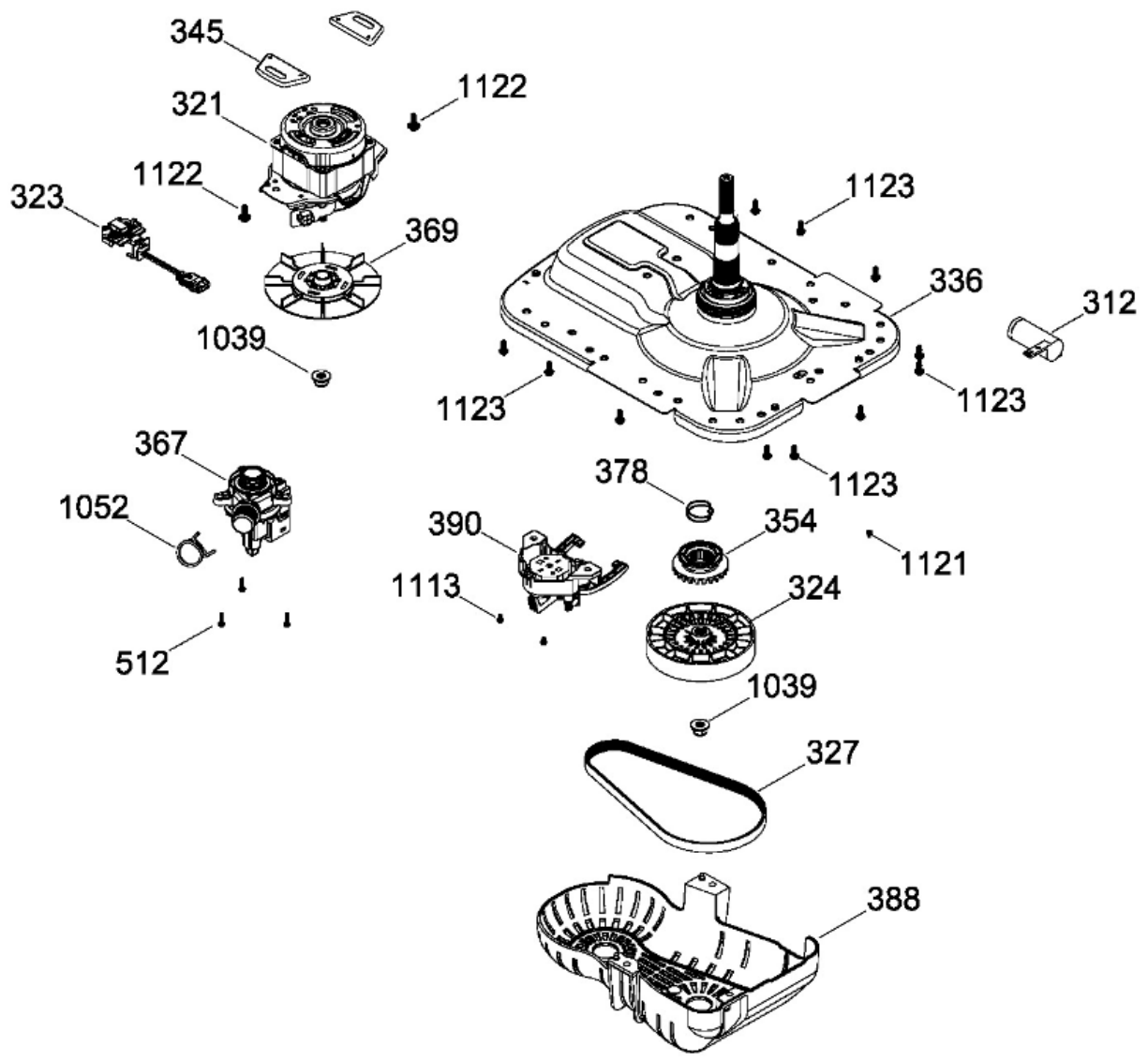


LAVADORA LMA78115VBAB03



LAVADORA LMA78115VBAB03





LAVADORA LMA78115VBAB03

| Guía | Componente | Descripción |
|------|-----------------|---------------------------|
| 6 | 233D2095G001 | ENSAMBLE TOMACORRIENTE |
| 9 | 277B2275P001 | GOMA TAPA |
| 12 | 290D1316G004 | VALVULA AGUA DOBLE |
| 21 | 233D2588G003 | ETIQUETA Y COPETE ENS |
| 30 | 233D2053G002 | ARNES PRINCIPAL |
| 31 | 233D2309P002 | SELLADOR COPETE |
| 34 | 233D2309P003 | SELLADOR COPETE |
| 35 | 233D2308P002 | PAPEL TERMOVOLT |
| 36 | 253C1247G001 | PERILLA ROTATORIA |
| 39 | 253C1252G001 | PERILLA CONTROL |
| 44 | 253C1196P001 | PIN ALINEAMINETO |
| 45 | 233D1368G001 | MANGUERA |
| 49 | 234D2296P002 | PANEL POSTERIOR COPETE |
| 56 | 233D2056G001 | ARNES SEGURO TAPA |
| 59 | 253C1303P001 | CLIP CABLE |
| 62 | 253C1242P002 | BOTON INICIO / PAUSA |
| 66 | 253C1261P001 | SOPORTE TARJETA CONTROL |
| 69 | EMX1740P011R000 | TARJETA CONTROL |
| 78 | 233D2055G004 | ARNES VALVULAS |
| 85 | 290D2272G001 | SELECTOR ENSAMBLE |
| 93 | 233D2157G008 | GABINETE ENSAMBLE |
| 96 | 253C1245P001 | PATA NIVELADORA |
| 96 | 253C1245P002 | PATA NIVELADORA |
| 98 | 277B2259P001 | BISEL BLOCAPUERTAS |
| 99 | 233D2274P002 | SEGURO TAPA |
| 103 | 253C1182P001 | BISAGRA IZQUIERDA |
| 104 | 253C1236P001 | BISAGRA DERECHA |
| 106 | 253C1180P003 | BUJE |
| 107 | 253C1180P004 | BUJE |
| 108 | 233D1956P001 | CUBIERTA MANGUERA |
| 108 | 233D1956P002 | CUBIERTA MANGUERA |
| 111 | 253C1194G001 | MANGUERA DRENADO ENSAMBLE |
| 114 | 233D1995P004 | CUBIERTA SUPERIOR |
| 117 | 233D2050G001 | TAPA VIDRIO ENSAMBLE |
| 120 | 277B2481G001 | ENSAMBLE ACTUADOR |



LAVADORA LMA78115VBAB03

| Guía | Componente | Descripción |
|------|--------------|-----------------------------|
| 124 | 253C1301P001 | SOPORTE CUBIERTA |
| 132 | 233D1397G002 | BOLSA ACCESORIOS |
| 155 | 253C1177P002 | DESPACHADOR DE CLORO |
| 173 | 233D2316G001 | TINA ENSAMBLE |
| 179 | 233D2041P001 | AGITADOR |
| 182 | 233D2131P001 | TAPA DESPACHADOR SUAVIZANTE |
| 182 | 233D2131P002 | TAPA DESPACHADOR SUAVIZANTE |
| 185 | 233D2080G001 | ENSAMBLE SUSPENSION |
| 188 | 233D2080G002 | ENSAMBLE SUSPENSION |
| 197 | 233D2079P001 | ROTULA SUPERIOR |
| 203 | 277B2274P001 | ARANDELA FONDO CANASTA |
| 204 | 253C1225P001 | ARANDELA CONICA |
| 209 | 233D2181P001 | CANASTA ENSAMBLE |
| 218 | 253C1224P001 | TUERCA CANASTA |
| 221 | 233D1950P001 | CUBIERTA TINA |
| 227 | 233D2130P001 | COPA DESPACHADOR SUAVIZANTE |
| 312 | 253C1255P006 | CAPACITOR |
| 321 | 233D1980P010 | MOTOR1/3HP-MCM-127v-60Hz |
| 323 | 233D2227P001 | SENSOR DE VELOCIDAD |
| 324 | 290D1118P002 | POLEA TRANSMISION |
| 327 | 253C1275P001 | BELT DRIVE |
| 336 | 233D2549G001 | SOPORTE ENSAMBLE |
| 345 | 323B2167P002 | REFUERZO MOTOR |
| 367 | 233D2106G002 | BOMBA DE DRENADO ENSAMBLE |
| 369 | 290D1164G001 | POLEA MOTOR |
| 378 | 228C2367P001 | RESORTE CAMBIADOR |
| 388 | 233D2519P002 | CORREA CUBIERTA |
| 390 | 233D2202G001 | SISTEMA DE CAMBIO ENSAMBLE |
| 464 | 323B2132P002 | TORNILLO 8-18 BT |
| 492 | 323B1346P004 | TORNILLO |
| 508 | 253C1302P001 | TAPON BELLEZA |
| 512 | 323B2575P001 | TORNILLO VALVULA |
| 515 | 253C1276P001 | TORNILLO CUBIERTA |
| 700 | 8911201P404 | TORNILLO |
| 1039 | 253C1234P001 | TUERCA POLEA |



LAVADORA LMA78115VBAB03

| Guía | Componente | Descripción |
|------|--------------|--------------------------------|
| 1052 | 323B2665P002 | ABRAZADERA |
| 1104 | 8911201P341 | TORNILLO 8-18 X 7/16 AB FENIX |
| 1109 | 277B1126P001 | TO 2RNILLO 8-16B FLP .525 S ZN |
| 1113 | 323B2148P001 | TORNILLO SOPORTE |
| 1121 | 109B3403P052 | TORNILLO |
| 1122 | 323B2094P004 | TORNILLO MOTOR |
| 1123 | 323B2190P002 | TORNILLO |