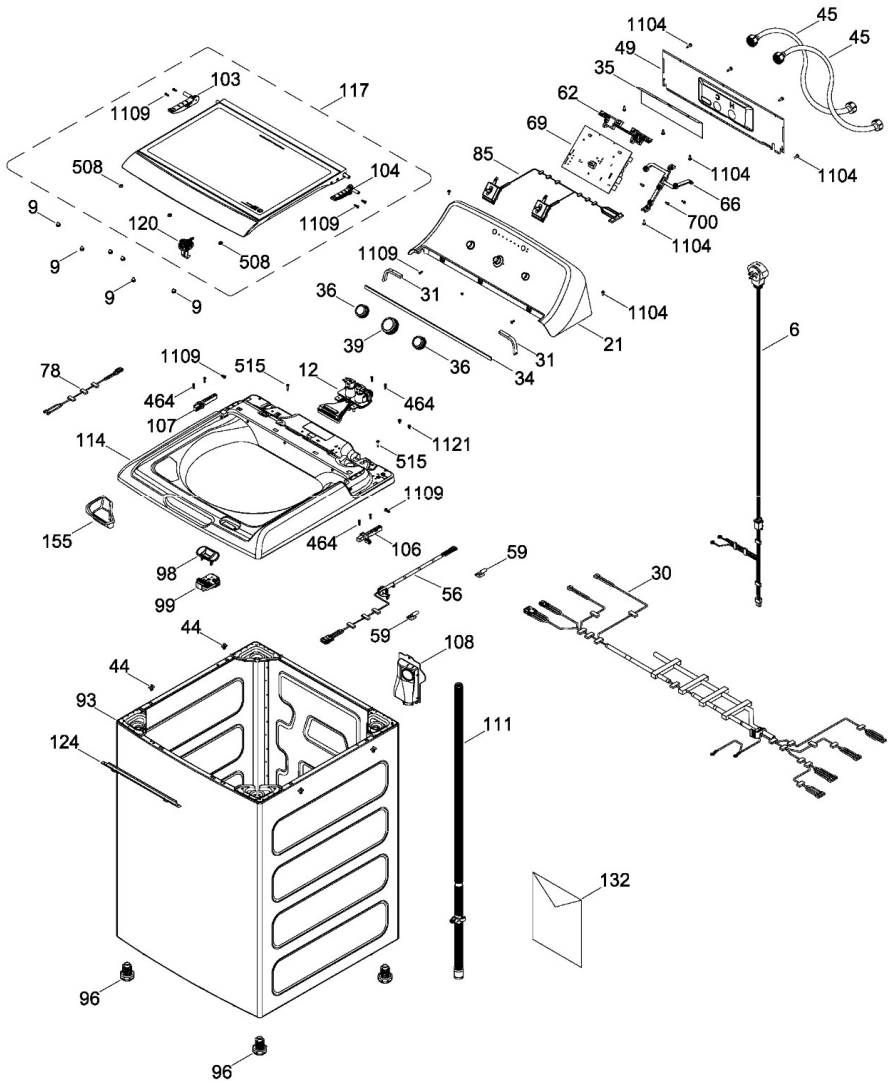
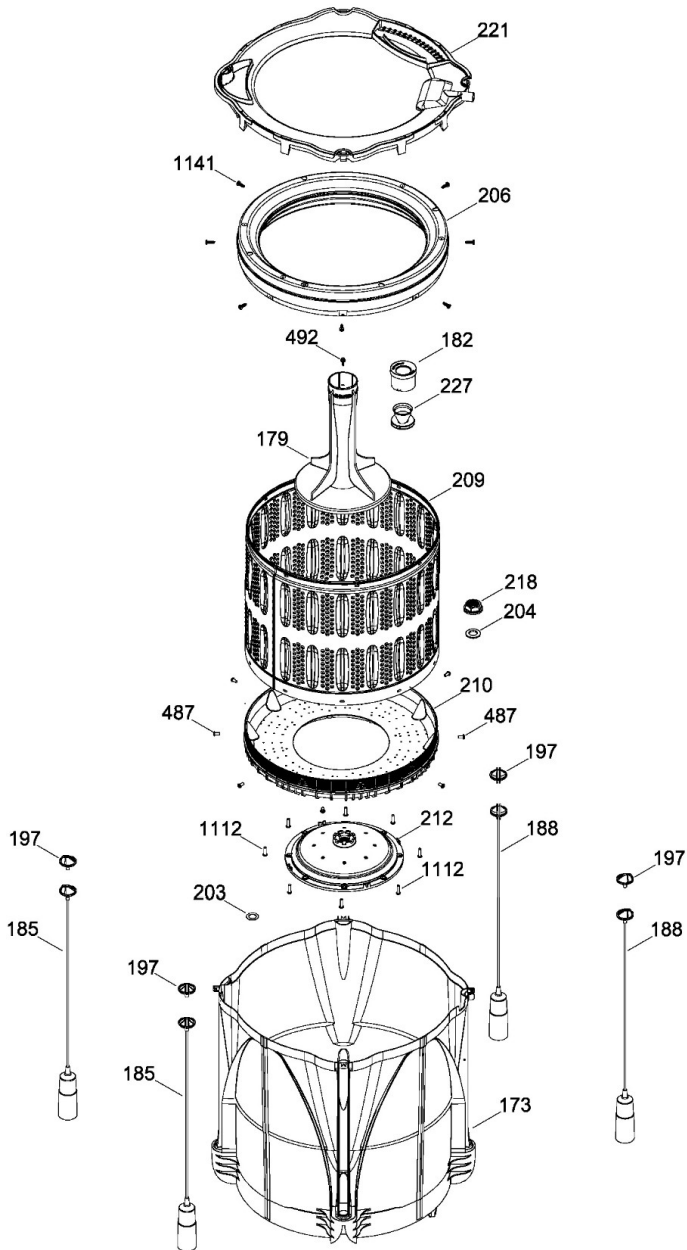


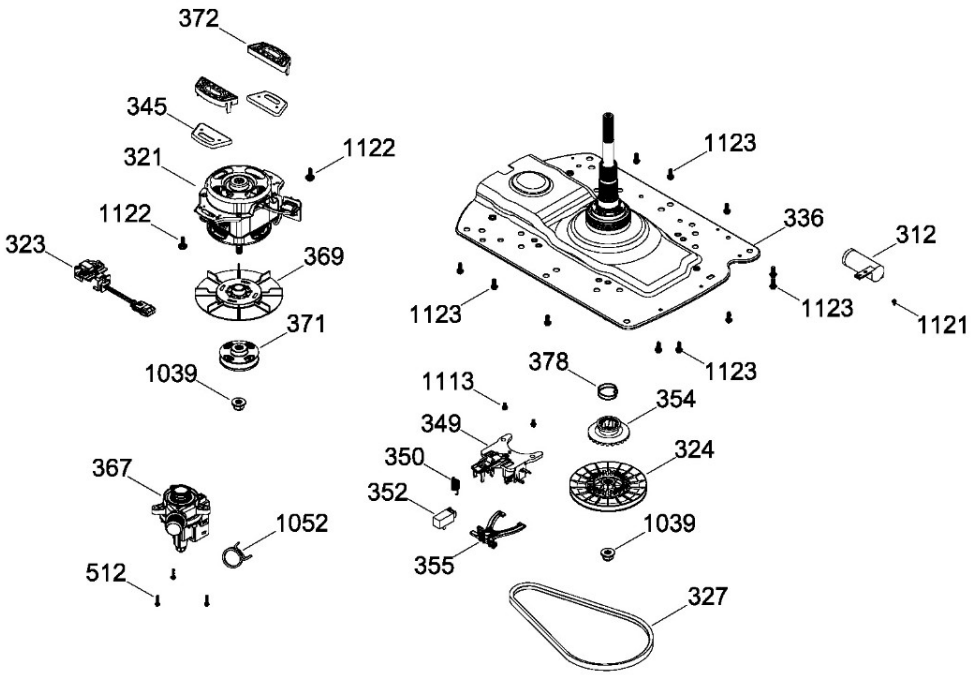
Mabe Kraken LMA79113VBAB01



Mabe Kraken LMA79113VBAB01



Mabe Kraken LMA79113VBAB01





Mabe Kraken LMA79113VBAB01

Guía	Componente	Descripción
6	233D2095G001	ENSAMBLE TOMACORRIENTE
9	277B2275P001	GOMA TAPA
12	290D1316G004	VALVULA AGUA DOBLE
12	290D1316G009	VALVULA AGUA DOBLE
21	233D2590G010	ENSAMBLE IML Y COPETE
30	233D2109G002	ARNES PRINCIPAL
31	233D2309P002	SELLADOR COPETE
34	233D2309P003	SELLADOR COPETE
35	233D2308P002	PAPEL TERMOVOLT
36	253C1247G001	PERILLA ROTATORIA
39	253C1252G001	PERILLA CONTROL
44	253C1196P001	PIN ALINEAMINETO
45	233D1368G001	MANGUERA
45	233D2851G001	MANGUERA
49	234D2296P002	PANEL POSTERIOR COPETE
56	233D2056G001	ARNES SEGURO TAPA
59	253C1303P001	CLIP CABLE
62	253C1242P002	BOTON INICIO / PAUSA
66	253C1261P001	SOPORTE TARJETA CONTROL
69	EMX1740P001R000	TARJETA CONTROL
78	233D2055G004	ARNES VALVULAS
85	233D2096G001	ENSAMBLE SELECTOR
93	233D2157G008	GABINETE ENSAMBLE
96	253C1245P001	PATA NIVELADORA
96	253C1245P002	PATA NIVELADORA
96	253C1245P003	PATA NIVELADORA
98	277B2259P001	BISEL BLOCAPUERTAS



Mabe Kraken LMA79113VBAB01

Guía	Componente	Descripción
99	233D2274P002	SEGURO TAPA
103	253C1182P001	BISAGRA IZQUIERDA
104	253C1236P001	BISAGRA DERECHA
106	253C1180P003	BUJE
107	253C1180P004	BUJE
108	233D1956P001	CUBIERTA MANGUERA
108	233D1956P002	CUBIERTA MANGUERA
111	253C1194G002	MANGUERA DRENADO ENSAMBLE
114	233D1995P004	CUBIERTA SUPERIOR
117	233D2050G001	TAPA VIDRIO ENSAMBLE
120	277B2481G001	ENSAMBLE ACTUADOR
124	253C1301P001	SOPORTE CUBIERTA
132	233D1397G002	BOLSA ACCESORIOS
155	253C1177P002	DESPACHADOR DE CLORO
173	233D2315G001	TINA ENSAMBLE
179	233D2243P001	AGITADOR
182	233D2131P001	TAPA DESPACHADOR SUAVIZANTE
182	233D2131P002	TAPA DESPACHADOR SUAVIZANTE
185	233D2080G003	ROD ASSEMBLY
188	233D2080G004	ENSAMBLE SUSPENSION
197	233D2079P001	ROTULA SUPERIOR
203	277B2274P001	ARANDELA FONDO CANASTA
204	253C1225P001	ARANDELA CONICA
206	189D1111G007	ARO BALANCE ENSAMBLE
209	189D3561P008	CANASTA ACERO INOXIDABLE
209	233D2655P001	CANASTA ACERO INOXIDABLE
210	189D3562P001	FONDO PLASTICO



## Mabe Kraken LMA79113VBAB01

Guía	Componente	Descripción
212	189D3971P004	FONDO CANASTA
218	253C1224P001	TUERCA CANASTA
221	189D5375P005	CUBIERTA TINA
221	233D2656P001	CUBIERTA TINA
227	233D2130P001	COPA DESPACHADOR SUAVIZANTE
312	253C1255P001	CAPACITOR
312	253C1255P005	CAPACITOR
321	233D2246P003	MOTOR INDUCTION 1/4 HP 127v-60Hz
323	233D2227P001	SENSOR DE VELOCIDAD
324	189D2652P001	POLEA TRANSMISION
327	228C2115P003	BANDA UNIFICADA
336	233D2549G003	SOPORTE ENSAMBLE
345	323B2167P001	REFUERZO MOTOR
349	189D3938P001	SOPORTE HORQUILLA
350	323B2560P001	RESORTE HORQUILLA
352	228C2329P001	TERMOACTUADOR
354	189D2010P001	CAMBIADOR
355	189D3937P001	HORQUILLA CAMBIADOR
367	233D2106G002	BOMBA DE DRENADO ENSAMBLE
369	233D2408G001	MOTOR VENTILADOR Y MAGNETO
369	233D2408G003	MOTOR VENTILADOR Y MAGNETO
371	253C1289P002	MOTOR POLEA
371	253C1332G002	MOTOR POLEA
372	253C1092P003	ESPACIADOR MOTOR
378	228C2367P001	RESORTE CAMBIADOR
464	323B2132P002	TORNILLO 8-18 BT
487	323B2433P001	TORNILLO



Mabe Kraken LMA79113VBAB01

Guía	Componente	Descripción
492	323B1346P004	TORNILLO
508	253C1302P001	TAPON BELLEZA
512	323B2575P001	TORNILLO VALVULA
515	253C1276P001	TORNILLO CUBIERTA
700	8911201P404	TORNILLO
1039	253C1234P001	TUERCA POLEA
1052	323B2665P002	ABRAZADERA
1104	8911201P341	TORNILLO 8-18 X 7/16 AB FENIX
1109	277B1126P001	TO 2RNILLO 8-16B FLP .525 S ZN
1112	8911238P041	TORNILLO FONDO CANASTA
1113	323B2148P001	TORNILLO SOPORTE
1121	109B3403P052	TORNILLO
1122	323B2094P004	TORNILLO MOTOR
1123	323B2190P002	TORNILLO
1141	323B1193P001	TORNILLO