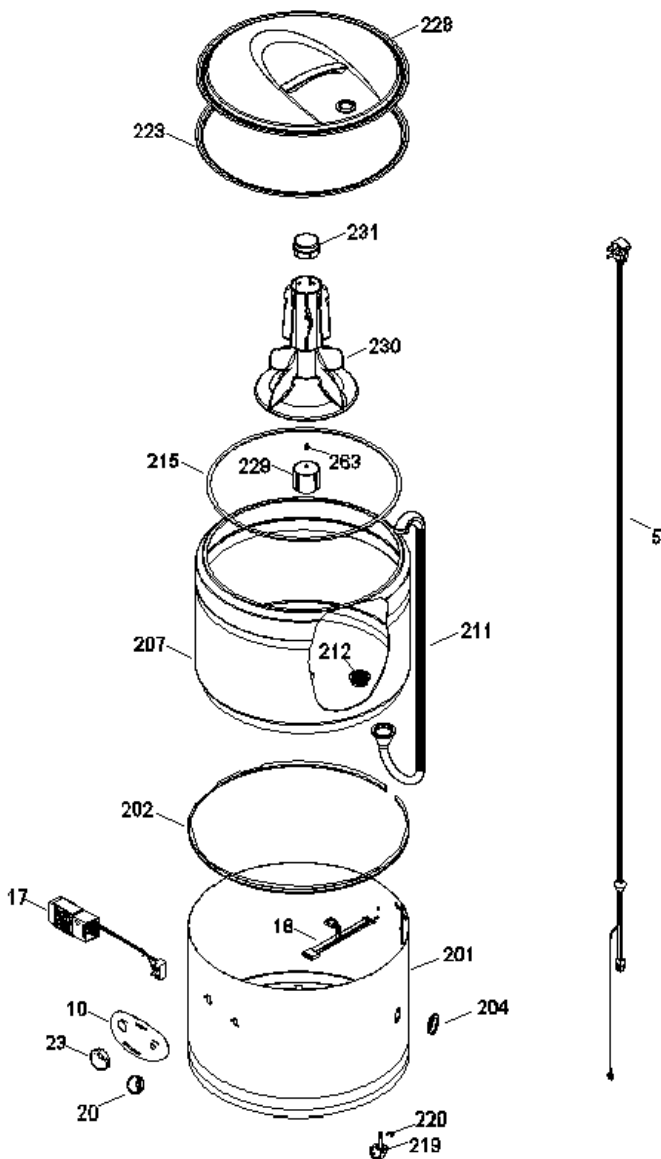
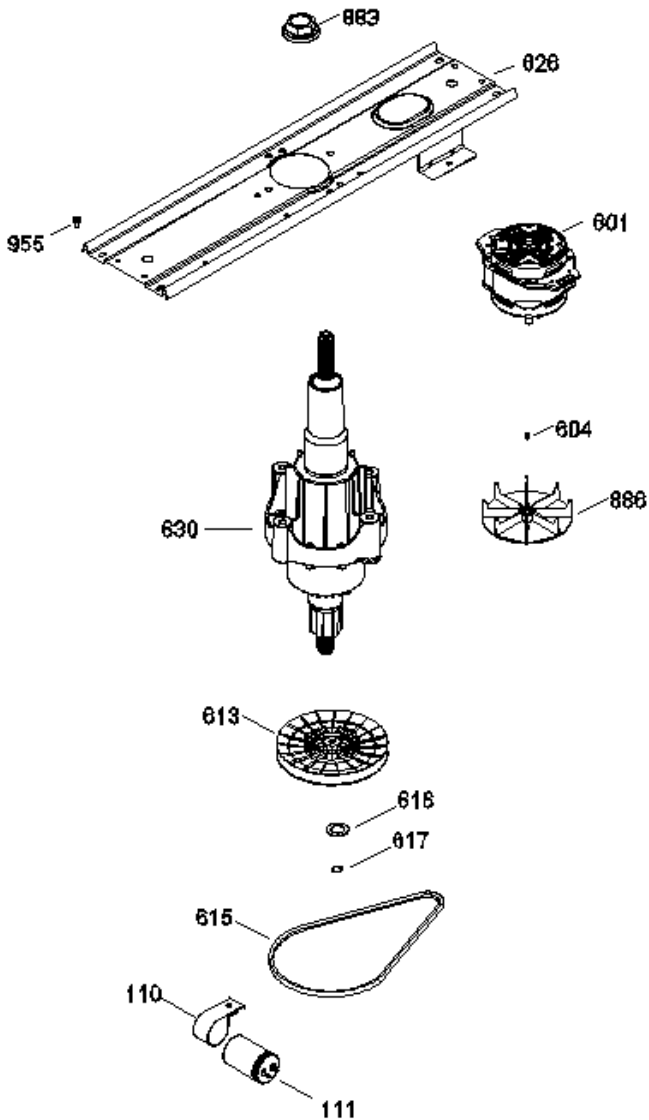


LMC163TV0



LMC163TV0





LMC163TV0

| | | |
|-----|--------------|--------------------------------|
| 5 | 188D2782P002 | TOMACORRIENTE 3 TERMIN. TITAN |
| 10 | 322B3096P001 | PLACA DECORATIVA LMC163T |
| 17 | 188D2789P006 | TIMER SR C/ SWITCH VELOCIDADES |
| 18 | 188D1172G004 | ARNES CANAL TITAN (3 TERMIN) |
| 20 | 322B3098G001 | ENS.PERILLA ROTAT.BLANCA SR |
| 23 | 322B2537G002 | PERILLA CONTROL ENS.(BCA.) |
| 107 | 322B2779P005 | ARANDELA PLANA TAPA |
| 110 | 322B2680P002 | ABRAZADERA CAPACITOR 45 Y 60U |
| 111 | 322B2820P003 | CAPACITOR MOTOR 16KG |
| 201 | 227C2643G014 | ENS.FALDON 16-18KG VERDE (3V) |
| 202 | 322B3021P002 | EMPAQUE FALDA TITAN MABE |
| 204 | 322B2506P005 | GROMET PROTECTOR MABE |
| 207 | 188D2791G002 | TINA ENS |
| 211 | 322B2991G002 | ENS.MANGUERA GRIS BOQ.CORTA |
| 212 | 322B2990P001 | COLADERA BOQUILLA CORTA |
| 215 | 322B3049P004 | MOLDURA TINA PP TITAN MABE |
| 219 | 322B3010P001 | RODAJA SIN RODS TITAN |
| 220 | 322B2734P002 | CANDADO ANILLO RODAJA |
| 223 | 322B2503P003 | EMPAQUE TAPA TITAN VERDE |
| 228 | 188D2765G002 | TAPA TINA TITAN VERDE ENS |
| 229 | 189D1678P001 | COPELE AGITADOR |
| 230 | 188D2717G001 | AGITADOR ENSAMBLE |
| 231 | 189D1162P003 | TAPON AGITADOR MORADO |
| 263 | 323B1346P001 | TORNILLO C/GROMET COPELE |
| 601 | 227C2648P002 | MOTOR 16KG IBC |
| 604 | 322B2746P004 | PRISIONERO 5/16"-24 X 1/2" |
| 613 | 189D2652P001 | POLEA TRANSMISION |
| 615 | 322B2735P009 | BANDA PHILBELT 30" |
| 616 | 323B2052P001 | ARANDELA DE FRICCION |
| 617 | 323B2000P001 | ANILLO DE RETENCION |
| 626 | 188D2719G022 | ENS. CANAL TITAN UNIF PINT |
| 630 | 189D4067G002 | TRANSMISION UNIFICADA ACERO |
| 883 | 322B2913P001 | TUERCA TRANSMISION |

| | | |
|-----|--------------|-------------------------------|
| 886 | 322B3040G001 | ENSAMBLE POLEA VENTILADOR |
| 955 | 322B1037P003 | TORN.PLASTITE TORX 6-19X0.312 |