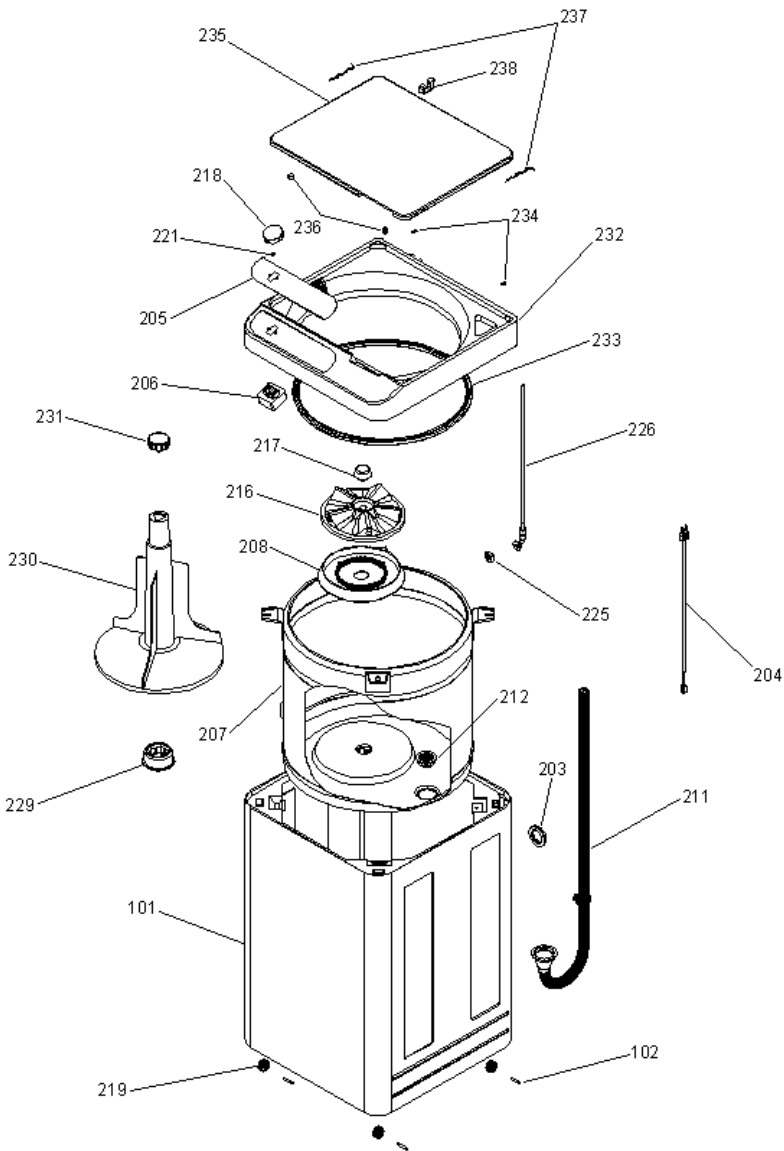
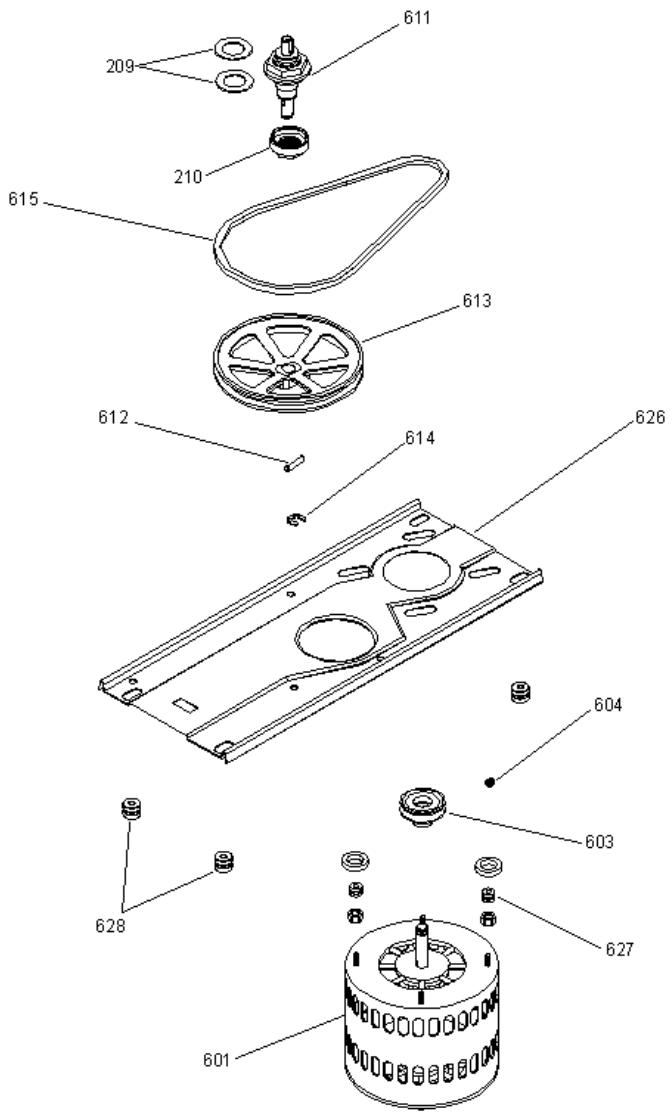


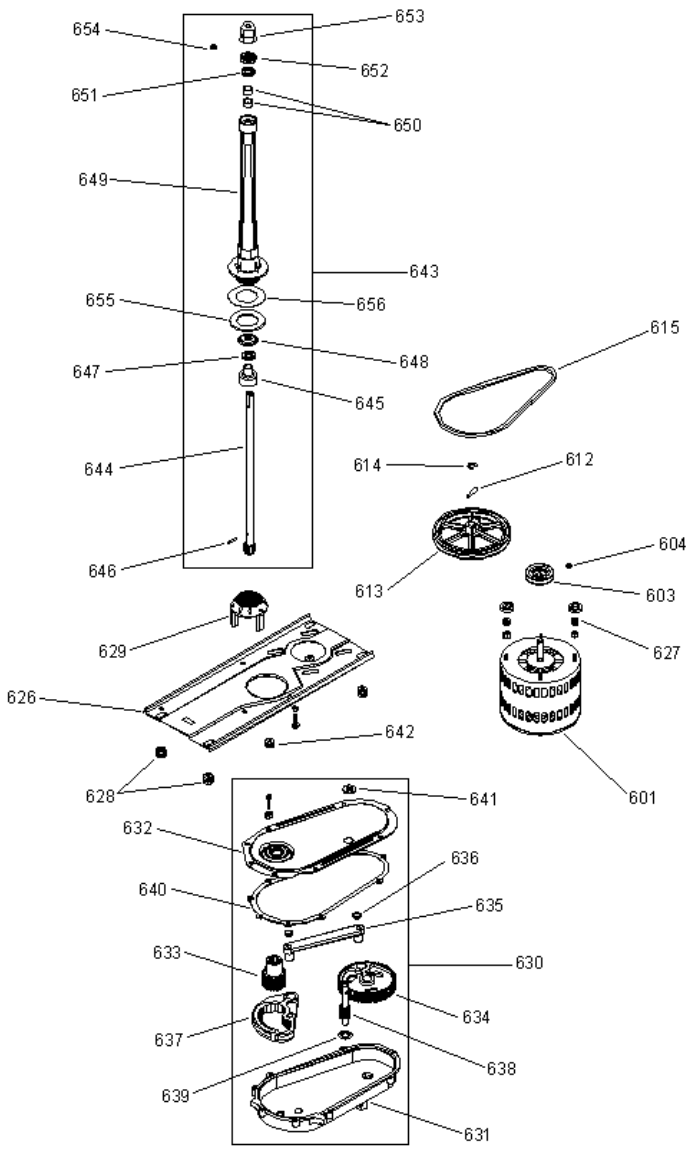
**LMC403B1**



**LMC403B1**



**LMC403B1**





LMC403B1

101	TW8488G005	SUB-ENS. GABINETE PROP. (BCO.) (S/P)
102	KW1307P001	EJE RODAJA <b>DESCONTINUADO</b>
203	KW3555P002	PROTECTOR MANGUERA GRIS <b>DESCONTINUADO</b>
204	MW4808P002	CORDON TOMACORRIENTE "Q" <b>DESCONTINUADO</b>
205	MW5132P001	PLACA DECORATIVA MABE 5 MIN. <b>DESCONTINUADO</b>
206	227C1034P002	CONTROL DE TIEMPO (127 V.) (S/P)
207	TW8497G003	SUB-ENS. TINA PROP. "Q" <b>DESCONTINUADO</b>
208	189D2583P002	PROTECTOR PROPELA (S/P)
209	322B2742P001	EMPAQUE ENSAMBLE CHUMACERA (S/P)
210	227C2587P001	TUERCA CHUMACERA (S/P)
211	322B2754G001	MANGUERA DESAGÜE "Q" ENS. (S/P)
212	227C2573P001	COLADERA DESAGÜE (S/P)
216	7201011	PROPELA ENS. (S/P)
217	188D2566G002	TAPON PROPELA ENS. (S/P)
218	TW8502P001	PERILLA CONTROL (BCA.) <b>DESCONTINUADO</b>
219	322B2531P001	RODAJA "Q" (S/P)
221	KW3729P001	CLIP PERILLA CONTROL (S/P)
225	MW5118P001	BOQUILLA MANGUERA BLANQ. <b>DESCONTINUADO</b>
226	MW5108P001	MANGUERA BLANQUEADOR "Q" <b>DESCONTINUADO</b>
232	TW8486P001	MARCO GABINETE BLANCO <b>DESCONTINUADO</b>
233	MW5106P001	EMPAQUE MARCO TINA <b>DESCONTINUADO</b>
234	MW5121P001	TORN. MARCO (LAVS. "Q") <b>DESCONTINUADO</b>
235	96000697	TAPA CUADRADA (BCA.) <b>DESCONTINUADO</b>
236	123C8091P001	PROTECTOR PARA TAPA (S/P)
237	123C8029	BISAGRA DE ALAMBRE CORTA (S/P)
238	MW5143P001	SOPORTE TAPA (BCA.) <b>DESCONTINUADO</b>
601	PW6334P002	MOTOR "Q" (127 V./60 HZ.) (S/P)
603	MW4846P001	POLEA MOTOR <b>DESCONTINUADO</b>
604	KW2525P011	PRISIONERO 5/16"-24 X 1/2" <b>DESCONTINUADO</b>
611	MW4809G001	ENSAMBLE CHUMACERA (S/P)
612	322B2733P001	PERNO DE ARRASTRE (S/P)
613	188D2569P001	POLEA TRANSMISION (S/P)
614	780410201	CANDADO "E" (S/P)

615	322B2735P001	BANDA "V" 32" "Q" (PROPELA) <b>(S/P)</b>
626	188D1194P001	CANAL TRANSMISION (NVA. SUJ.) <b>(S/P)</b>
627	322B2655P004	GROMMET MOTOR <b>(S/P)</b>
628	322B2655P003	GROMMET MOTOR Y CANAL TRANSM. <b>(S/P)</b>