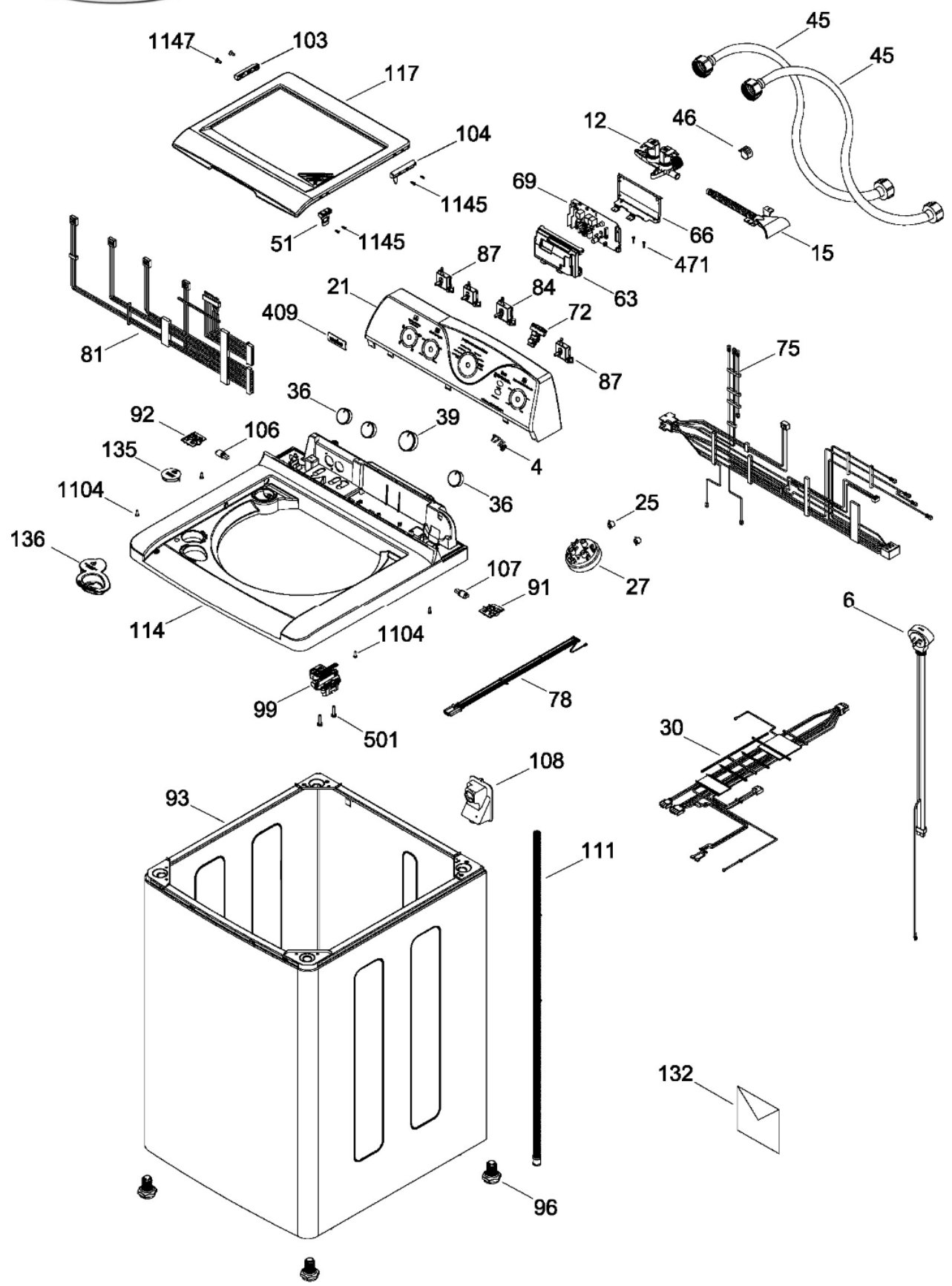
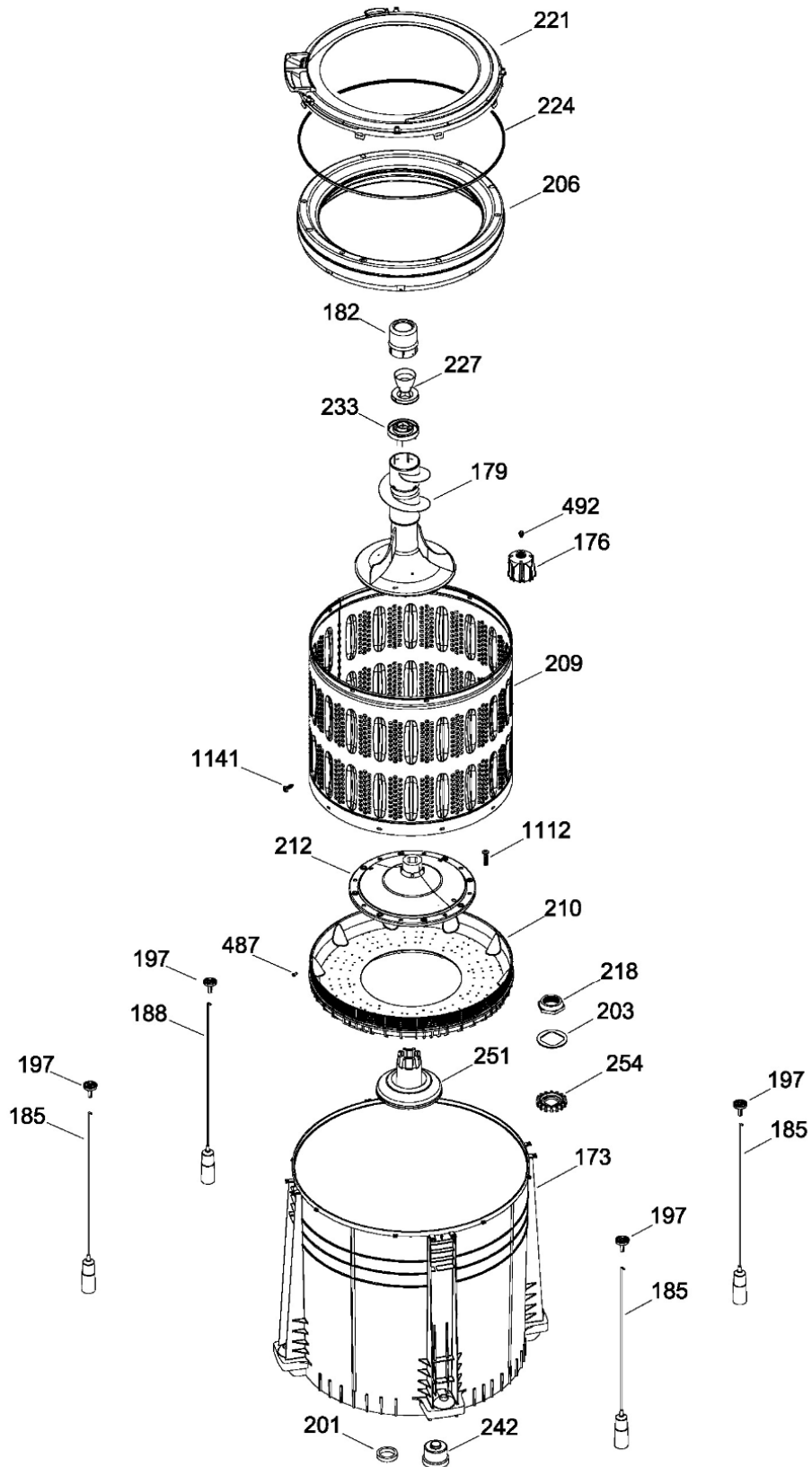


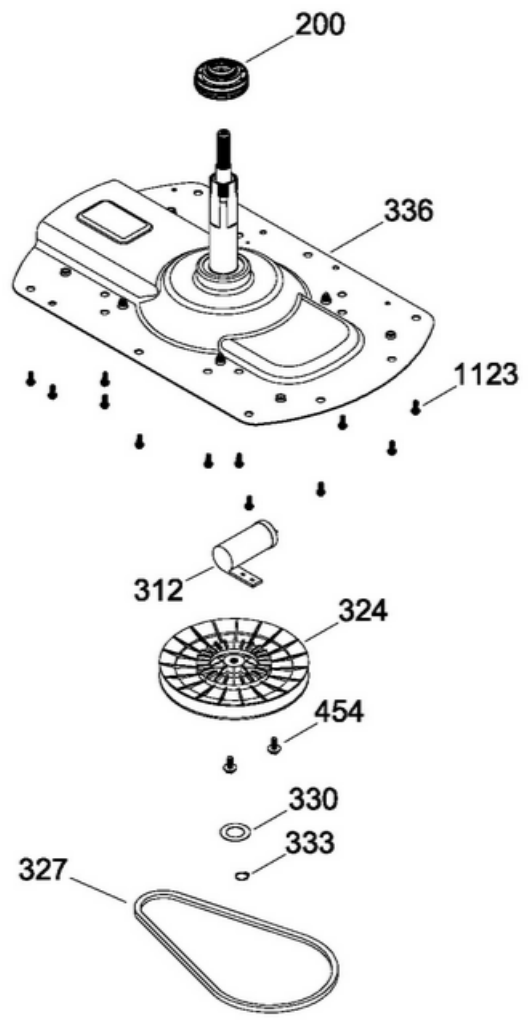
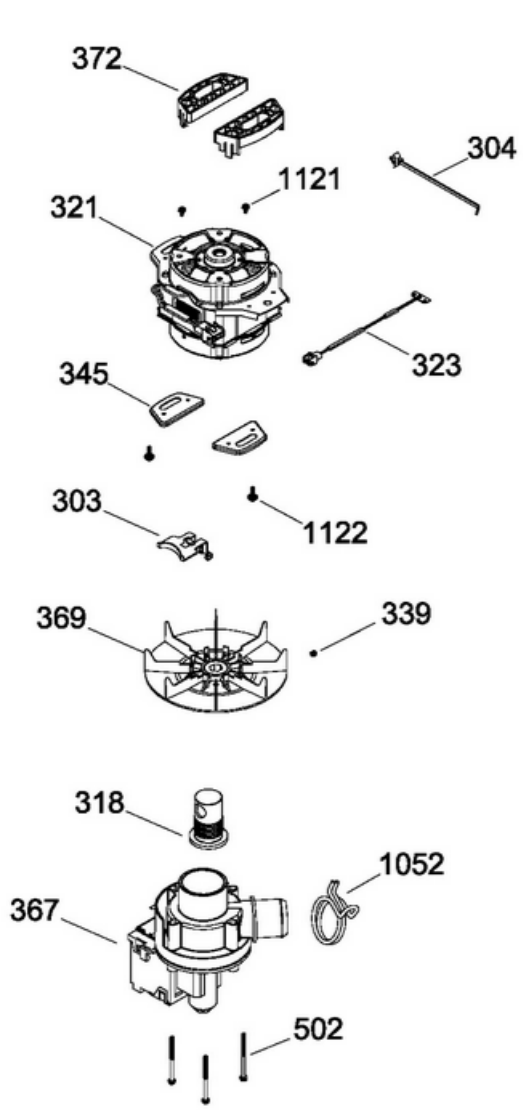
LAVADORA LME17400XBB00



LAVADORA LME17400XBB00



LAVADORA LME17400XBB00





LAVADORA LME17400XBB00

Guía	Componente	Descripción
4	277B1241P006	LOGO 17KG
6	189D3208P002	CABLE TOMACORRIENTE
12	189D1664G001	ENS. VALVULA DE AGUA
15	323B2198P005	ENTRADA DE AGUA
21	233D1546G005	COPETE Y GRAFICOS ENS(BCO)
25	323B1408P001	ABRAZADERA MANGUERA
27	228C2084P006	PRESOSTATO
30	189D3983G009	ARNES GABINETE
36	323B2342G018	PERILLA ROTATORIA
39	323B2343G017	ENS. PERILLA CONTROL
45	233D1368G001	MANGUERA
46	277B1146P002	ABRAZADERA MANGUERA
51	253C1100P001	ACTUADOR TAPA
52	228C2385P003	SOPORTE CONECTOR
63	189D5009P001	PROTECTOR CUBIERTA TARJETA
66	189D5319P001	BASE PROTECTOR TARJETA
69	T26G12R13	TARJETA TNT
72	189D2762G016	BOTON SELECTOR
75	189D3830G018	ARNES CUBIERTA
78	189D3652G002	ARNES PRESOSTATO
81	189D3653G012	ARNES CAJA QUEMADORES
84	228C1256G005	SELECTOR PROGRAMA
87	228C1256G003	SELECTOR PROGRAMA
91	253C1112P002	SOPORTE DAMPER DERECHO
92	253C1112P001	SOPORTE DAMPER IZQUIERDO
93	189D2655G009	ENS. GABINETE 10KG CURVO
93	189D2655G011	ENS. GABINETE 10KG CURVO
96	228C1202P001	PATA NIVELADORA
99	253C1098P001	BLOCAPUERTA
104	253C1113P001	BISAGRA DAMPER DERECHA
105	253C1114P001	BISAGRA AMORTIGUADOR IZQUIERDA
106	253C1170P001	AMORTIGUADOR
107	253C1170P004	DAMPER
108	323B2659P001	TAPA MANGUERA
111	253C1066G002	MANGUERA



LAVADORA LME17400XBB00

Guía	Componente	Descripción
114	233D1487P002	CUBIERTA
114	233D1487P009	CUBIERTA
117	233D1490P004P	TAPA LAV (POST BLANCA)
132	233D1397G002	BOLSA ACCESORIOS
135	253C1193P001	CUBIERTA SUAVIZANTE
136	253C1192P001	CUBIERTA BLANQUEADOR
173	189D2668P002	TINA
173	189D2668P003	TINA
176	189D3624P001F	COPLA AGITADOR LOW COS
179	189D3746G001	ENS. AGITADOR
182	189D1180P002	TAPA FSD
185	189D3916G011	ENS. VARILLA
188	189D3916G012	ENS. VARILLA
197	228C2372P001	ROTULA
200	228C2451P001	SELLO TINA
200	228C2451P003	SELLO TINA
201	277B1272P001	GASKET
203	323B2127P001	ARANDELA
206	189D1111G005	ARO DE BALANCE ENS
209	189D3561P008	CANASTA ACERO INOXIDABLE
209	233D2655P001	CANASTA ACERO INOXIDABLE
210	189D3562P002F	FONDO PLASTICO
210	189D3562P003	FONDO PLASTICO
210	189D3562P001	FONDO PLASTICO
212	189D3533P001L	FONDO CANASTA
212	233D2211G001	FONDO CANASTA
218	228C2160P001	TUERCA AMAZ IZQ.
221	189D2789P001	CUBIERTA TINA
221	189D2789P003	CUBIERTA TINA
224	228C1177P002	SELLO TINA
227	189D1626P002C	COPA SUAVIZANTE AZUL
227	189D1626P005	COPA SUAVIZANTE AZUL
233	189D1893P001C	RETARDANTE DE FLUJO
242	228C2217P001F	TAPON TUBO PRESOSTATO
242	228C2217P001	TAPON TUBO PRESOSTATO



LAVADORA LME17400XBB00

Guía	Componente	Descripción
242	228C2217P002	TAPON TUBO PRESOSTATO
251	189D3590G001	ENS. FLOTADOR
254	228C2415P001	EMBRAGUE FIJO
303	253C1058P001	SOPORTE TARJETA SENSOR
304	143B9478P001	CINCHO ESPADA (BOMBA Y ARNES)
312	228C1259P001	CAPACITOR
318	228C2136P001	SELLO BOMBA
321	233D1560P001	MOTOR 127V/60HZ
323	253C1142P003	TARJETA SENSOR
324	189D2652P001	POLEA TRANSMISION
327	228C2115P003	BANDA UNIFICADA
330	323B2052P001	ARANDELA DE FRICCION
333	323B2000P001	ANILLO DE RETENCION
336	189D3593G001	SOPORTE LOW CO
339	323B1279P002	OPRESOR POLEA
345	323B2167P001	REFUERZO MOTOR
367	233D1148P001	BOMBA UNIFICADA
367	233D2229P001	BOMBA UNIFICADA
369	189D2645G002L	ENS. POLEA MOTOR
372	228C2112P001	ESPACIADOR MOTOR
372	253C1092P002	ESPACIADOR MOTOR
409	277B1244P001	LOGO MABE
454	323B2186P001	TORNILLO VALVULA
454	8911201P341	TORNILLO VALVULA
471	8911201P338	TORNILLO
487	323B2433P001	TORNILLO
492	323B1346P001	TORNILLO C/GROMET COPL
492	323B1346P004	TORNILLO C/GROMET COPL
501	323B2092P001	TORNILLO LID LOCK
502	323B2145P001	TORNILLO BOMBA
1052	323B2665P002	ABRAZADERA
1104	8911201P341	TORNILLO 8-18 X 7/16 AB FENIX
1112	8911238P041	TORNILLO FONDO CANASTA
1121	109B3403P052	TORNILLO
1122	323B2094P001	TORNILLO SUJECION



LAVADORA LME17400XBB00

Guía	Componente	Descripción
1123	323B2190P002	TORNILLO
1141	323B1193P001	TORNILLO
1145	323B2663P001	TORNILLO
1145	277B1126P001	TORNILLO
1147	8911200P283	TORNILLO 6-32 MCH FLP 340 SS