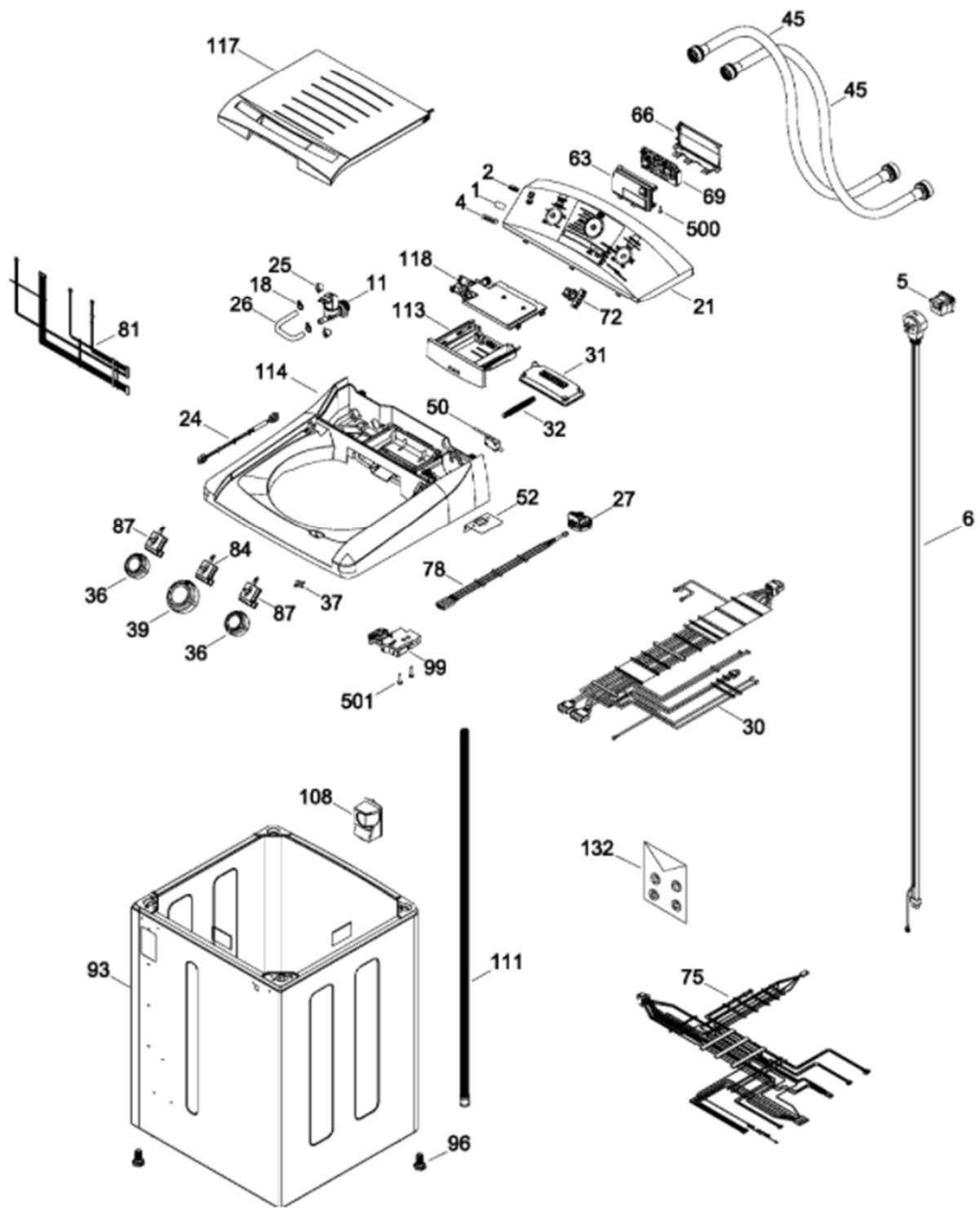


LAVADORA LMH18380PKBB0

SISTEMA ELECTRICO

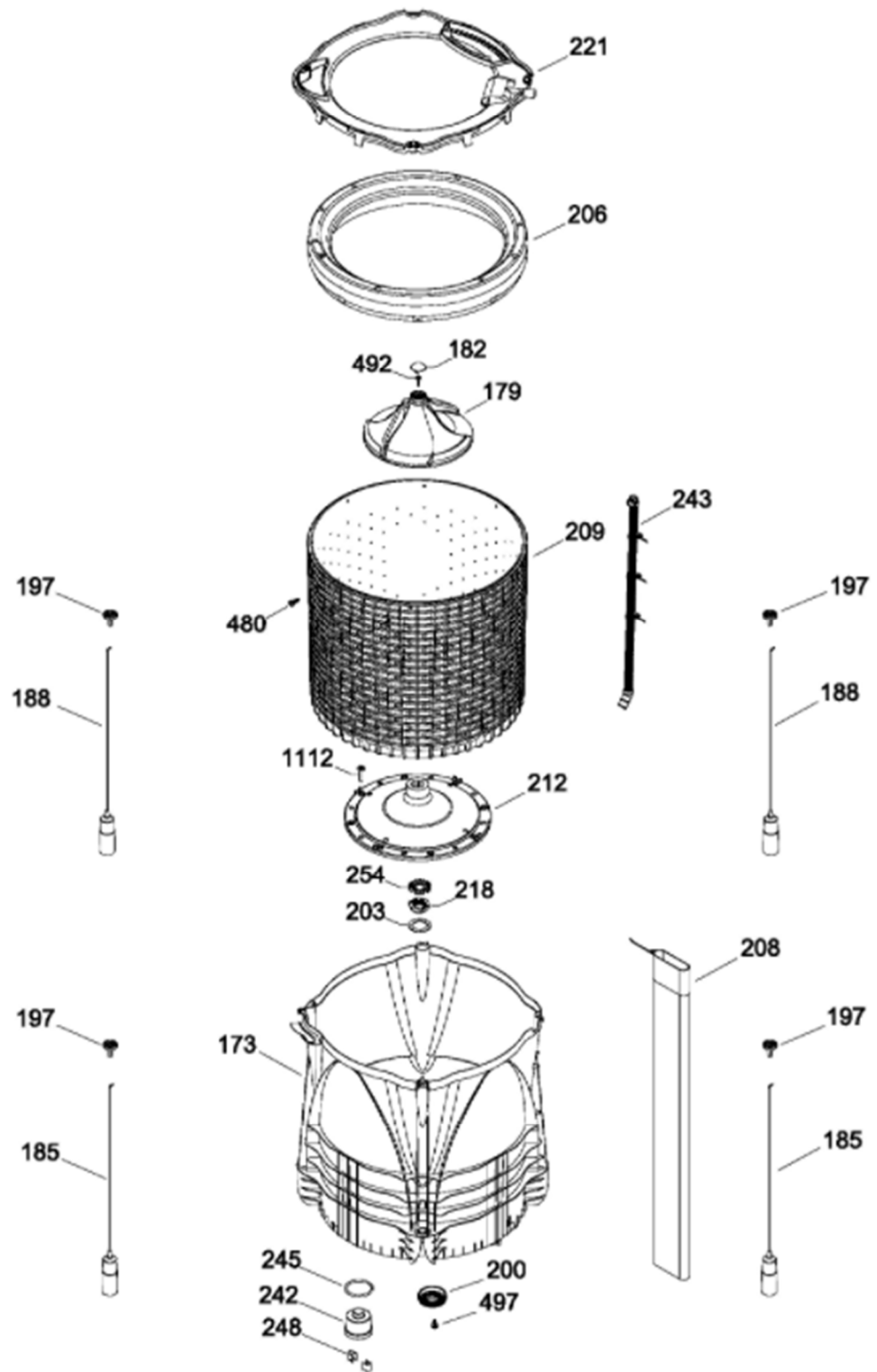
LMH18380PKBB0



LAVADORA LMH18380PKBB0

SISTEMA HIDRAULICO

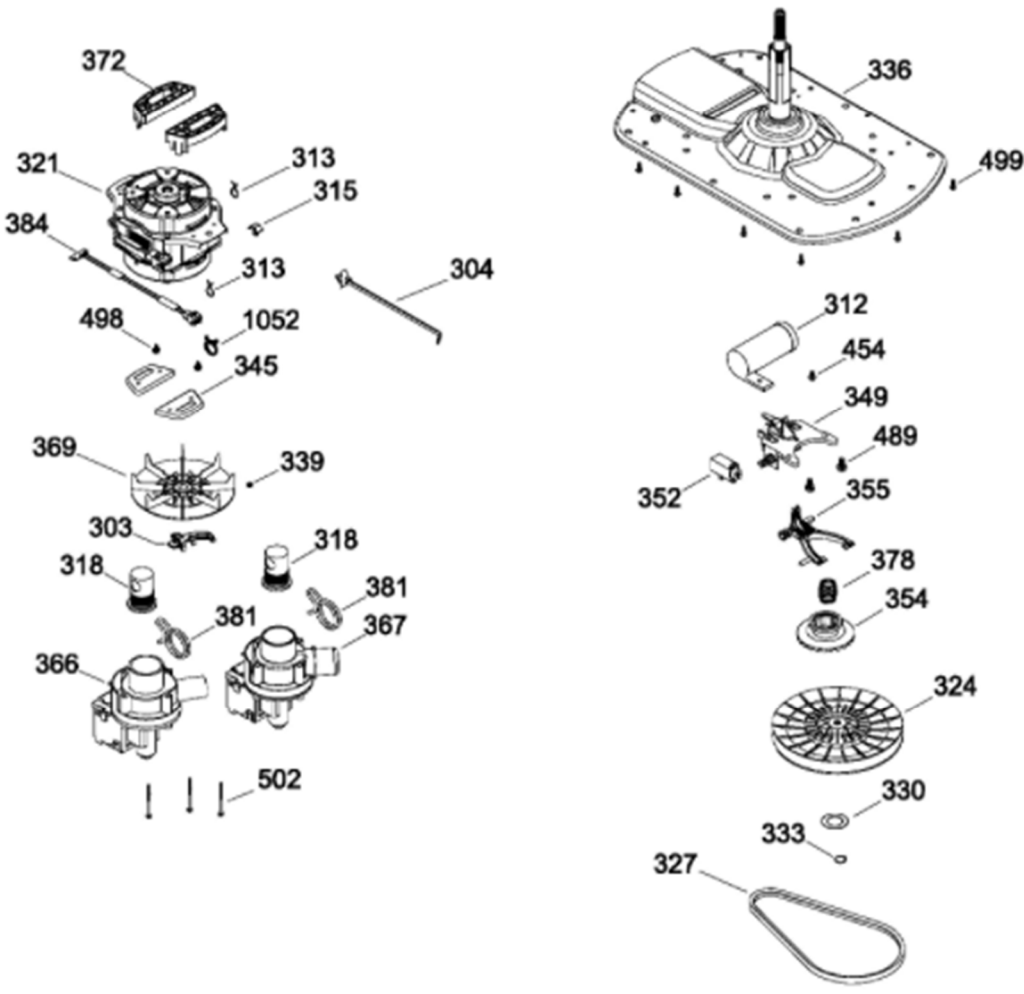
LMH18380PKBB0



LAVADORA LMH18380PKBB0

SISTEMA MECANICO

LMH18380PKBB0





LAVADORA LMH18380PKBB0

Guía	Refacción	Descripción
1	WW01L00326	LOGO 18KG MABE
2	WR01A00400	NAMEPLATE MABE
2	WR01A01249	NAMEPLATE MABE
4	WW01L00317	LOGO AQUA SAVER
5	WW01F00001	RELEVADOR DE ESFUERZOS
6	WW01F00823	CABLE TOMACORRIENTE
6	WW01F00114	CABLE TOMACORRIENTE
11	WW01F01106	VALVULA
11	WW01F00349	VALVULA
18	WW01A00002	ABRAZADERA
21	WW01L01314	COPETE Y GRAFICOS ENS(BCO)
24	WW01F00226	ARNES EXTENS.ION
25	WW01A00068	ABRAZADERA MANGUERA
26	WW01L00380	MANGUERA DESPACHADOR
26	WW01F00598	MANGUERA DESPACHADOR
27	WW01F00665	PRESOSTATO ELECTRONICO
30	WW01F00404	ARNES GABINETE
30	WW03F00120	ARNES GABINETE
31	WW01L00276	CAJA RECEPTORA CON SELLO
32	WW01L00275	MANGUERA CAJA RECEPTORA
36	WW01L00321	PERILLA ROTATORIA
37	WW01A00092	BUJE PERILLA
39	WW01L00318	ENS. PERILLA CONTROL
45	WW01L00500	MANGUERA
45	WW01F00597	MANGUERA
45	WW01F01987	MANGUERA
50	WW01F00282	INTERRUPTOR LIMITE
52	WW01A00054	SOPORTE METALICO
63	WW01L00268	PROTECTOR TARJETA
66	WW01L00267	PROTECTOR BASE TARJETA
69	WW01F01121	TARJETA TNT
72	WW01F00221	BOTON SELECTOR
72	WW01F00220	BOTON SELECTOR
75	WW01F00232	ARNES CUBIERTA
75	WW01F00400	ARNES CUBIERTA
78	WW01F00229	ARNES SENS.OR DE PRESION
81	WW01F00426	ARNES SELECTOR 3 PERILLAS



LAVADORA LMH18380PKBB0

Guía	Refacción	Descripción
84	WW01F00241	SELECTOR PROGRAMA
87	WW01F00338	SELECTOR 5 PROGRAMAS
93	WW01L00498	ENS. GABINETE
96	WW01L00468	PATA NIVELADORA
99	WW01A00055	BLOCAPUERTAS
99	WW01F01561	BLOCAPUERTAS
108	WW01L00491	TAPA MANGUERA
111	WW01L00316	MANGUERA
113	233D1185G019	ENSAMBLE CAJON
114	WW01L00303	CUBIERTA
117	WW01L00905	TAPA BLANCA ENS
118	WW01F00919	BASE DISPENS.ER MONTADA
118	WW01L00443	BASE DISPENS.ER MONTADA
118	WW01L00443	REGADERA Y VALVULA ENSAMBLE
132	WW01A00058	KIT ACCESORIOS
173	WW01L00273	TINA
179	WW03F00089	INFUSOR
179	WW03A00157	INFUSOR
182	WW01L00315	TAPA INFUSOR
185	WW01F00195	ENS. VARILLA
188	WW01F00196	ENS. VARILLA
197	WW01F00265	ROTULA
200	WW01L00471	SELLO TINA
200	WW02F00547	SELLO TINA
203	WW01A00080	ARANDELA
206	WW01L00949	ENS. ANILLO BALANCEO
206	WW01L01503	ENS. ANILLO BALANCEO
208	WW01A00034	ENS. GUIA SOBRENCHIMENTO
209	WW01L00044	CANASTA 12 KG
209	WW01L00044	CANASTA 12 KG
212	WW01L01015	FONDO CANASTA FLOTADOR
212	WW01L00449	FONDO CANASTA FLOTADOR
212	WW01A00572	FONDO CANASTA
218	WW01A00048	TUERCA AMAZ IZO.
221	WW01L00271	CUBIERTA TINA
242	WW01L00287	TAPON CAJA PRESOSTATO
243	WW01L00301	MANGUERA



LAVADORA LMH18380PKBB0

Guía	Refacción	Descripción
245	WW01F00277	O-RING
248	WW01A00079	CLIP TAPON PRESOSTATO
254	WW01F00347	EMBRAGUE FIJO
303	WW01A00046	SOPORTE TARJETA
303	WW01F01172	SOPORTE TARJETA
303	WW02F00224	SOPORTE TARJETA
304	WW01A00006	CINCHO ESPADA (BOMBA Y ARNES)
312	WW01F00242	CAPACITOR
313	WW01A00012	CINCHO
315	WW01L00338	BOTON MONTAJE
318	WW01L00295	SELLO BOMBA
321	WW01F00331	ENS. MOTOR
321	WW01F01173	ENS. MOTOR
324	WW01F00043	POLEA TRANSMISION
327	WW01F00345	BANDA UNIFICADA
327	WW01F00345	BANDA UNIFICADA
330	WW01A00071	ARANDELA DE FRICCION
333	WW01A00069	ANILLO DE RETENCION
336	WW01F01141	TRANSMISION Y SOPORTES ENS
336	WW01F00228	TRANSMISION Y SOPORTES ENS
339	WW01F00272	OPRESOR POLEA
345	WW01L00355	REFUERZO MOTOR
349	WW01A00032	SOPORTE HORQUILLA
352	WW01F00263	TERMOACTUADOR
354	WW01F00015	CAMBIADOR
355	WW01A00030	HORQUILLA CAMBIADOR
366	WW01F00348	BOMBA DRENADO 127V-60HZ
366	WW01F00348	BOMBA DRENADO 127V-60HZ
367	233D1148P001	BOMBA UNIFICADA
367	WW01F00267	BOMBA UNIFICADA
369	WW01L00082	POLEA MOTOR ENS
372	WW01F00256	ESPACIADOR MOTOR
372	WW01F00256	ESPACIADOR MOTOR
378	WW01A00053	RESORTE CAMBIADOR
381	WW01A00104	ABRAZADERA BOMBA
384	WW01F00362	TARJETA SENSOR
384	WW01F01172	TARJETA SENSOR



LAVADORA LMH18380PKBB0

Guía	Refacción	Descripción
384	WW02F00224	TARJETA SENSOR
454	WW01A00106	TORNILLO VALVULA
454	WW01A00097	TORNILLO VALVULA
480	WW01A00063	TORNILLO
489	WW01A00082	TORNILLO SOPORTE
492	WW01A00065	TORNILLO
497	WW01A00001	TORNILLO
498	WW01A00076	TORNILLO SUJECION
499	WW01A00084	TORNILLO
500	WW01A00097	TORNILLO 8-18 X 7/16 AB FENIX
501	WW01A00075	TORNILLO LID LOCK
502	WW01A00081	TORNILLO BOMBA
1052	WW01A00094	ABRAZADERA
1112	WW01A00099	TORNILLO FONDO CANASTA