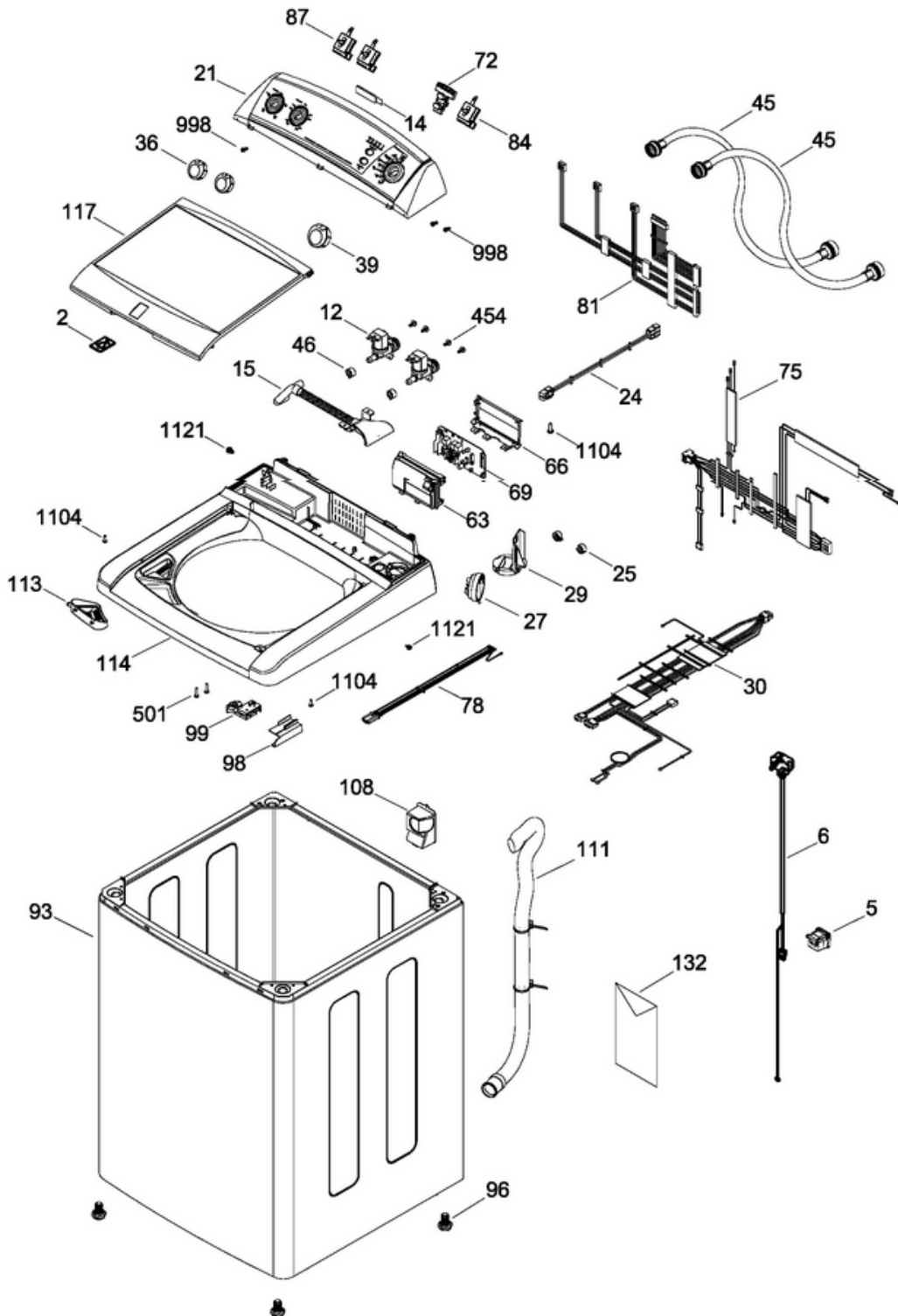


# LAVADORA LMH22186ZWGY00

COPETE / BACKSPLASH  
 GABINETE Y CUBIERTA / CABINET & COVER

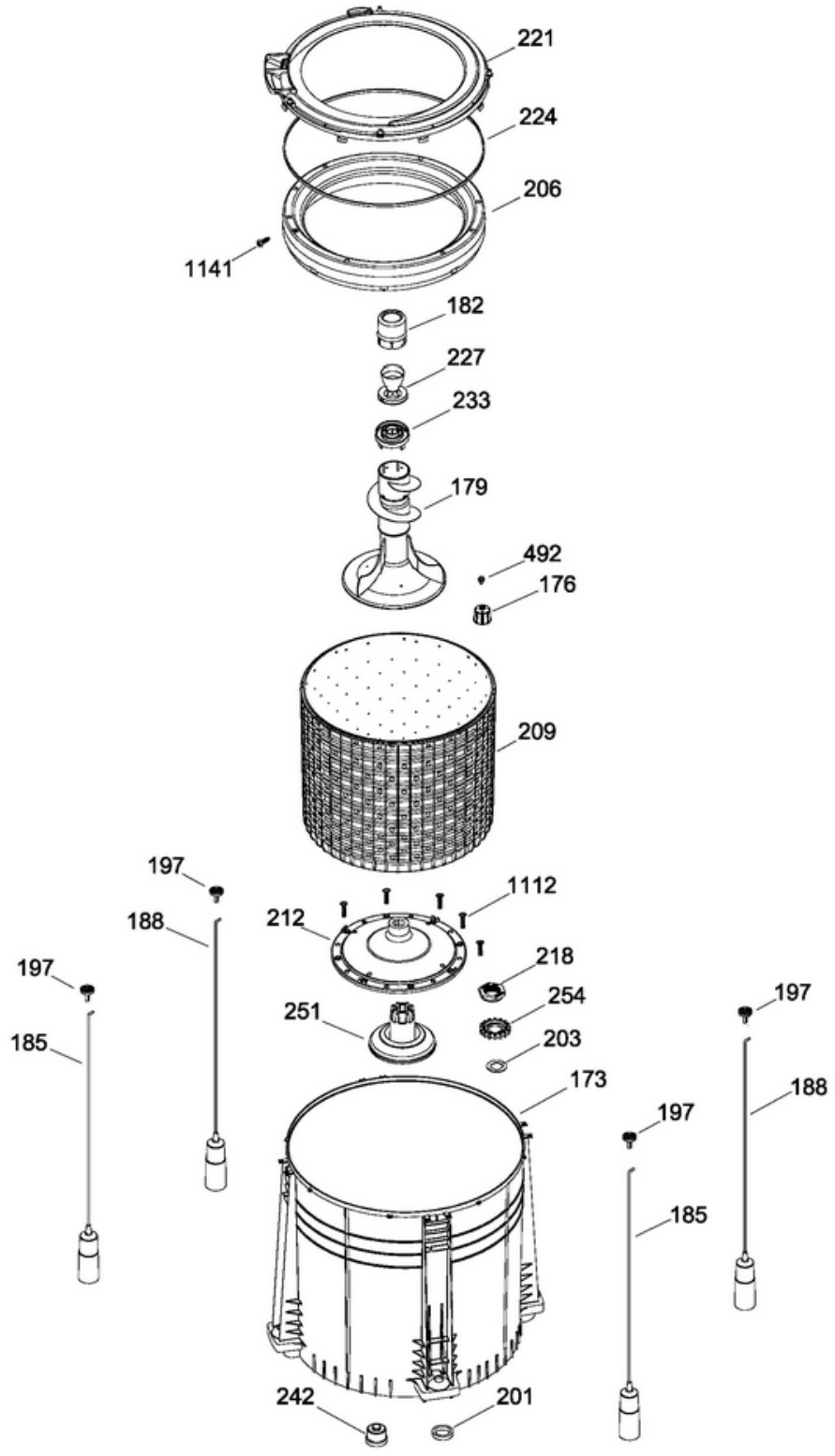
MLTZ12GGAWB20



# LAVADORA LMH22186ZWGY00

PARTES PARA TINA  
 TUB, BASKET & AGITATOR

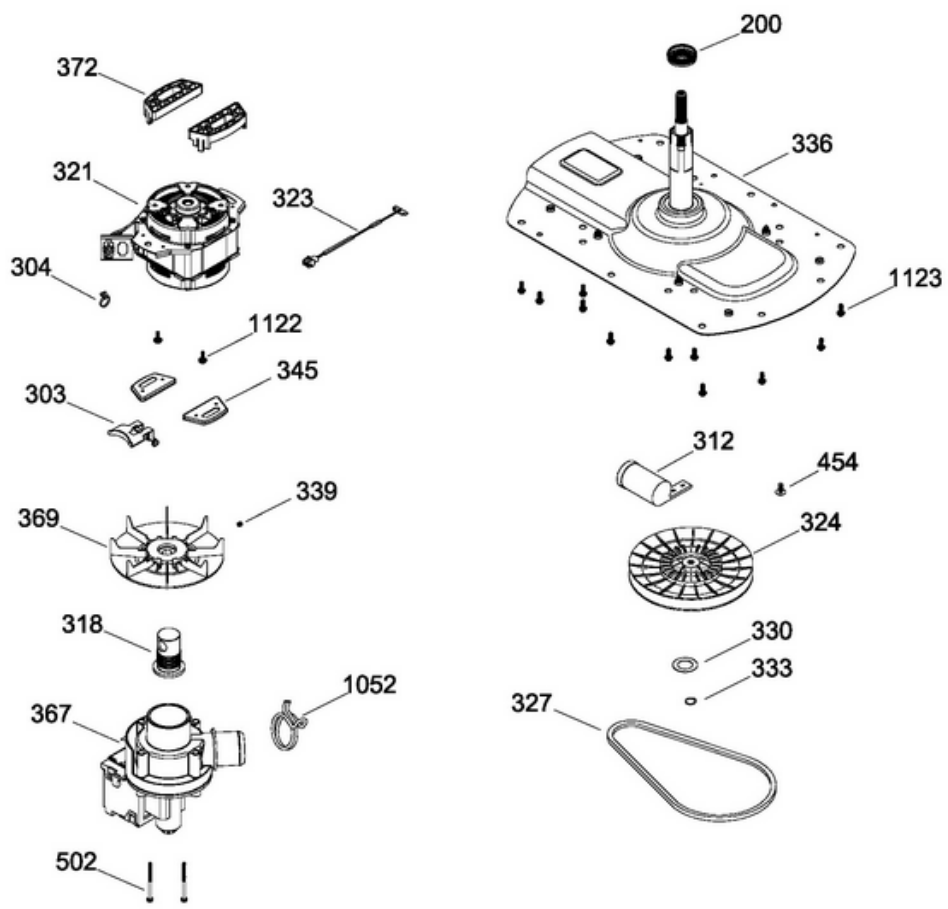
MLTZ12GGAWB20



# LAVADORA LMH22186ZWGY00

SISTEMA MOTRIZ  
 PUMP & DRIVE COMPONENTS

MLTZ12GGAWB20





# LAVADORA LMH22186ZWGY00

Guía	Refacción	Descripción
2	WW01A00563	PLACA AQUA SAVER
5	WW01F00001	RELEVADOR DE ESFUERZOS
6	WW01F00465	CABLE TOMACORRIENTE
12	WW01F00791	VALVULA
21	WW01L01414	ENSAMBLE COPETE E IML
21	WW01L01499	ENSAMBLE COPETE E IML
24	WW01F00226	ARNES EXTENS.ION
25	WW01A00068	ABRAZADERA MANGUERA
26	WW01F00598	MANGUERA
27	WW01F00663	PRESOSTATO
29	WW01A00308	SOPORTE PRESOSTATO
30	WW03F00120	ARNES GABINETE
31	WW01L00276	CAJA RECEPTORA CON SELLO
32	WW01L00275	MANGUERA CAJA RECEPTORA
34	WW01F01135	ARNES SERIAL
35	WW03A00086	CLIP CORDON
39	WW01L01126	PERILLA CENTRAL
45	WW01F00599	MANGUERA
45	WW01F01986	MANGUERA
46	WW01A00113	ABRAZADERA MANGUERA
50	WW01F00282	INTERRUPTOR LIMITE
52	WW01A00054	SOPORTE METALICO
63	WW01L00268	PROTECTOR TARJETA
66	WW01L00267	PROTECTOR BASE TARJETA
69	WW01F01604	TARJETA DE CONTROL
75	WW01F00400	ARNES CUBIERTA
78	WW01F00419	ARNES PRESOSTATO
91	WW01A00565	SOPORTE DERECHO
92	WW01A00566	SOPORTE IZQUIERDO
93	WW01L00492	ENS. GABINETE
96	WW01L00468	PATA NIVELADORA
99	WW01F01562	SEGURO TAPA
108	WW01L00491	TAPA MANGUERA
111	WW01L00316	MANGUERA
113	WW03L00075	CAJON DESPACHADOR ENS



# LAVADORA LMH22186ZWGY00

Guía	Refacción	Descripción
114	WW01L01422	CUBIERTA GRAFITO
114	WW01L01490	CUBIERTA GRAFITO
116	WW01F00684	SIFON
117	WW01L01405	ENS. TAPA
118	WW01L00444	REGALDERA ENSAMBLE
118	WW01F00918	REGALDERA ENSAMBLE
123	WW01F00685	SIFON CUADRADO
124	WW01L00514	CAJON DESPACHADOR
124	WW01L00514	CAJON DESPACHADOR
124	WW01L01438	CAJON DESPACHADOR
125	WW01A00160	CLIP DESPACHADOR
127	WW01L00776	PARED DESPACHADOR
129	WW01A00295	SELLO REGADERA
132	WW01A00058	KIT ACCESORIOS
144	WW01F01130	REGADERA MULTIPLE ENS
146	WW03L00076	MASCARA GRAFICOS ENS
151	WW01F00796	VALVULA ENT 3 VIAS
173	WW01L00273	TINA
175	WW03L00037	PARCHE IMPACTO
175	WW03L00037	PARCHE IMPACTO
179	WW03F00323	INFUSOR
179	WW01F01657	INFUSOR
185	WW01F00195	ENS. VARILLA
188	WW01F00196	ENS. VARILLA
197	WW01F00265	ROTULA
200	WW01L00471	SELLO TINA
200	WW02F00547	SELLO TINA
201	WW03F00128	GASKET
203	WW01A00556	ARANDELA PLANA NUEVA
206	WW01L00017	ARO DE BALANCE ENS
208	WW01A00034	ENS. GUIA SOBRENCHIMENTO
209	WW01L01390	CANASTA ACERO INOXIDABLE
209	NLA	CANASTA ACERO INOXIDABLE
210	WW01L00270	FONDO PLASTICO
212	WW01L01362	FONDO DE ALUMINIO



# LAVADORA LMH22186ZWGY00

Guía	Refacción	Descripción
217	WW01L00300	TAPA PROPELA
217	WW01L01505	TAPA PROPELA
218	WW01A00048	TUERCA AMAZ IZQ.
221	WW01L00271	CUBIERTA TINA
242	WW01F01152	TAPON TUBO PRESOSTATO
242	WW01F01152	TAPON TUBO PRESOSTATO
242	WW01F01152	TAPON TUBO PRESOSTATO
243	WW01L00301	MANGUERA
265	WW01A00536	INSERTO INFUSOR PARA TORNILLO
303	WW01F01172	SOPORTE TARJETA SENSOR
304	WW01A00006	CINCHO ESPADA (BOMBA Y ARNES)
312	WW01F00343	CAPACITOR
318	WW01L00295	SELLO BOMBA
321	WW03F00115	MOTOR UNIFICADO 220/50
323	WW02F00224	TARJETA SENSOR
324	WW01F00043	POLEA TRANSMISION
327	WW01F00345	BANDA UNIFICADA
327	WW01F00345	BANDA UNIFICADA
330	WW01A00071	ARANDELA DE FRICCION
333	WW01A00069	ANILLO DE RETENCION
336	WW01F00228	TRANSMISION
339	WW01F00272	OPRESOR POLEA
345	WW01L00355	REFUERZO MOTOR
349	WW01A00032	SOPORTE HORQUILLA
352	WW01F00263	TERMOACTUADOR
354	WW01F00015	CAMBIADOR
355	WW01A00030	HORQUILLA CAMBIADOR
366	WW01F00455	BOMBA
366	WW01F00455	BOMBA
367		BOMBA UNIFICADA 220-50
369	WW01F00651	POLEA MOTOR ENS
372	WW01F00256	ESPACIADOR MOTOR
372	WW01F00256	ESPACIADOR MOTOR
378	WW01A00053	RESORTE CAMBIADOR
381	WW01A00104	ABRAZADERA BOMBA



## LAVADORA LMH22186ZWGY00

Guía	Refacción	Descripción
454	WW01A00106	TORNILLO VALVULA
454	WW01A00097	TORNILLO VALVULA
459	WW01A00093	TORNILLO FONDO CANASTA
487	WW01A00089	TORNILLO
492	WW01A00064	TORNILLO C/GROMET COPLE
492	WW01A00064	TORNILLO C/GROMET COPLE
502	WW01A00081	TORNILLO BOMBA
512	WW01A00330	TORNILLO VALVULA
1052	WW01A00094	ABRAZADERA
1104	WW01A00097	TORNILLO 8-18 X 7/16 AB FENIX
1113	WW01A00082	TORNILLO SOPORTE
1121	WW01A00001	TORNILLO
1122	WW01A00076	TORNILLO SUJECION
1123	WW01A00084	TORNILLO
1133	WW01A00012	CINCHO
1141	WW01A00063	TORNILLO